



32U Series

DFK 32AUVR024

- AR0234CS CMOS Sensor
- 0.4 MP
- USB3 Vision / UVC compliant
- Trigger and I/Os
- C/CS mount



The 32U series camera DFK 32AUVR024 with a onsemi AR0234CS sensor delivers 89 frames per second with a resolution of 744x480 (0.4 MP).

32U Series: Building on the foundation of our popular One4All cameras, these next-generation USB 2.0 industrial cameras offer modern camera architecture while preserving the simplicity and affordability of the legacy One4All series.

The USB3 Vision standard allows for rapid integration into new and existing applications via The Imaging Source's [IC Imaging Control 4 SDK](#) as well as most other third-party image processing libraries.

Note: This Data Sheet is intended to provide a summary overview for an individual camera model. The Imaging Source's website also offers information on spectral sensitivity, dimensional diagrams, sensor data sheets, STEP files as well as our full product catalog. For comprehensive technical information, please refer to the Technical Reference Manual specific to each camera model.

www.theimagingsource.com



1 Quick Facts

General	
Vision Standard	USB3 Vision (UVC compliant)
Dynamic Range	10 bit
Resolution	744x480
Frame Rate at Full Resolution	89

Optical Interface	
IR-Cut filter	Yes
Sensor Type	onsemi AR0234CS
Shutter Type	Global
Sensor Format	1/3 inch
Pixel Size	6.0 μm (binned from raw 3.0 μm)
Lens Mount	C/CS

Electrical Interface	
Interface	USB 2
Supply Voltage	4.75 VDC to 5.25 VDC
Current Consumption	approx 220 mA @ 5 VDC

Mechanical Data	
Dimensions	H: 36 mm, W: 36 mm, L: 25 mm
Mass	70 g

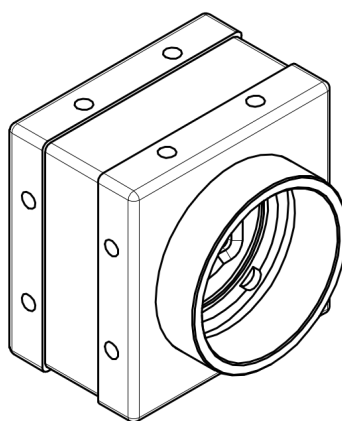
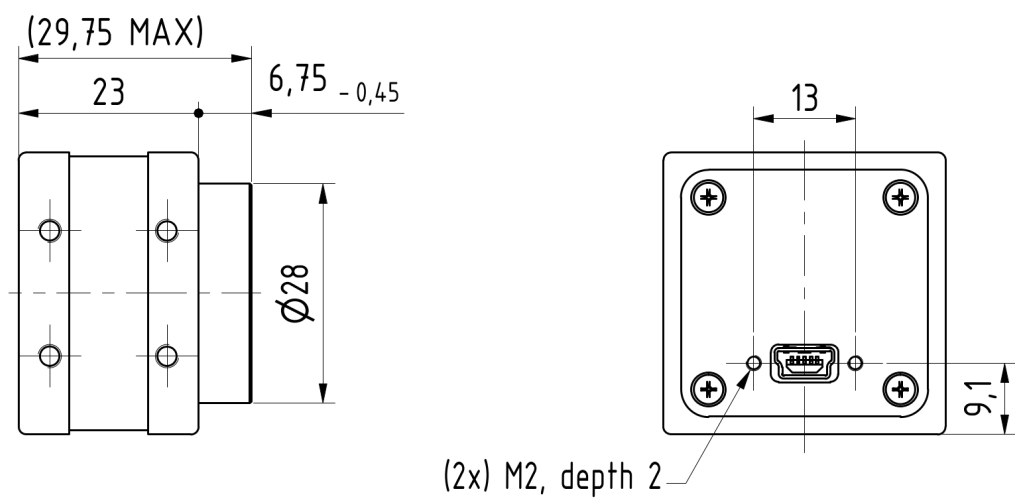
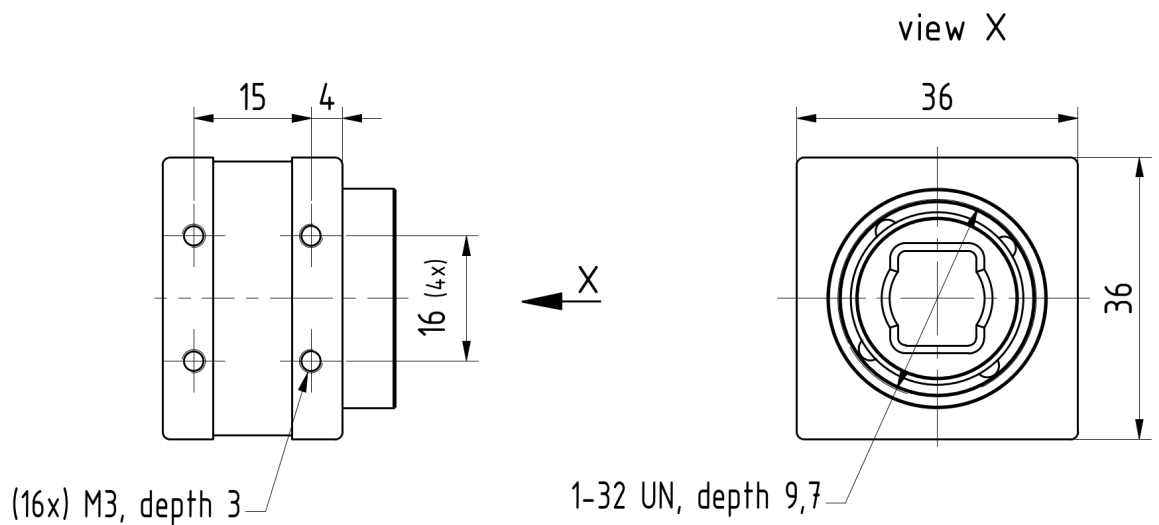
Environmental Conditions	
Housing Temperature (operating)	-5 °C to 50 °C
Temperature (storage)	-20 °C to 80 °C
Humidity (operating)	20 % to 80 % (non-condensing)
Humidity (storage)	20 % to 95 % (non-condensing)



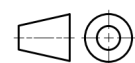
Dimensional Diagrams

2 Dimensional Diagrams

2.1 DFK 32AUVR024 C-Mount without Tripod Adapter



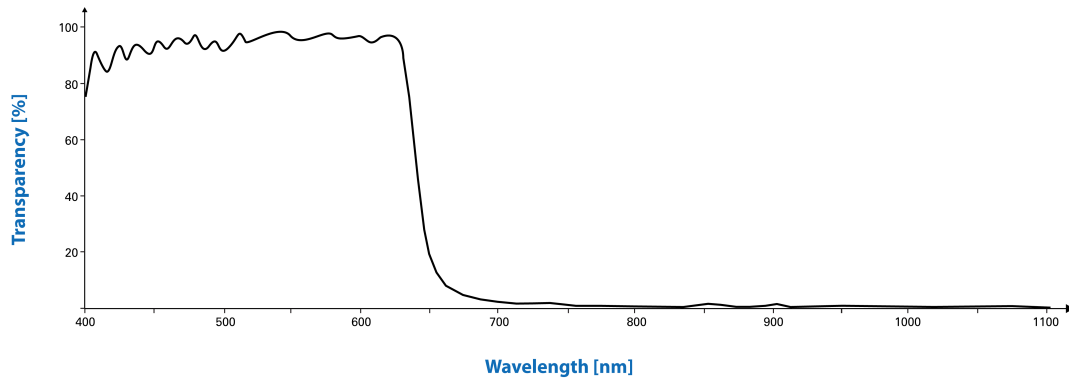
Scale: 1 : 1
Dimensions: mm
Tolerances: DIN ISO 2768-f
154-13-92-00-00





3 Spectral Characteristics

3.1 IR-Cut Filter



3.2 Spectral Sensitivity - AR0234CS

