



## 33U Series

### DFK 33UX252

- IMX252 CMOS Pregius Sensor
- 3.1 MP
- USB3 Vision / UVC compliant
- Trigger and I/Os
- C/CS mount



The 33U series camera DFK 33UX252 with a Sony IMX252 sensor delivers 120 frames per second with a resolution of 2048x1536 (3.1 MP).

33U Series: The Imaging Source's largest selection of industrial cameras offers developers and integrators a broad selection of resolutions (up to 20 MP) and frame rates to meet diverse application needs and are ideal for continuous operation in industrial environments. The cameras' USB 3 interface (Micro-B connector) ensures efficient data transfer with high frame rates.

The USB3 Vision standard allows for rapid integration into new and existing applications via The Imaging Source's [IC Imaging Control 4 SDK](#) as well as most other third-party image processing libraries.

Note: This Data Sheet is intended to provide a summary overview for an individual camera model. The Imaging Source's website also offers information on spectral sensitivity, dimensional diagrams, sensor data sheets, STEP files as well as our full product catalog. For comprehensive technical information, please refer to the Technical Reference Manual specific to each camera model.

[www.theimagingsource.com](http://www.theimagingsource.com)



## 1 Quick Facts

General	
Vision Standard	USB3 Vision (UVC compliant)
Dynamic Range	12 bit
Resolution	2048x1536
Frame Rate at Full Resolution	120

Optical Interface	
IR-Cut filter	Yes
Sensor Type	Sony IMX252LQR-C
Shutter Type	Global
Sensor Format	1/1.8 inch
Pixel Size	3.45 $\mu\text{m}$
Lens Mount	C/CS

Electrical Interface	
Interface	USB 3.0
Supply Voltage	4.75 VDC to 5.25 VDC
Current Consumption	approx 720 mA @ 5 VDC
I/O Connector	12-pin connector for trigger and strobe or general purpose input/output

Mechanical Data	
Dimensions	H: 29 mm, W: 29 mm, L: 43 mm
Mass	65 g

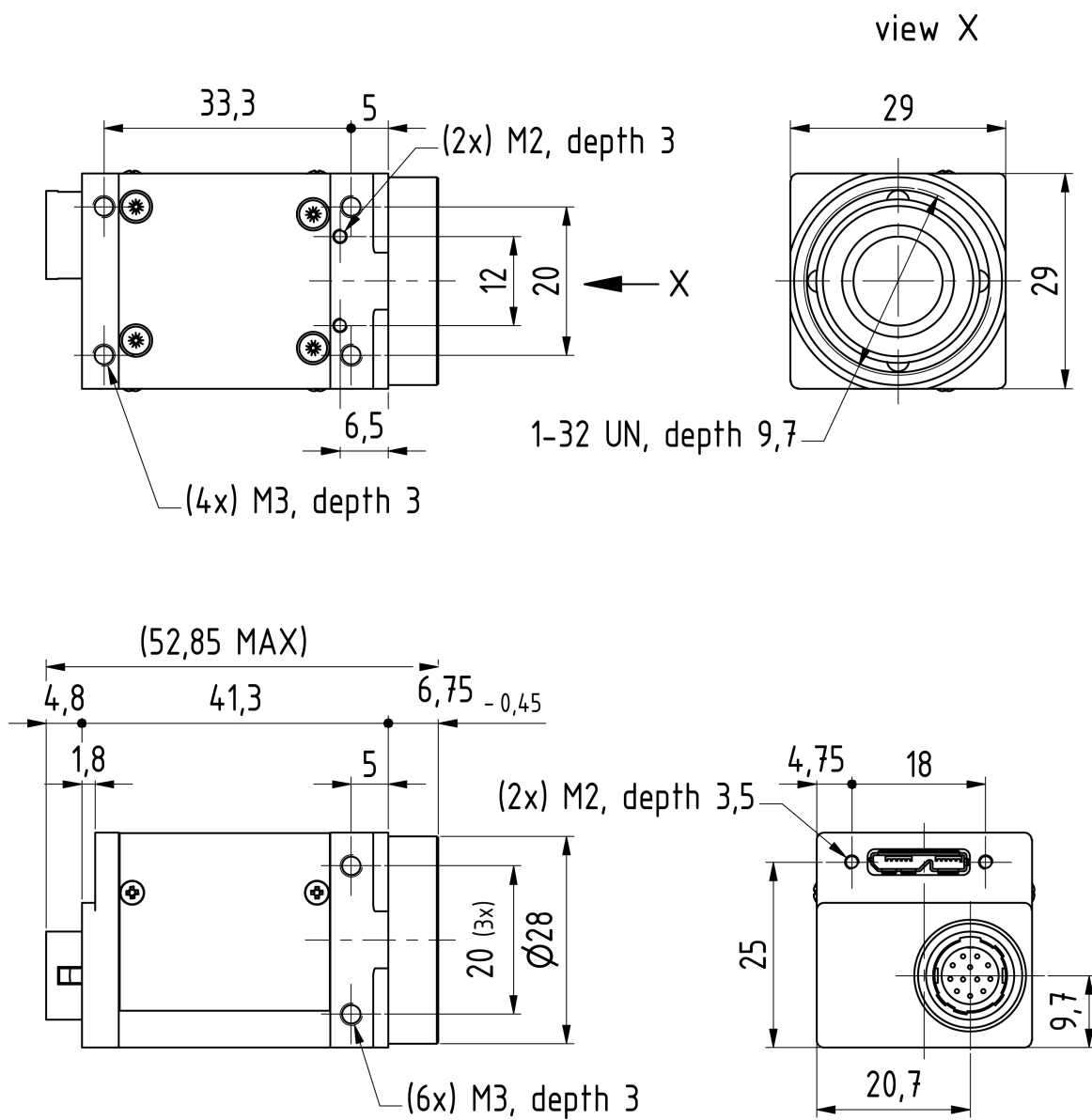
Environmental Conditions	
Housing Temperature (operating)	-5 °C to 50 °C
Temperature (storage)	-20 °C to 80 °C
Humidity (operating)	20 % to 80 % (non-condensing)
Humidity (storage)	20 % to 95 % (non-condensing)



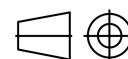
# Dimensional Diagrams

## 2 Dimensional Diagrams

### 2.1 DFK 33UX252 C-Mount without Tripod Adapter



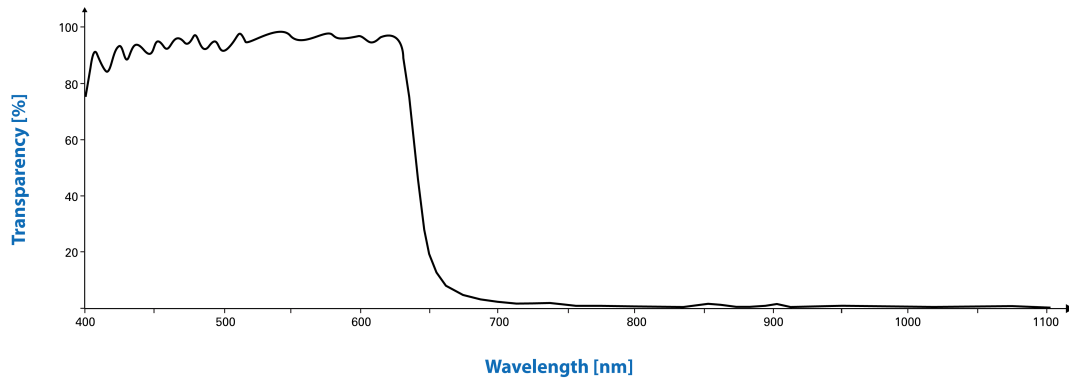
Dimensions: mm  
Tolerances: DIN ISO 2768-f





## 3 Spectral Characteristics

### 3.1 IR-Cut Filter



### 3.2 Spectral Sensitivity - IMX252LQR-C

Sensor: Sony IMX250/252/264/265 - courtesy of Sony Deutschland GmbH

