



## 38U Series

### DFK 38UX267

- IMX267 CMOS Pregius Sensor
- 8.8 MP
- USB3 Vision / UVC compliant
- Trigger and I/Os
- C mount



The 38U series camera DFK 38UX267 with a Sony IMX267 sensor delivers 35 frames per second with a resolution of 4096x2160 (8.8 MP).

With resolutions up to 24.5 MP, the 38U Series industrial cameras deliver high resolution and exceptional image quality for demanding manufacturing and factory automation applications. 38U Series cameras combine USB's superior data transfer rates with advanced feature sets including USB-C connector, external trigger control, advanced readout functions as well as image and color processing.

The USB3 Vision standard allows for rapid integration into new and existing applications via The Imaging Source's [IC Imaging Control 4 SDK](#) as well as most other third-party image processing libraries.

Note: This Data Sheet is intended to provide a summary overview for an individual camera model. The Imaging Source's website also offers information on spectral sensitivity, dimensional diagrams, sensor data sheets, STEP files as well as our full product catalog. For comprehensive technical information, please refer to the Technical Reference Manual specific to each camera model.

[www.theimagingsource.com](http://www.theimagingsource.com)



## 1 Quick Facts

General	
Vision Standard	USB3 Vision (UVC compliant)
Dynamic Range	12 bit
Resolution	4096x2160
Frame Rate at Full Resolution	35

Optical Interface	
IR-Cut filter	Yes
Sensor Type	Sony IMX267LQR-C
Shutter Type	Global
Sensor Format	1 inch
Pixel Size	3.45 $\mu\text{m}$
Lens Mount	C (CS optional)

Electrical Interface	
Interface	USB 3.1gen1
Supply Voltage	4.75 VDC to 5.25 VDC
Current Consumption	approx 800 mA @ 5 VDC
I/O Connector	12-pin connector for trigger and strobe or general purpose input/output

Mechanical Data	
Dimensions	H: 29 mm, W: 44 mm, L: 60 mm
Mass	110 g

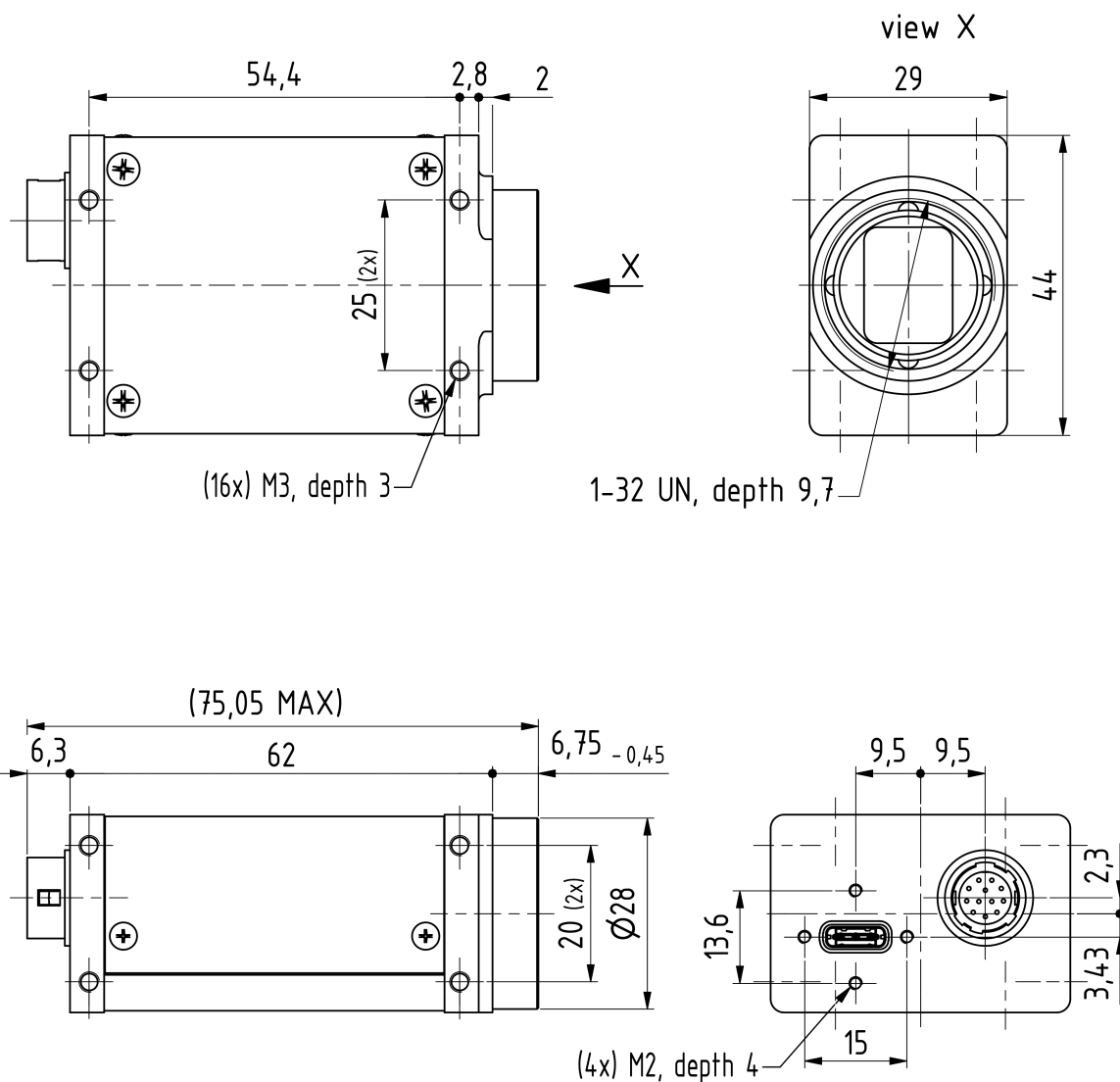
Environmental Conditions	
Housing Temperature (operating)	-5 °C to 50 °C
Temperature (storage)	-20 °C to 80 °C
Humidity (operating)	20 % to 80 % (non-condensing)
Humidity (storage)	20 % to 95 % (non-condensing)



# Dimensional Diagrams

## 2 Dimensional Diagrams

### 2.1 DFK 38UX267 C-Mount without Tripod Adapter



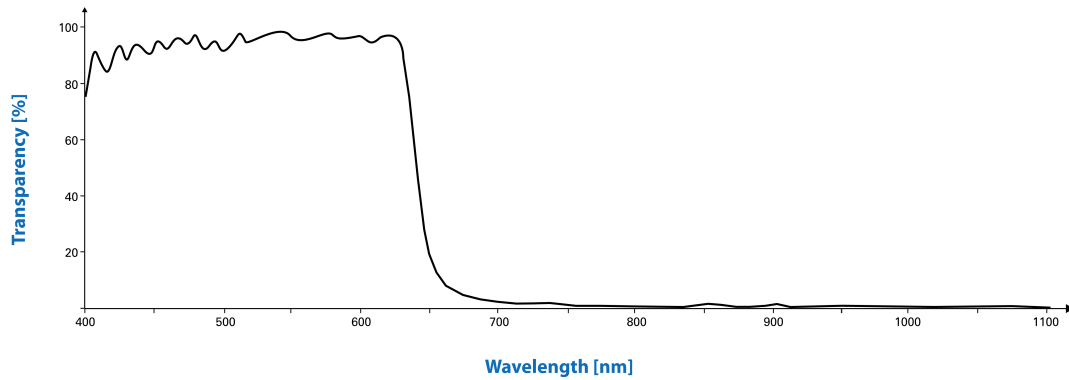
Dimensions: mm  
Tolerances: DIN ISO 2768-f





## 3 Spectral Characteristics

### 3.1 IR-Cut Filter



### 3.2 Spectral Sensitivity - IMX267LQR-C

