



39G Series

DFK 39GX548-Z20

- IMX548 CMOS Pregius S Sensor
- 5 MP
- GigE Vision compliant
- Trigger and I/Os
- 20X Zoom Lens



The 39G series camera DFK 39GX548-Z20 with a Sony IMX548 sensor delivers 24 frames per second with a resolution of 2448x2048 (5 MP).

The Imaging Source's Z Series optical zoom cameras feature an integrated motorized lens providing users with full software control over focal length, aperture, and focus—ideal for dynamic environments where working distances, field of view, and lighting conditions frequently change. The GigE interface allows for extended cable lengths (up to 100 m) without sacrificing image quality or performance.

The GigE Vision standard allows for rapid integration into new and existing applications via The Imaging Source's [IC Imaging Control 4 SDK](#) as well as most other third-party image processing libraries.

Note: This Data Sheet is intended to provide a summary overview for an individual camera model. The Imaging Source's website also offers information on spectral sensitivity, dimensional diagrams, sensor data sheets, STEP files as well as our full product catalog. For comprehensive technical information, please refer to the Technical Reference Manual specific to each camera model.

www.theimagingsource.com



1 Quick Facts

General	
Vision Standard	GigE Vision
Dynamic Range	12 bit
Resolution	2448x2048
Frame Rate at Full Resolution	24

Optical Interface	
IR-Cut filter	Yes (removable)
Sensor Type	Sony IMX548-AAQJ-C
Shutter Type	Global
Sensor Format	1/1.8 inch
Pixel Size	2.74 μm

Integrated Lens	
Focal Length	6.8 mm (wide) to 136 mm (tele)
Minimal Object Distance	1 cm (wide) to 90 cm (tele)
Iris	F1.5 (wide) to F3.4 (tele)

Electrical Interface	
Interface	GigE
Supply Voltage	9 VDC to 27 VDC or PoE: 48 VDC to 56 VDC
Current Consumption	approx 400 mA @ 12 VDC
I/O Connector	6-pin connector for power supply, trigger and strobe or general purpose input/output

Mechanical Data	
Dimensions	H: 71 mm, W: 71 mm, L: 147 mm
Mass	691 g



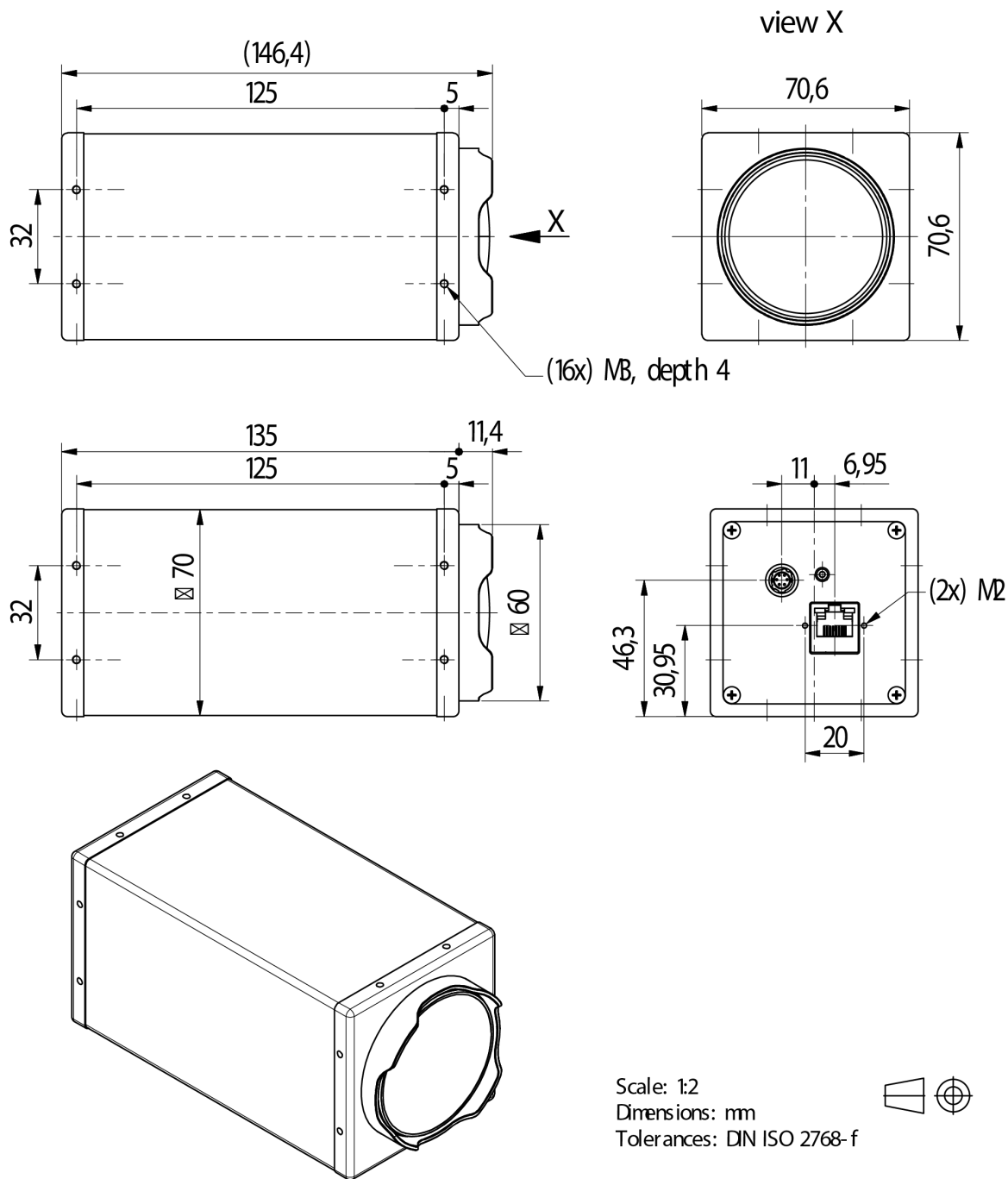
Environmental Conditions	
Housing Temperature (operating)	-5 °C to 45 °C
Temperature (storage)	-20 °C to 60 °C
Humidity (operating)	20 % to 80 % (non-condensing)
Humidity (storage)	20 % to 95 % (non-condensing)



Dimensional Diagrams

2 Dimensional Diagrams

2.1 DFK 39GX548-Z20 Zoom Camera without Tripod Adapter





3 Spectral Characteristics

3.1 Spectral Sensitivity - IMX548-AAQJ-C

