

32U Series

DFM 32UR0234-ML

- AR0234CS CMOS Sensor
- 2.3 MP
- USB3 Vision / UVC compliant
- Trigger and I/Os
- M12x0.5 mount



The 32U series camera DFM 32UR0234-ML with a onsemi AR0234CS sensor delivers 13 frames per second with a resolution of 1920x1200 (2.3 MP).

32U Series: These next-generation USB 2.0 board-level cameras offer modern camera architecture and are designed for cost-sensitive OEM and streamlined image processing tasks. The cameras feature onsemi sensors and offer a variety of connector options for maximum flexibility in a wide range of space-constrained applications.

The USB3 Vision standard allows for rapid integration into new and existing applications via The Imaging Source's [IC Imaging Control 4 SDK](#) as well as most other third-party image processing libraries.

Note: This Data Sheet is intended to provide a summary overview for an individual camera model. The Imaging Source's website also offers information on spectral sensitivity, dimensional diagrams, sensor data sheets, STEP files as well as our full product catalog. For comprehensive technical information, please refer to the Technical Reference Manual specific to each camera model.

www.theimagingsource.com



1 Quick Facts

General	
Vision Standard	USB3 Vision (UVC compliant)
Dynamic Range	10 bit
Resolution	1920x1200
Frame Rate at Full Resolution	13

Optical Interface	
IR-Cut filter	No
Sensor Type	onsemi AR0234CS
Shutter Type	Global
Sensor Format	1/2.6 inch
Pixel Size	3.0 μm
Lens Mount	M12x0.5

Electrical Interface	
Interface	USB 2
Supply Voltage	4.75 VDC to 5.25 VDC
Current Consumption	approx 270 mA @ 5 VDC

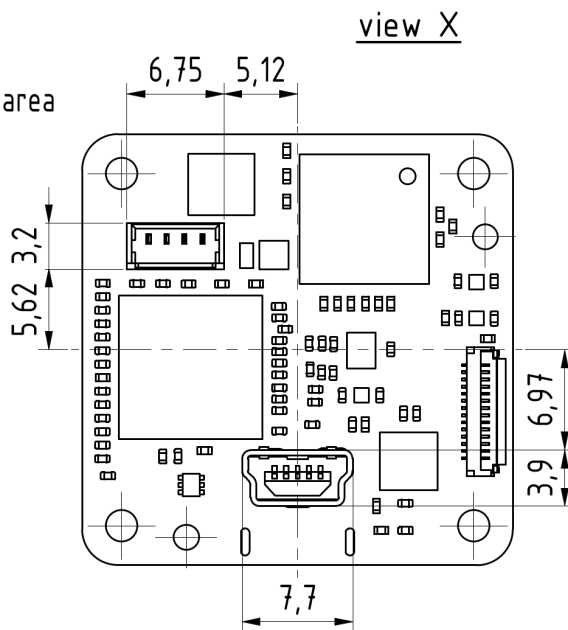
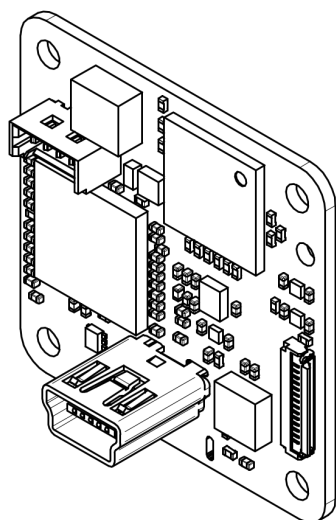
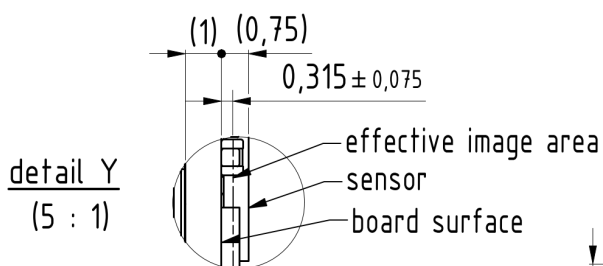
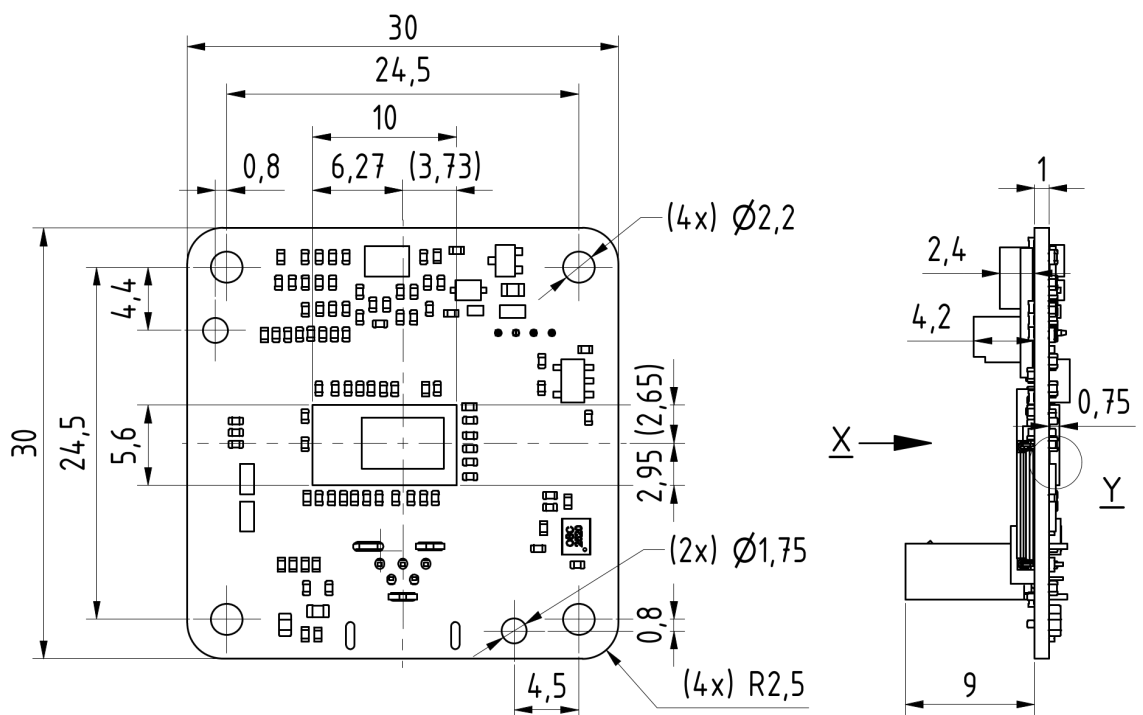
Mechanical Data	
Dimensions	H: 30 mm, W: 30 mm, L: 15 mm
Mass	7 g

Environmental Conditions	
Temperature (operating)	-5 °C to 45 °C
Temperature (storage)	-20 °C to 60 °C
Humidity (operating)	20 % to 80 % (non-condensing)
Humidity (storage)	20 % to 95 % (non-condensing)



2 Dimensional Diagrams

2.1 DFM 32UR0234-ML



Scale: 2 : 1
 Dimensions: mm
 Tolerances: DIN ISO 2768-f
 DxM 32UR0234-ML





3 Spectral Characteristics

3.1 Spectral Sensitivity - AR0234CS

