



33G Series

DMK 33GR0134

- AR0134 CMOS Sensor
- 1.2 MP
- GigE Vision compliant
- Trigger and I/Os
- C/CS mount



The 33G series camera DMK 33GR0134 with a onsemi AR0134 sensor delivers 70 frames per second with a resolution of 1280x960 (1.2 MP).

33G Series: The Imaging Source's largest selection of industrial cameras offers developers and integrators a broad selection of resolutions (up to 20 MP) and frame rates to meet diverse application needs and are ideal for continuous operation in industrial environments. The cameras' GigE interface allows for extended cable lengths (up to 100 m) without sacrificing image quality or performance.

The GigE Vision standard allows for rapid integration into new and existing applications via The Imaging Source's [IC Imaging Control 4 SDK](#) as well as most other third-party image processing libraries.

Note: This Data Sheet is intended to provide a summary overview for an individual camera model. The Imaging Source's website also offers information on spectral sensitivity, dimensional diagrams, sensor data sheets, STEP files as well as our full product catalog. For comprehensive technical information, please refer to the Technical Reference Manual specific to each camera model.

www.theimagingsource.com



1 Quick Facts

General	
Vision Standard	GigE Vision
Dynamic Range	12 bit
Resolution	1280x960
Frame Rate at Full Resolution	70

Optical Interface	
IR-Cut filter	No
Sensor Type	onsemi AR0134
Shutter Type	Global
Sensor Format	1/3 inch
Pixel Size	3.75 μm
Lens Mount	C/CS

Electrical Interface	
Interface	GigE
Supply Voltage	11 VDC to 13 VDC or PoE: 48 VDC to 56 VDC
Current Consumption	approx 400 mA @ 12 VDC
I/O Connector	6-pin connector for power supply, trigger and strobe or general purpose input/output

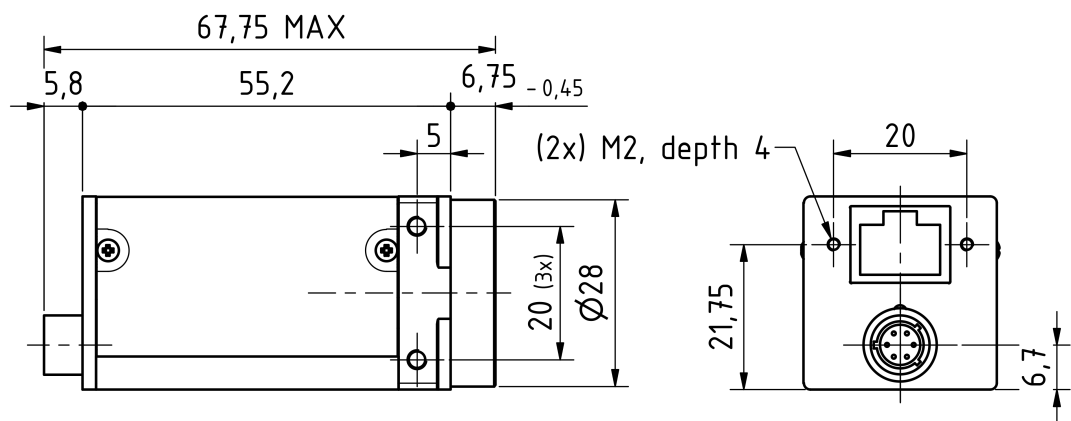
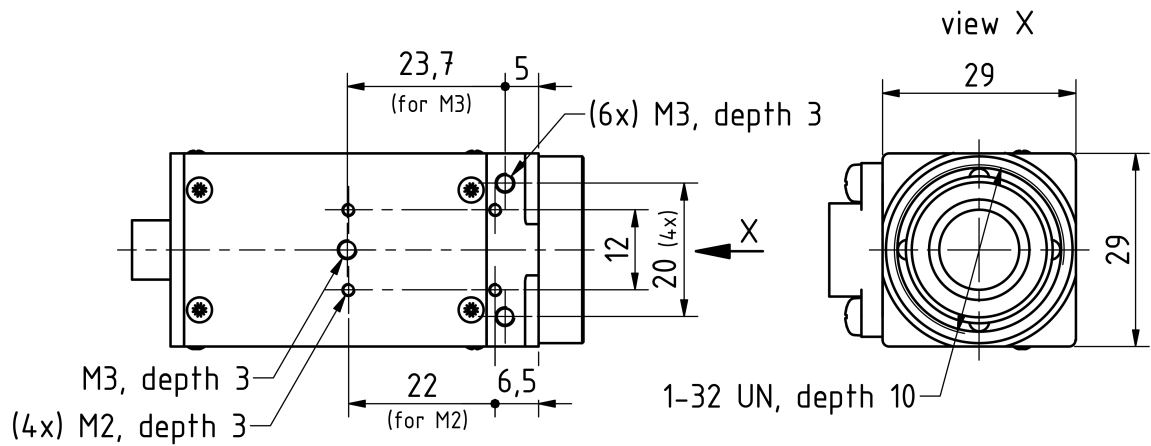
Mechanical Data	
Dimensions	H: 29 mm, W: 29 mm, L: 57 mm
Mass	65 g

Environmental Conditions	
Housing Temperature (operating)	-5 °C to 50 °C
Temperature (storage)	-20 °C to 80 °C
Humidity (operating)	20 % to 80 % (non-condensing)
Humidity (storage)	20 % to 95 % (non-condensing)

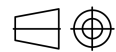


2 Dimensional Diagrams

2.1 DMK 33GR0134 C-Mount without Tripod Adapter



Dimensions: mm
Tolerances: DIN ISO 2768m





3 Spectral Characteristics

3.1 Spectral Sensitivity - AR0134

