



## 33U Series

### DMK 33UP1300

- PYTHON 1300 CMOS Python Sensor
- 1.3 MP
- USB3 Vision / UVC compliant
- Trigger and I/Os
- C/CS mount



The 33U series camera DMK 33UP1300 with a onsemi PYTHON 1300 sensor delivers 210 frames per second with a resolution of 1280x1024 (1.3 MP).

33U Series: The Imaging Source's largest selection of industrial cameras offers developers and integrators a broad selection of resolutions (up to 20 MP) and frame rates to meet diverse application needs and are ideal for continuous operation in industrial environments. The cameras' USB 3 interface (Micro-B connector) ensures efficient data transfer with high frame rates.

The USB3 Vision standard allows for rapid integration into new and existing applications via The Imaging Source's [IC Imaging Control 4 SDK](#) as well as most other third-party image processing libraries.

Note: This Data Sheet is intended to provide a summary overview for an individual camera model. The Imaging Source's website also offers information on spectral sensitivity, dimensional diagrams, sensor data sheets, STEP files as well as our full product catalog. For comprehensive technical information, please refer to the Technical Reference Manual specific to each camera model.

[www.theimagingsource.com](http://www.theimagingsource.com)



## 1 Quick Facts

<b>General</b>	
Vision Standard	USB3 Vision (UVC compliant)
Dynamic Range	10 bit
Resolution	1280x1024
Frame Rate at Full Resolution	210

<b>Optical Interface</b>	
IR-Cut filter	No
Sensor Type	onsemi P1300
Shutter Type	Global
Sensor Format	1/2 inch
Pixel Size	4.8 $\mu\text{m}$
Lens Mount	C/CS

<b>Electrical Interface</b>	
Interface	USB 3.0
Supply Voltage	4.75 VDC to 5.25 VDC
Current Consumption	approx 680 mA @ 5 VDC
I/O Connector	12-pin connector for trigger and strobe or general purpose input/output

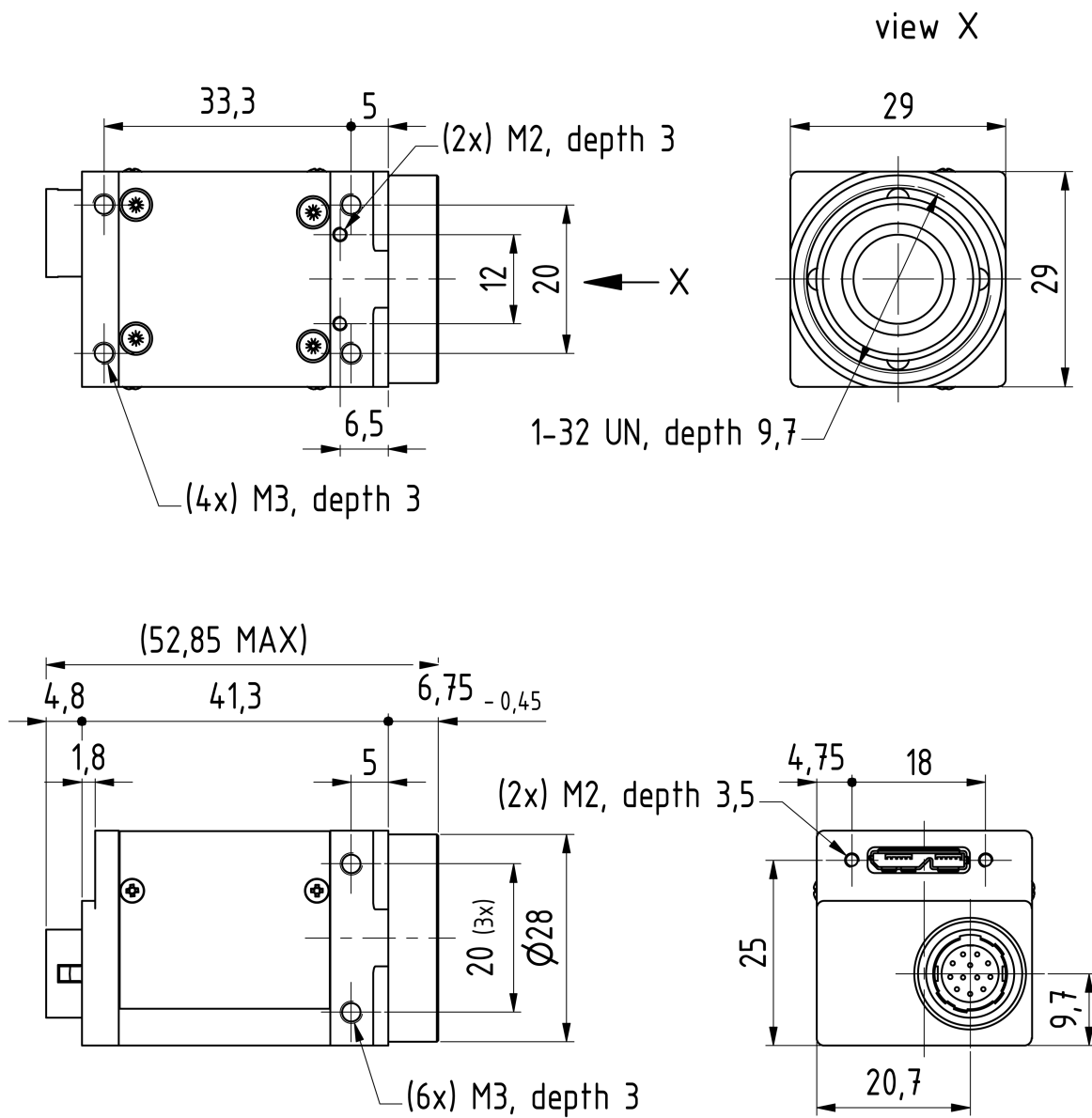
<b>Mechanical Data</b>	
Dimensions	H: 29 mm, W: 29 mm, L: 43 mm
Mass	65 g

<b>Environmental Conditions</b>	
Housing Temperature (operating)	-5 °C to 50 °C
Temperature (storage)	-20 °C to 80 °C
Humidity (operating)	20 % to 80 % (non-condensing)
Humidity (storage)	20 % to 95 % (non-condensing)

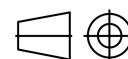


## 2 Dimensional Diagrams

### 2.1 DMK 33UP1300 C-Mount without Tripod Adapter



Dimensions: mm  
Tolerances: DIN ISO 2768-f





## 3 Spectral Characteristics

### 3.1 Spectral Sensitivity - P1300

