

## 47G Series DMM 47GX568- MLP

- IMX568 Pregius S Sensor
- 5 MP
- GigE Vision compliant
- Trigger and I/Os
- M12 Mount



The 47G series camera DMM 47GX568-MLP with a Sony IMX568 sensor delivers 23 frames per second with a resolution of 2448x2048 (5 MP).

47G Series: The Imaging Source's GigE board-level cameras feature a single-board design with an angled RJ45 connector, delivering an especially compact form factor, measuring just 36 x 36 x 18 mm. With robust data transmission and support for cable lengths up to 100 meters, the GigE board-level cameras ensure stable connectivity and flexible positioning in diverse environments. The cameras' modular design includes optional Power over Ethernet (PoE), as well as optional C mount, or M12 mount, enabling easy customization to meet various installation requirements and application needs.

The GigE Vision standard allows for rapid integration into new and existing applications via The Imaging Source's [IC Imaging Control 4 SDK](#) as well as most other third-party image processing libraries.

Note: This Data Sheet is intended to provide a summary overview for an individual camera model. The Imaging Source's website also offers information on spectral sensitivity, dimensional diagrams, sensor data sheets, STEP files as well as our full product catalog. For comprehensive technical information, please refer to the Technical Reference Manual specific to each camera model.

[www.theimagingsource.com](http://www.theimagingsource.com)



## 1 Quick Facts

| General                       |             |
|-------------------------------|-------------|
| Vision Standard               | GigE Vision |
| Resolution                    | 2448x2048   |
| Dynamic Range                 | 12 bit      |
| Frame Rate at Full Resolution | 23          |

| Optical Interface |                    |
|-------------------|--------------------|
| IR-Cut filter     | No                 |
| Sensor Type       | Sony IMX568        |
| Shutter Type      | Global             |
| Sensor Format     | 1/1.8 inch         |
| Pixel Size        | 2.74 $\mu\text{m}$ |
| Lens Mount        | M12                |

| Electrical Interface |                       |
|----------------------|-----------------------|
| Interface            | GigE                  |
| Supply Voltage       | PoE: 48 VDC to 56 VDC |
| Power Consumption    | approx 2.7 W PoE      |

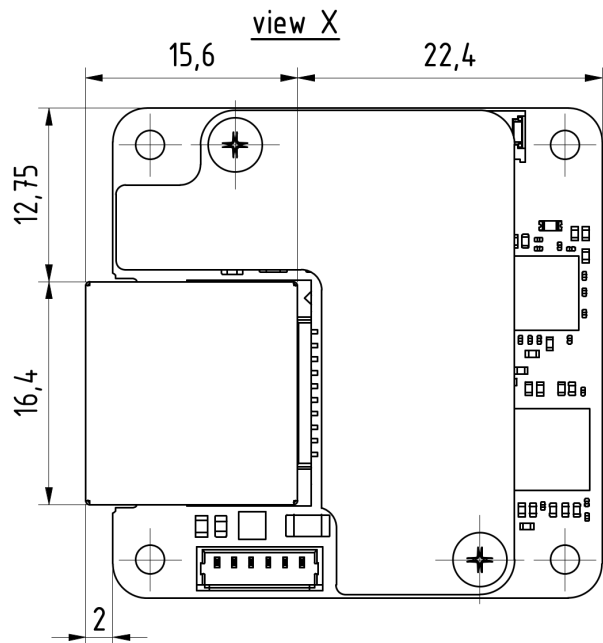
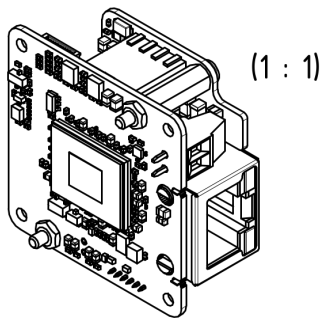
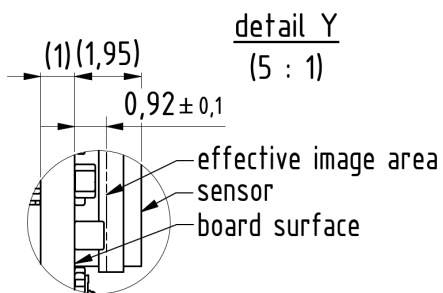
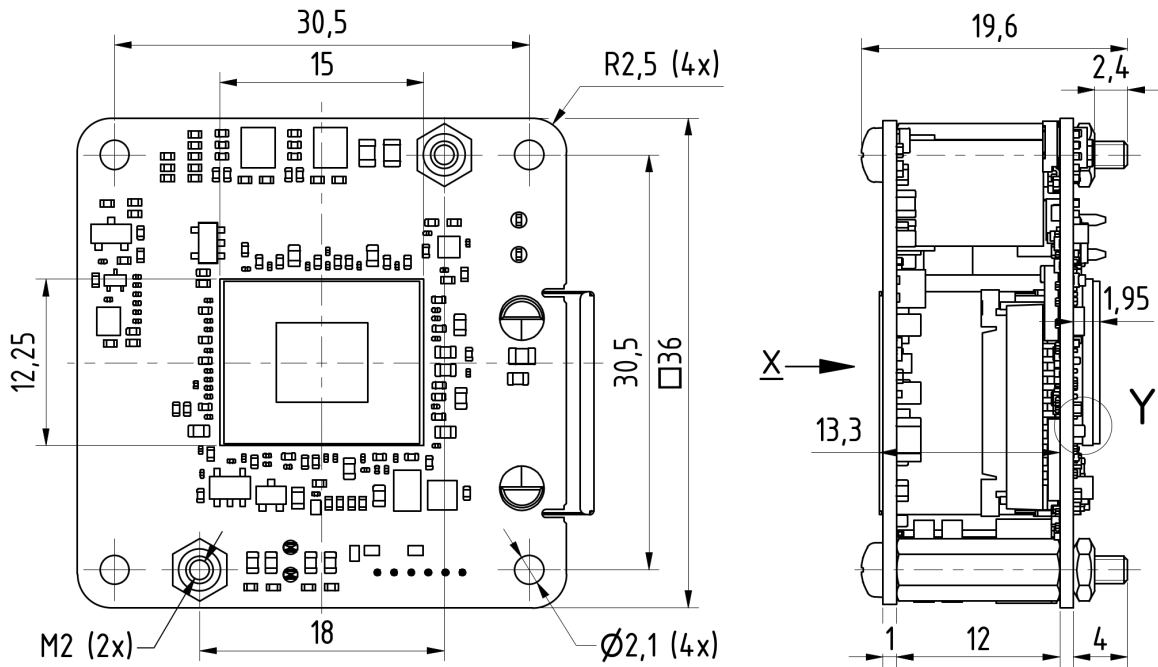
| Mechanical Data |                              |
|-----------------|------------------------------|
| Dimensions      | H: 36 mm, W: 38 mm, L: 18 mm |
| Mass            | 20 g                         |

| Environmental Conditions      |                               |
|-------------------------------|-------------------------------|
| Board Temperature (operating) | 0 °C to 70 °C                 |
| Temperature (storage)         | -20 °C to 80 °C               |
| Humidity (operating)          | 20 % to 80 % (non-condensing) |
| Humidity (storage)            | 20 % to 95 % (non-condensing) |

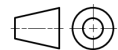


## 2 Dimensional Diagrams

### 2.1 DMM 47GX568-MLP Board Camera with PoE



Scale: 2 : 1  
 Dimensions: mm  
 Tolerances: DIN ISO 2768-f  
 306-23-17-00-00





## 3 Spectral Characteristics

### 3.1 Spectral Sensitivity - IMX568

