



47G Series DMM 47GX676

- IMX676 STARVIS 2 Sensor
- 12.5 MP
- GigE Vision compliant
- Trigger and I/Os
- C Mount



The 47G series camera DMM 47GX676 with a Sony IMX676 sensor delivers 9 frames per second with a resolution of 3536x3536 (12.5 MP).

47G Series: The Imaging Source's GigE board-level cameras feature a single-board design with an angled RJ45 connector, delivering an especially compact form factor, measuring just 36 x 36 x 18 mm. With robust data transmission and support for cable lengths up to 100 meters, the GigE board-level cameras ensure stable connectivity and flexible positioning in diverse environments. The cameras' modular design includes optional Power over Ethernet (PoE), as well as optional C mount, or M12 mount, enabling easy customization to meet various installation requirements and application needs.

The GigE Vision standard allows for rapid integration into new and existing applications via The Imaging Source's [IC Imaging Control 4 SDK](#) as well as most other third-party image processing libraries.

Note: This Data Sheet is intended to provide a summary overview for an individual camera model. The Imaging Source's website also offers information on spectral sensitivity, dimensional diagrams, sensor data sheets, STEP files as well as our full product catalog. For comprehensive technical information, please refer to the Technical Reference Manual specific to each camera model.

www.theimagingsource.com



1 Quick Facts

General	
Vision Standard	GigE Vision
Resolution	3536x3536
Dynamic Range	12 bit
Frame Rate at Full Resolution	9

Optical Interface	
IR-Cut filter	No
Sensor Type	Sony IMX676
Shutter Type	Rolling
Sensor Format	1/1.6 inch
Pixel Size	2.0 μm
Lens Mount	C

Electrical Interface	
Interface	GigE
Supply Voltage	4.75 VDC to 25 VDC
Current Consumption	approx 170 mA @ 12 VDC

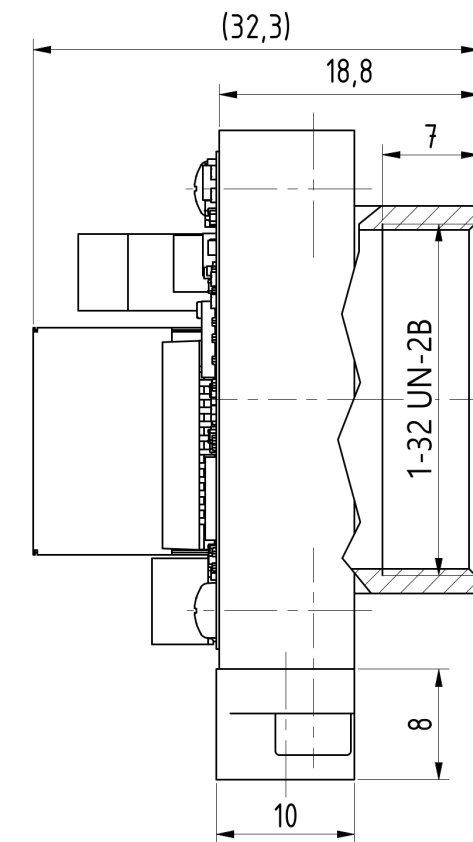
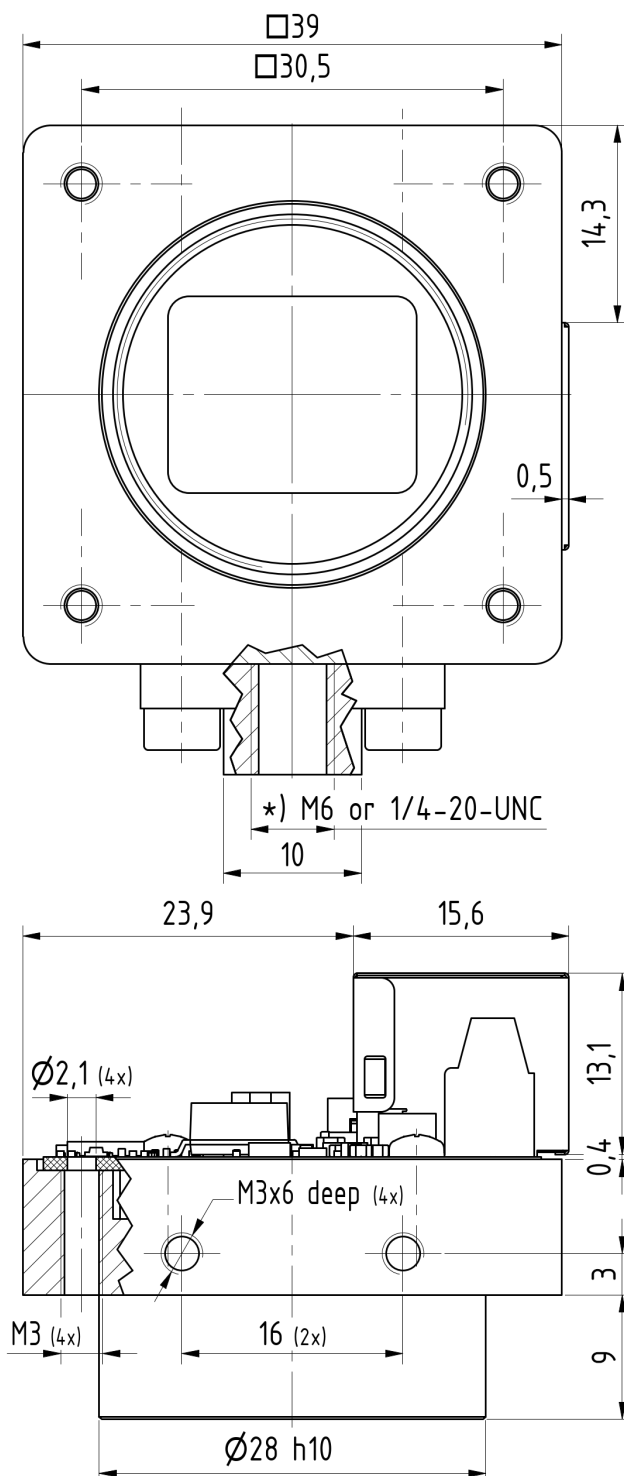
Mechanical Data	
Dimensions	H: 39 mm, W: 40 mm, L: 33 mm
Mass	38 g

Environmental Conditions	
Board Temperature (operating)	0 °C to 70 °C
Temperature (storage)	-20 °C to 80 °C
Humidity (operating)	20 % to 80 % (non-condensing)
Humidity (storage)	20 % to 95 % (non-condensing)

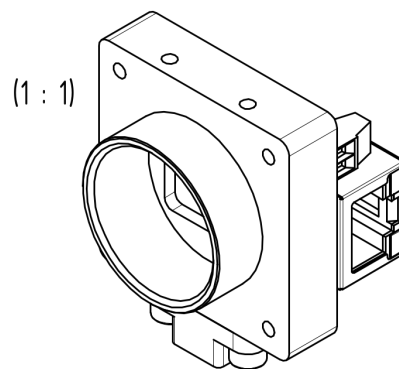


2 Dimensional Diagrams

2.1 DMM 47GX676 C-Mount Board Camera



*) There are two different tripod-adaptor versions. Please select the desired thread type.



(1 : 1)

Scale: 2 : 1
 Dimensions: mm
 Tolerances: DIN ISO 2768-f
 308-24-09-00-00





3 Spectral Characteristics

3.1 Spectral Sensitivity - IMX676

Sensor: Sony IMX676 *courtesy of Sony Deutschland GmbH*

