



33U Series DYK 33UX250

- IMX250MYR CMOS Pregius Polarsens Sensor
- 5 MP
- USB3 Vision / UVC compliant
- Trigger and I/Os
- C/CS mount

USB[®]
VISION

The 33U series camera DYK 33UX250 with a Sony IMX250MYR sensor delivers 75 frames per second with a resolution of 2448x2048 (5 MP).

33U Series: The Imaging Source's largest selection of industrial cameras offers developers and integrators a broad selection of resolutions (up to 20 MP) and frame rates to meet diverse application needs and are ideal for continuous operation in industrial environments. The cameras' USB 3 interface (Micro-B connector) ensures efficient data transfer with high frame rates.

The USB3 Vision standard allows for rapid integration into new and existing applications via The Imaging Source's [IC Imaging Control 4 SDK](#) as well as most other third-party image processing libraries.

Note: This Data Sheet is intended to provide a summary overview for an individual camera model. The Imaging Source's website also offers information on spectral sensitivity, dimensional diagrams, sensor data sheets, STEP files as well as our full product catalog. For comprehensive technical information, please refer to the Technical Reference Manual specific to each camera model.

www.theimagingsource.com



1 Quick Facts

General	
Vision Standard	USB3 Vision (UVC compliant)
Dynamic Range	12 bit
Resolution	2448x2048
Frame Rate at Full Resolution	75

Optical Interface	
IR-Cut filter	Yes
Sensor Type	Sony IMX250MYR-C
Shutter Type	Global
Sensor Format	2/3 inch
Pixel Size	3.45 μm
Lens Mount	C/CS

Electrical Interface	
Interface	USB 3.0
Supply Voltage	4.75 VDC to 5.25 VDC
Current Consumption	approx 800 mA @ 5 VDC
I/O Connector	12-pin connector for trigger and strobe or general purpose input/output

Mechanical Data	
Dimensions	H: 29 mm, W: 29 mm, L: 43 mm
Mass	65 g

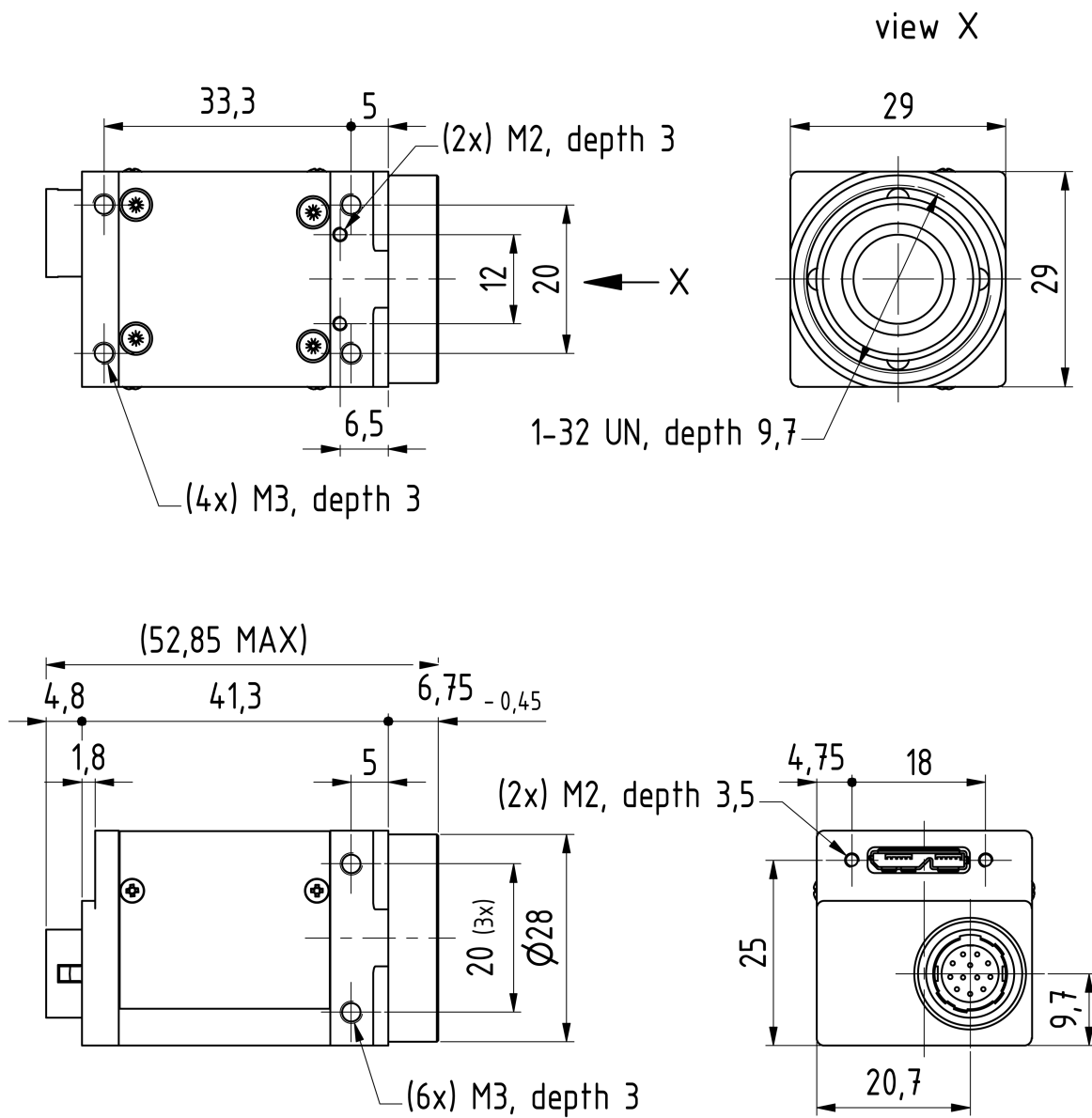
Environmental Conditions	
Housing Temperature (operating)	-5 °C to 50 °C
Temperature (storage)	-20 °C to 80 °C
Humidity (operating)	20 % to 80 % (non-condensing)
Humidity (storage)	20 % to 95 % (non-condensing)



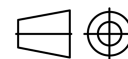
Dimensional Diagrams

2 Dimensional Diagrams

2.1 DYK 33UX250 C-Mount without Tripod Adapter



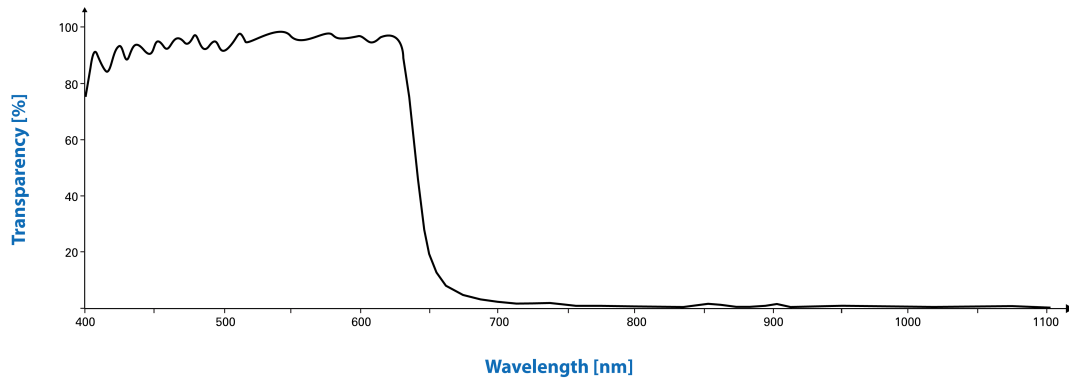
Dimensions: mm
Tolerances: DIN ISO 2768-f





3 Spectral Characteristics

3.1 IR-Cut Filter



3.2 Spectral Sensitivity - IMX250MYR-C

Sensor: Sony IMX250MYR-C *courtesy of Sony Deutschland GmbH*

