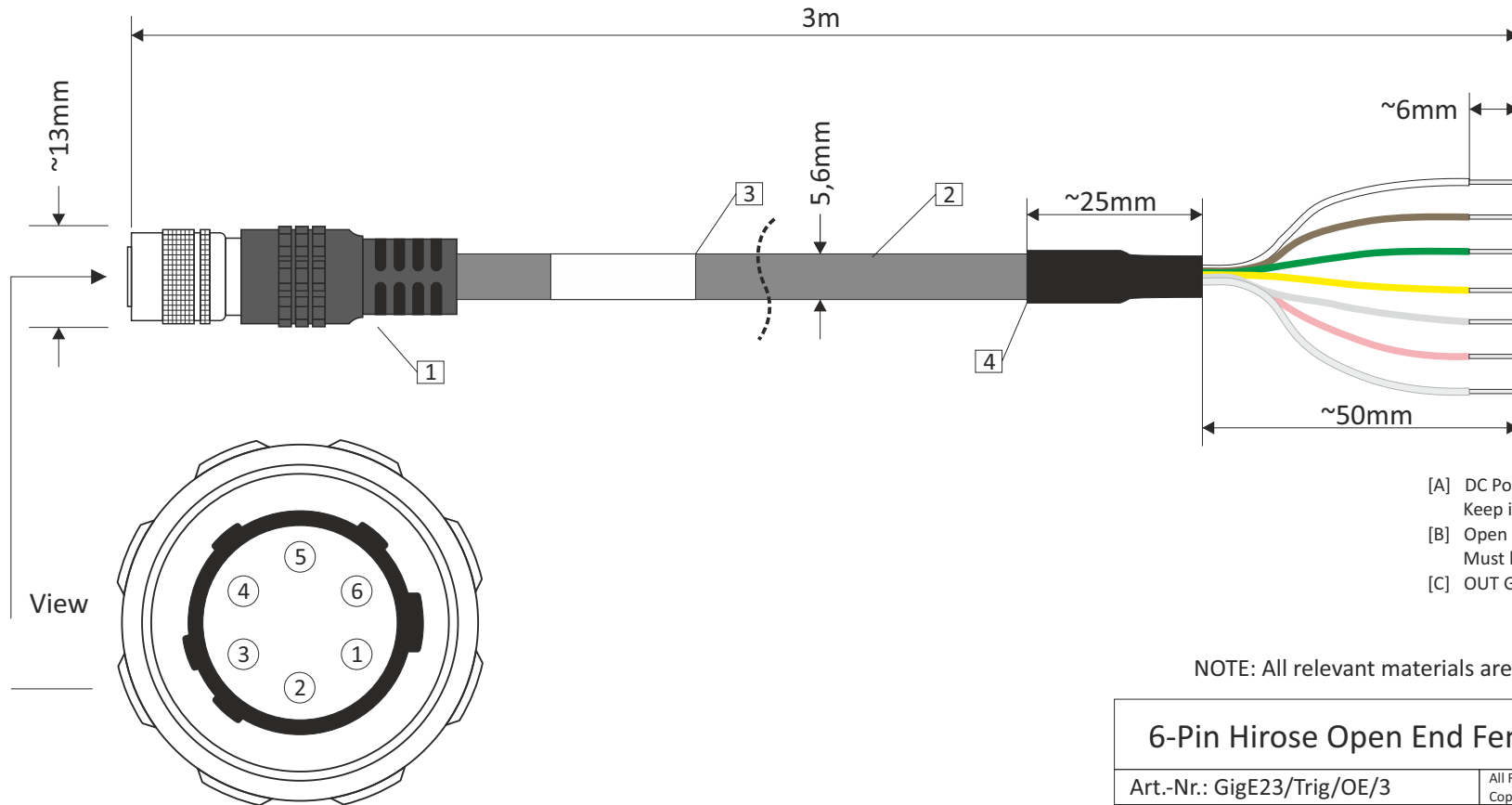


ITEM	QTY	PART NUMBER	DESCRIPTION
1	1	HR10A-7P-6S Solder Type	12 PIN Hirose Fem. Plug Straight
2	LGH.	BC 2412CS	Cable, PVC, 28 AWG 6 Cond + SHLD
3	1	BP 01-LBL2	Lable
4	1	Heat-shrink tubing	black



HR10A	COLOR	SIGNAL
1	WHITE	POWER IN [A]
2	BROWN	TRG+
3	GREEN	TRG-
4	YELLOW	OUT+ [B]
5	GRAY	OUT GND [C]
6	PINK	POWER GND
HSG	CLEAR	HOUSING

- [A] DC Power Input (typ. 12V) Please refer to camera manual. Keep isolated when not used as external PWR supply.
- [B] Open Drain Output. Please refer to camera manual. Must be connect to external pullup. Umax 24V Imax 200mA
- [C] OUT GND internally connected to POWER GND.

NOTE: All relevant materials are compliant with RoHS/REACH directive

6-Pin Hirose Open End Female		General Tolerances ISO 2768-1 (medium)	Projection
Art.-Nr.: GigE23/Trig/OE/3	All Rights Reserved Copyright by DIN34	Drafter:	Date:
Mfg. Type: MVA-50-3-X-03M	Drawn:	Martin Teuber	2025-07-31
TIS-PN: 20800000048	Revision:		
Document Name: TISC-0002	Revision:		
 <b>THE IMAGINGSOURCE</b> TECHNOLOGY BASED ON STANDARDS <b>The Imaging Source Europe GmbH</b> Überseetor 18 28237 Bremen/Germany ☎+49421335910 www.theimagingsource.com ✉	Revision:		
	Revision:		
	Revision:		
M 1:1	Page Size: A4	Page: 1 # 1	