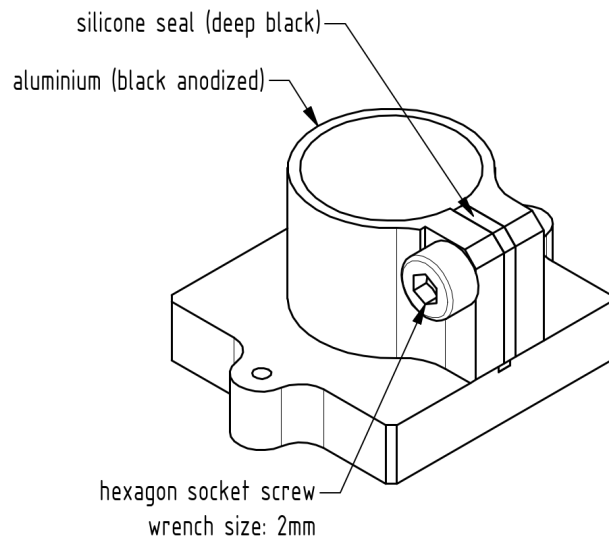


\*) available in different lengths



Scale: 2 : 1  
 Dimensions: mm  
 Tolerances: DIN ISO 2768-f  
 264-19-0-10-00

