



Technical Details

# Dimensional Diagrams 2.0 for all Industrial Board Cameras

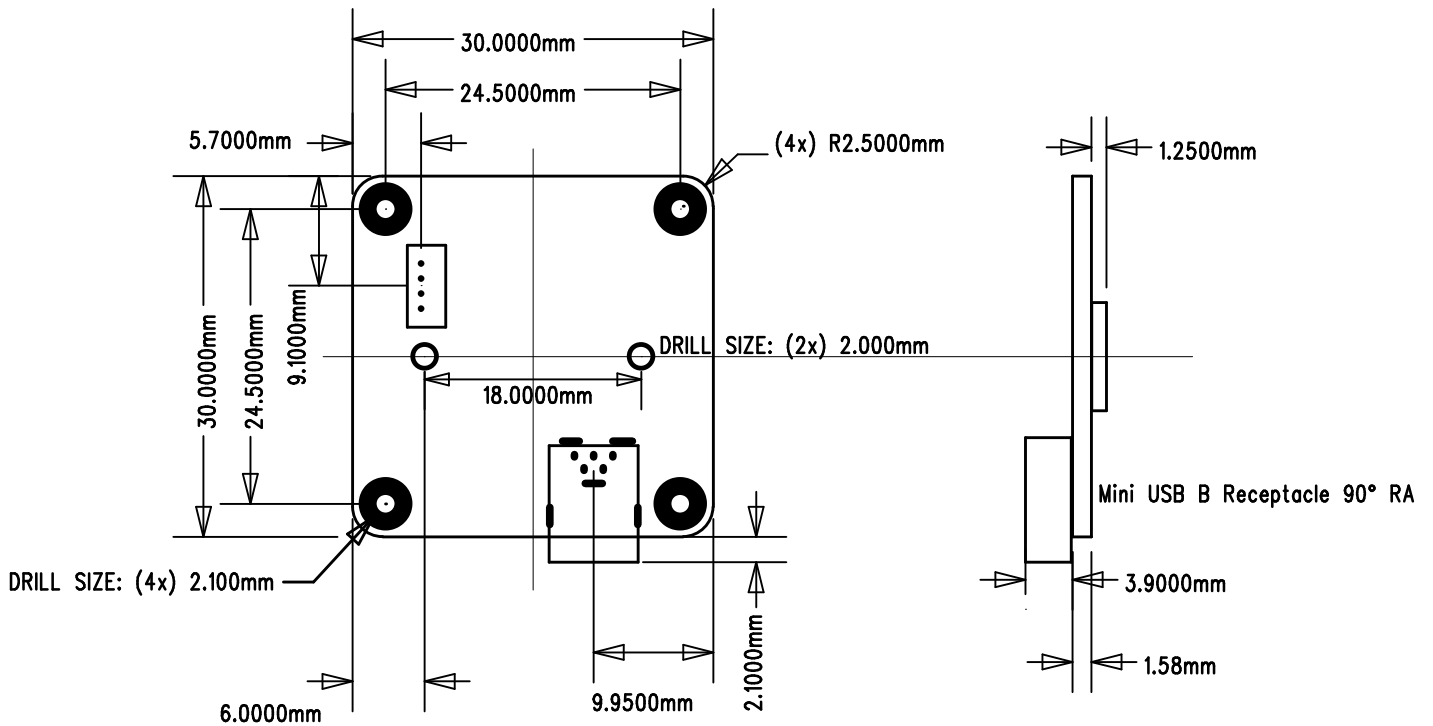
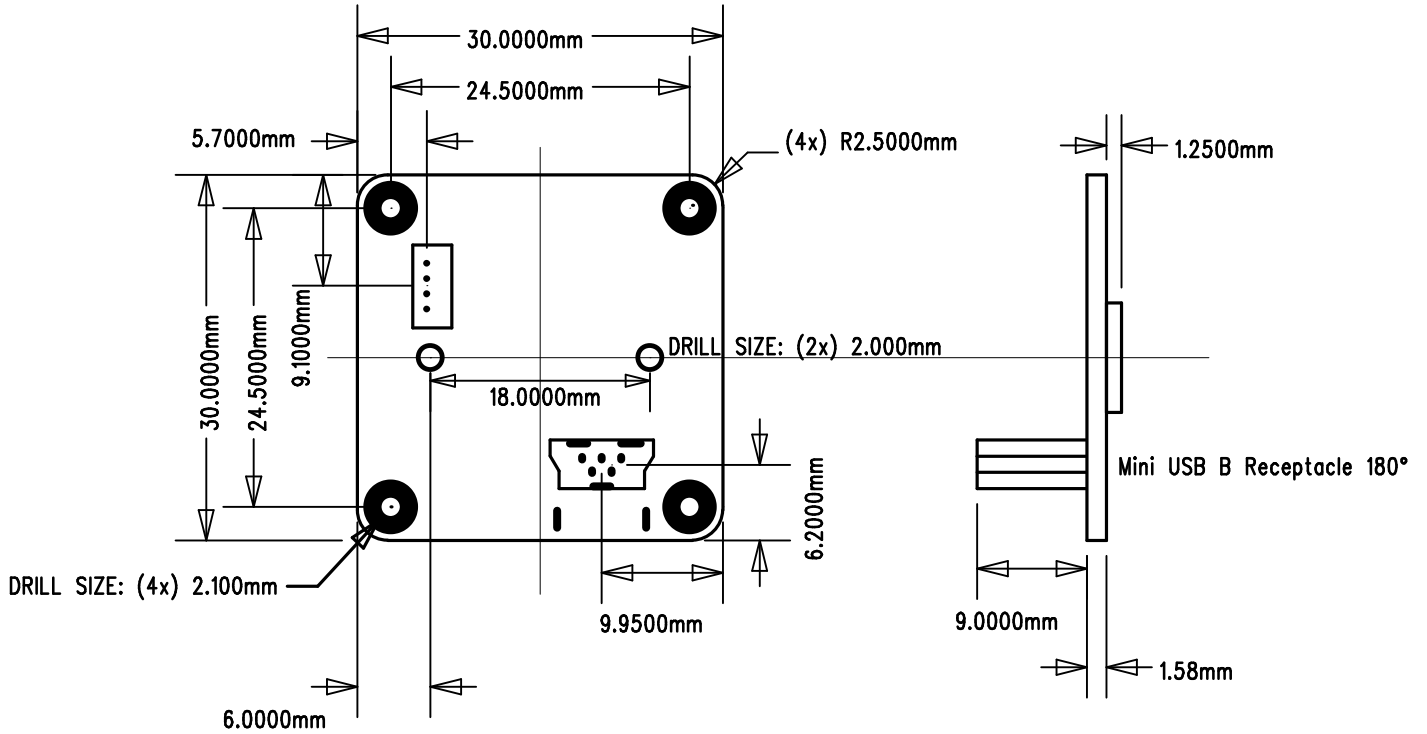


## Sensorboards of USB and GigE CCD and CMOS Cameras

DxM 22BUC03-ML, DxM 22BUC03-MLA.....	3
DxM 22BUC03-MLPB .....	4
DxM 42BUC03-ML, DxM 42BUC03-MLA.....	5
DxM 42BUC03-MLPB.....	6
DxM 72BUC03-ML, DxM 72BUC03-MLA.....	7
DxM 72BUC03-MLPB.....	8
DMM 24UX236-ML.....	9
DMM 24UP031-ML.....	10
DMM 24UJ003-ML.....	11
DxM 25GX236-ML .....	12
DxM 25G445-ML.....	13
DxM 25GP031-ML .....	14
DFG/USB2propcb.....	15
DFG/HSDIpcb .....	16

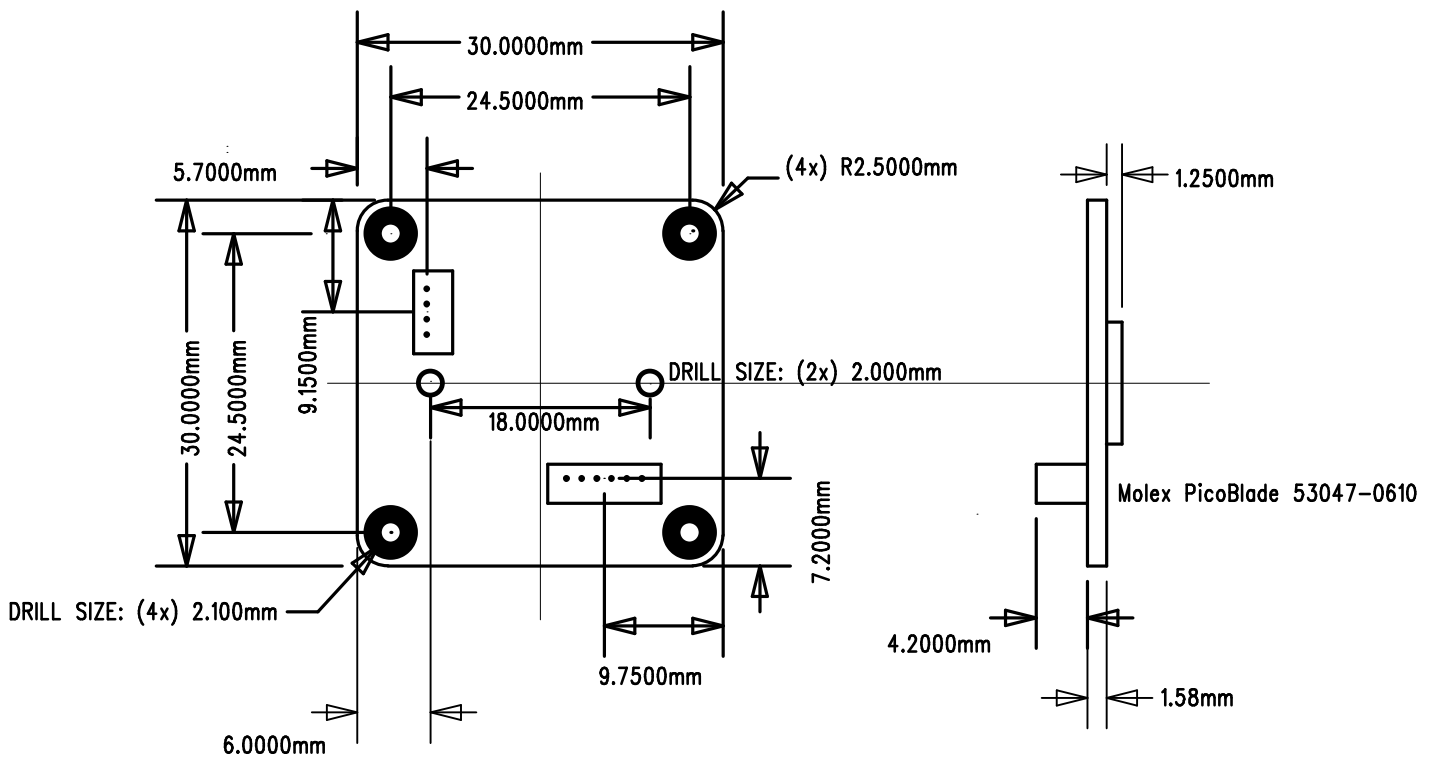


# DxM 22BUC03-ML DxM 22BUC03-MLA



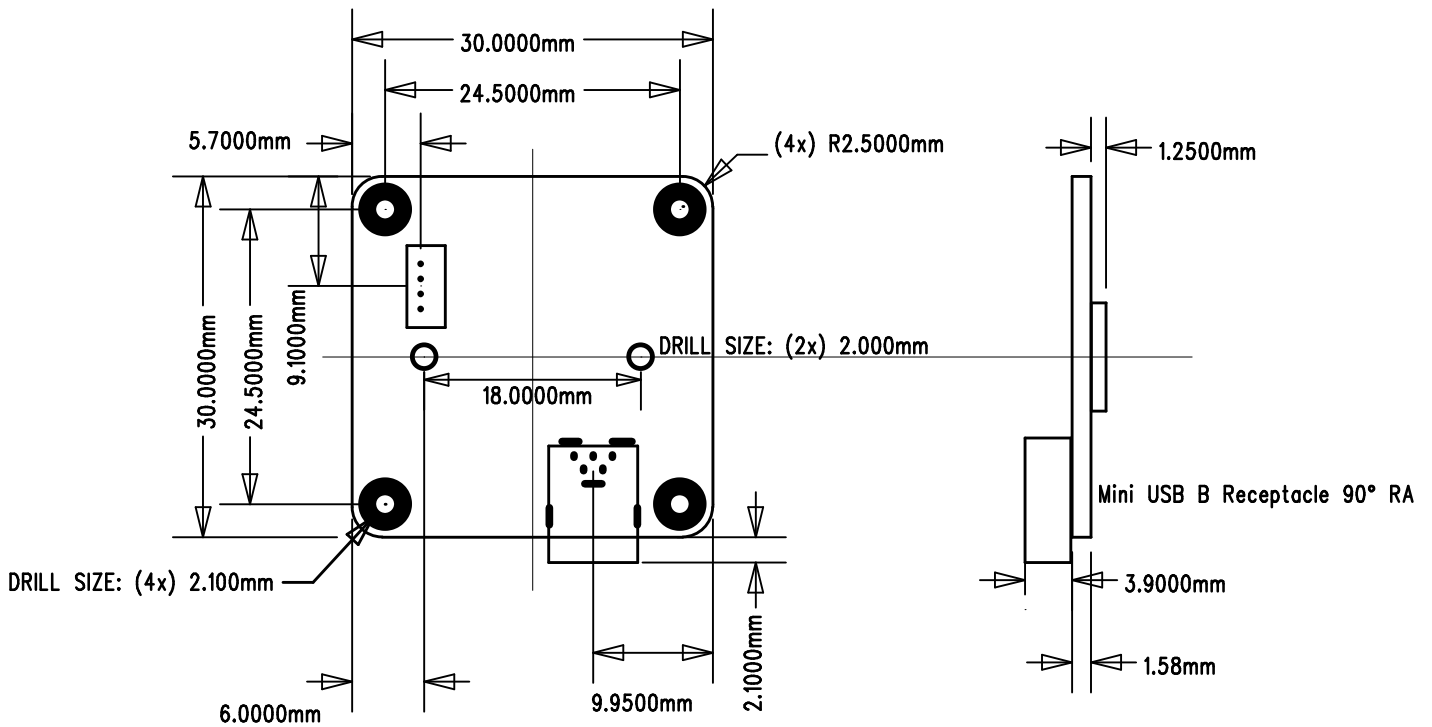
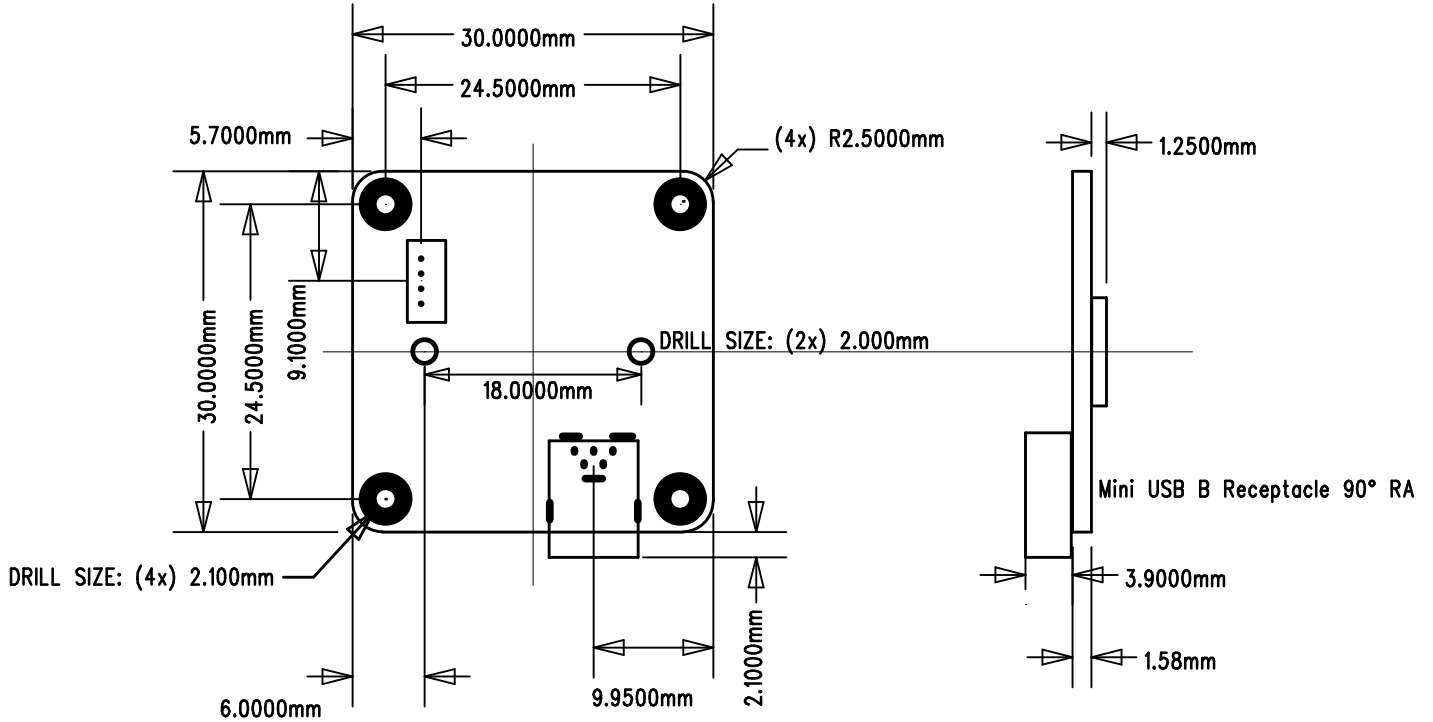


# DxM 22BUC03-MLPB



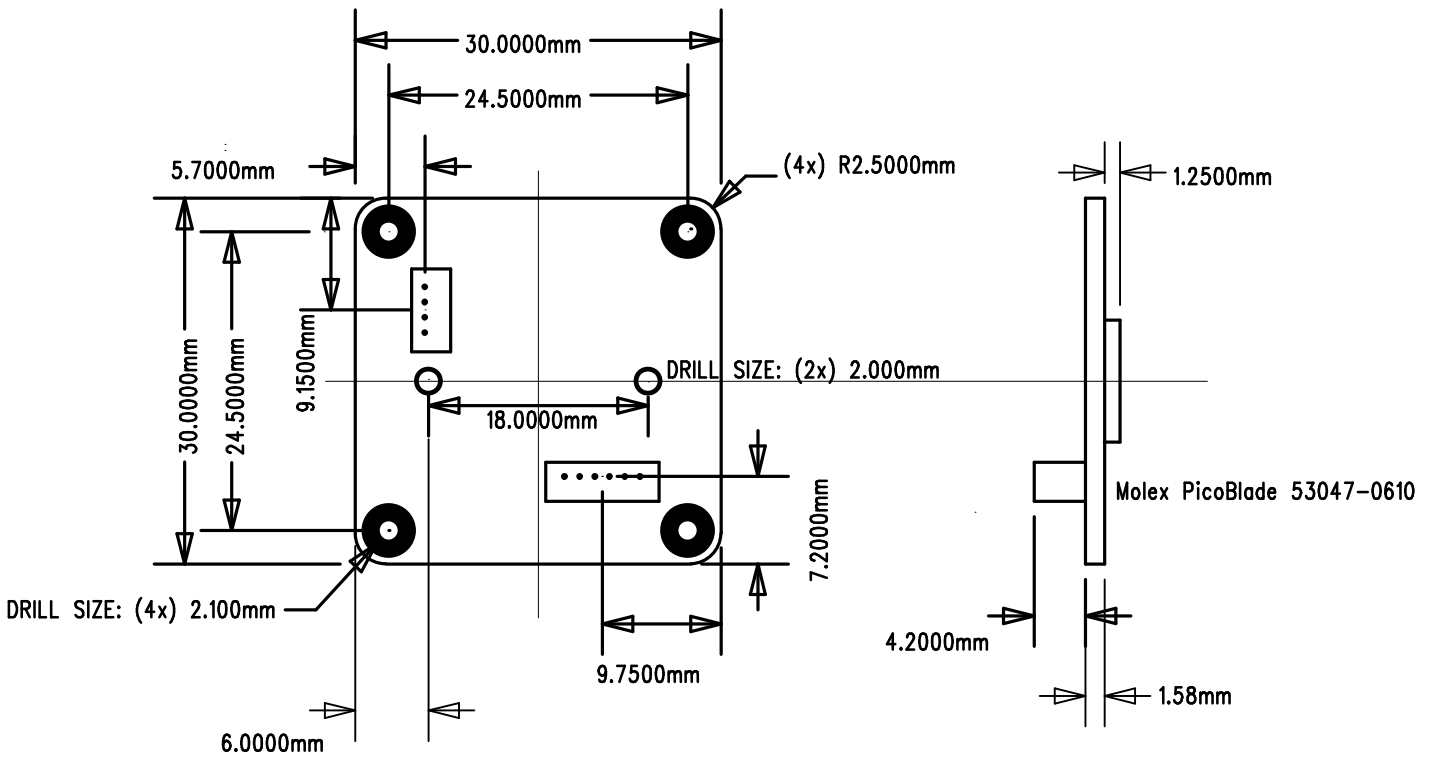


# DxM 42BUC03-ML DxM 42BUC03-MLA



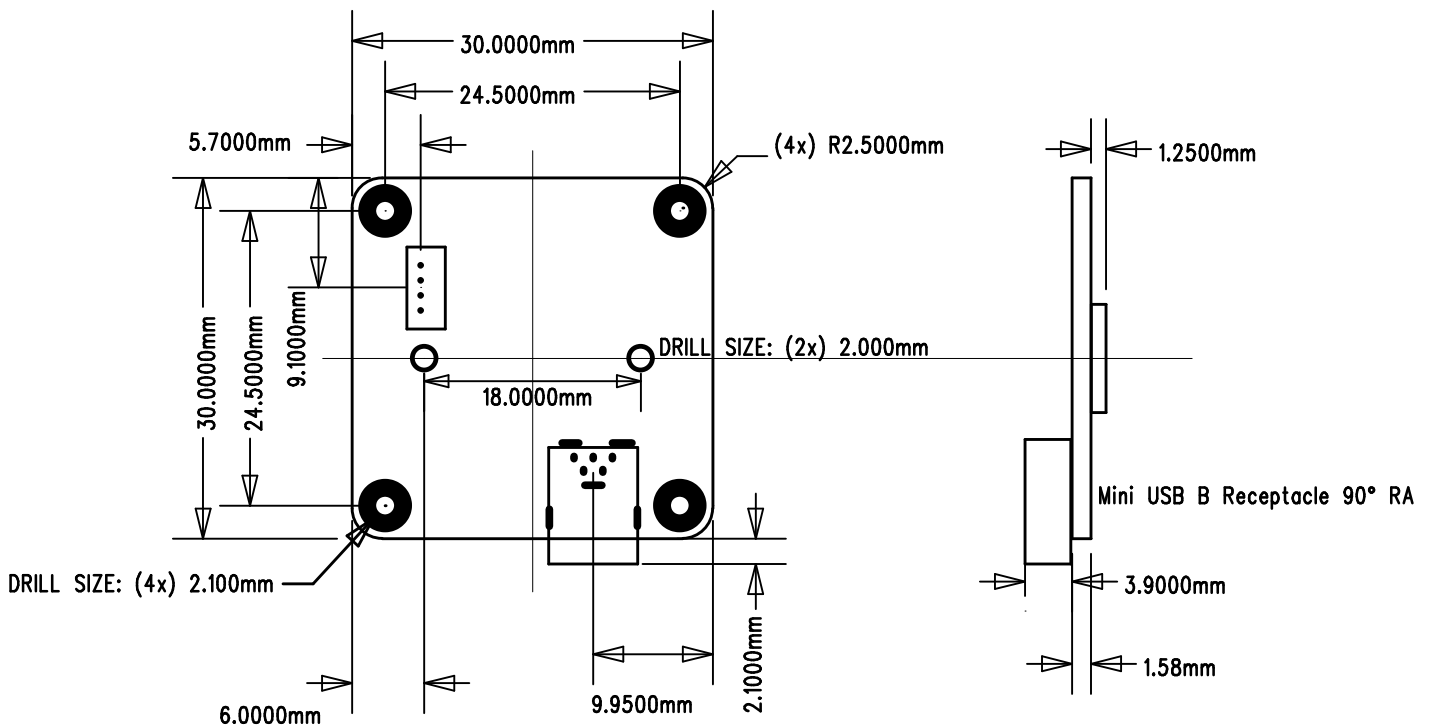
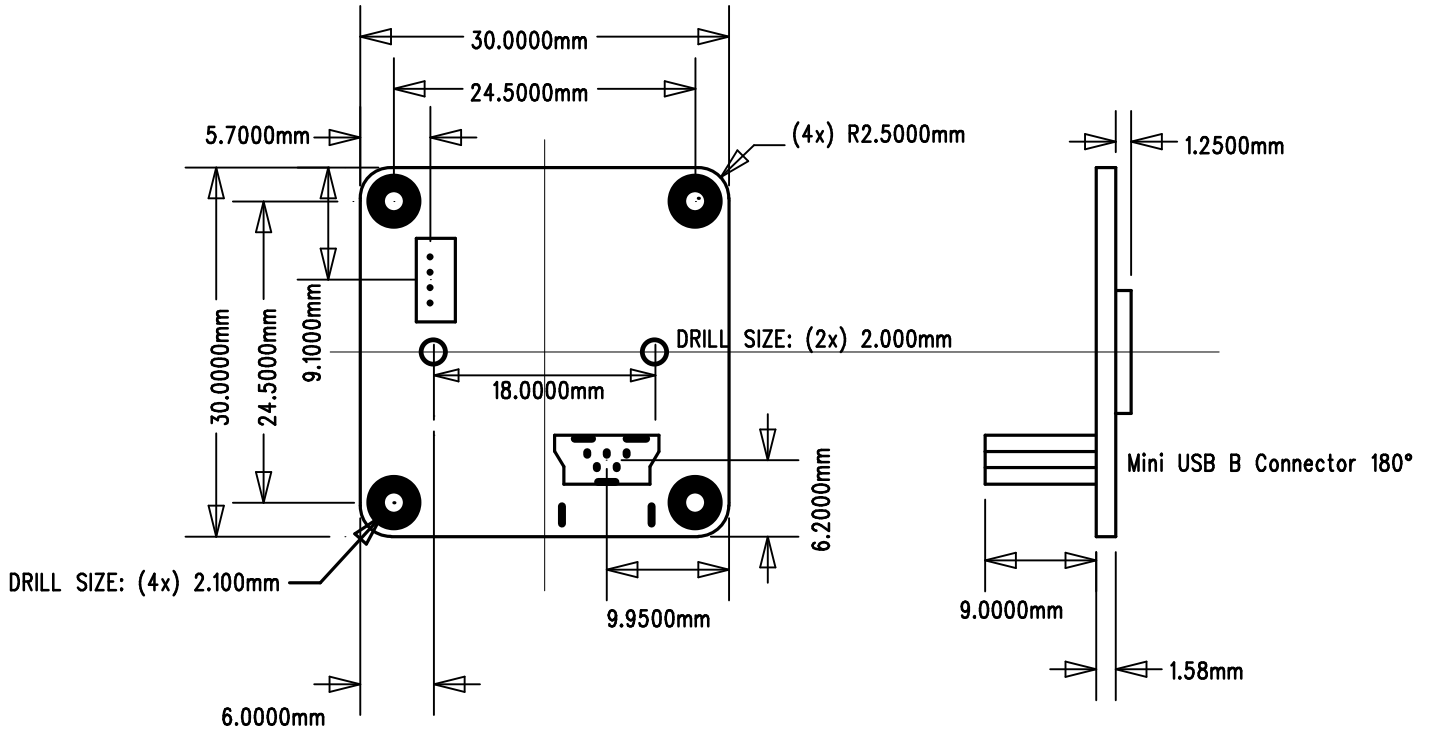


# DxM 42BUC03-MLPB



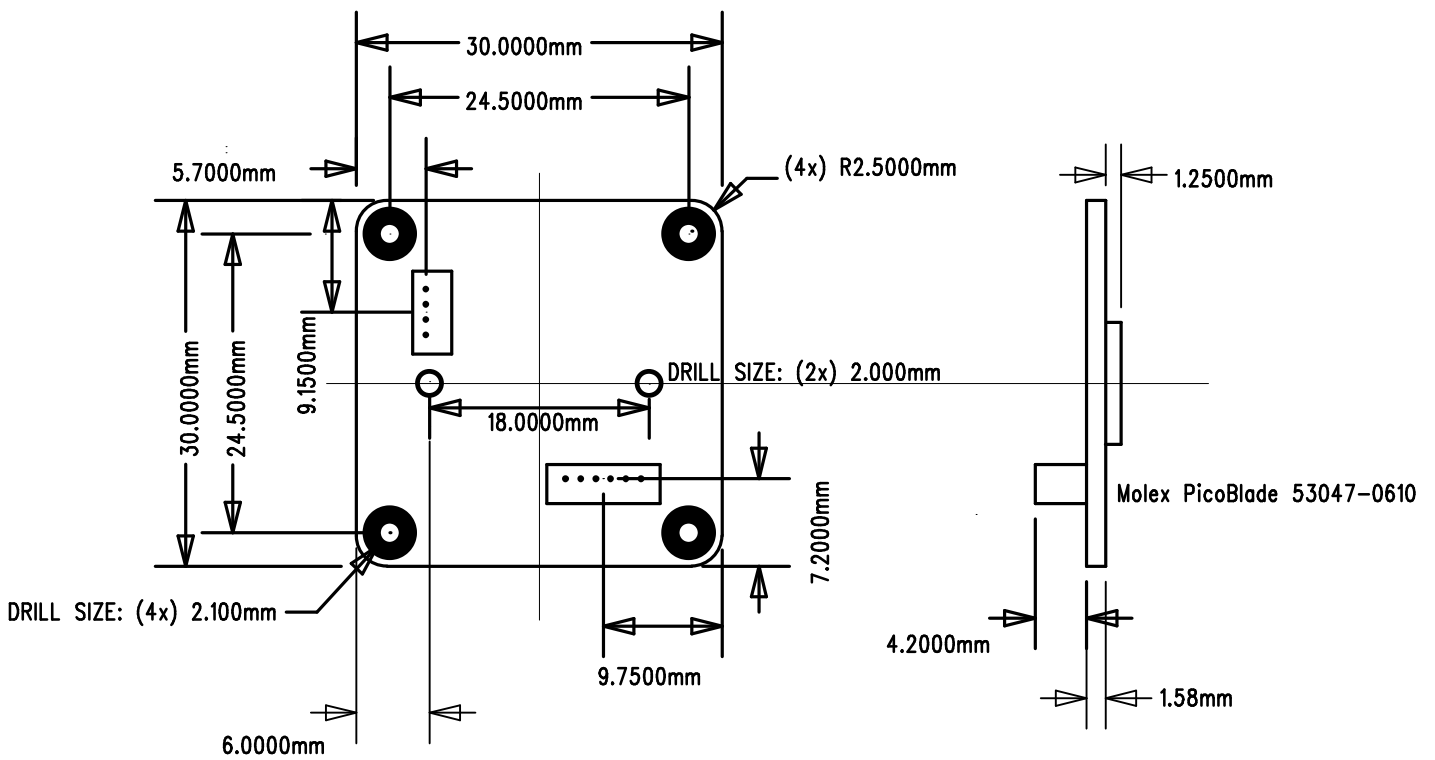


# DxM 72BUC03-ML DxM 72BUC03-MLA





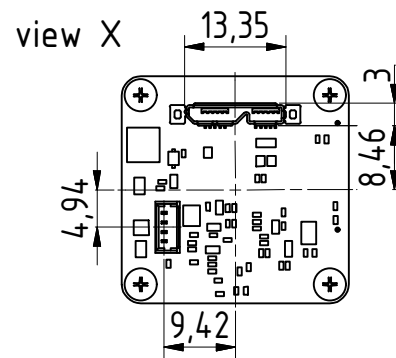
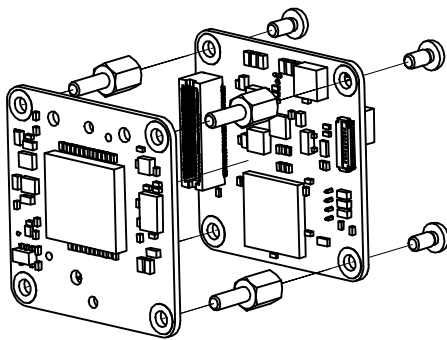
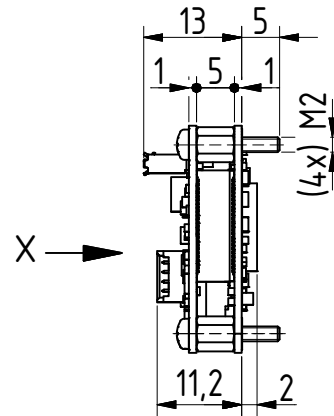
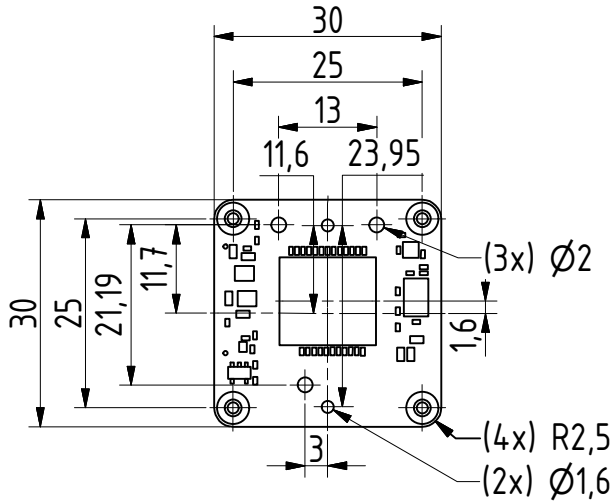
# DxM 72BUC03-MLPB





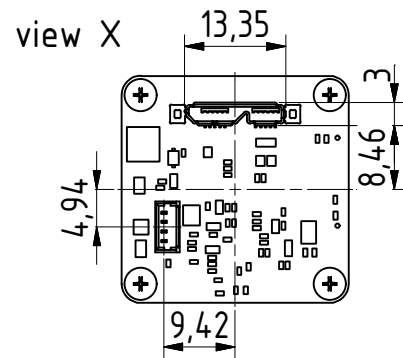
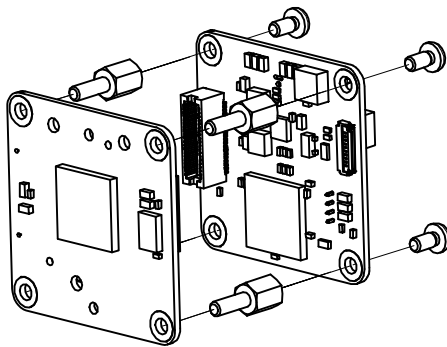
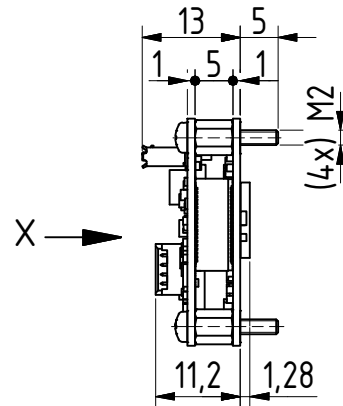
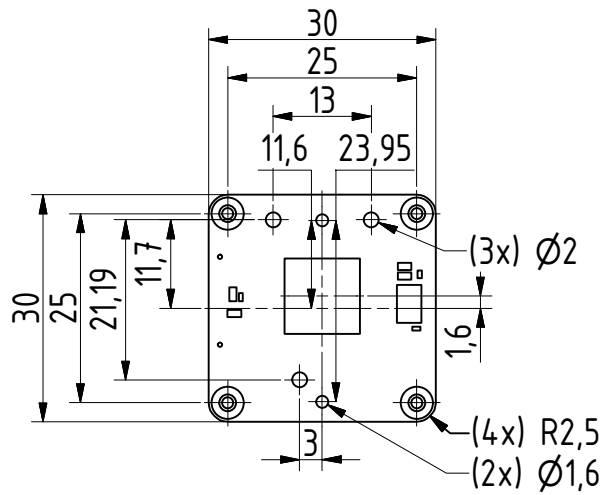


# DMM 24UX236-ML



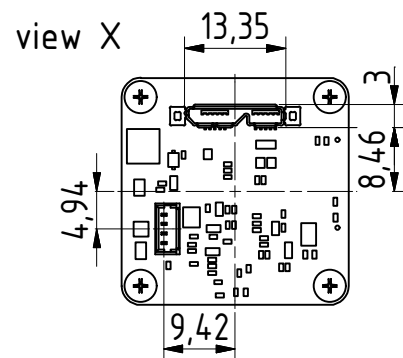
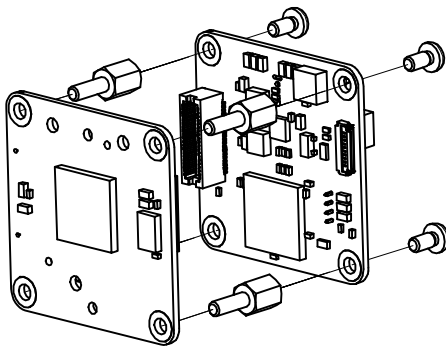
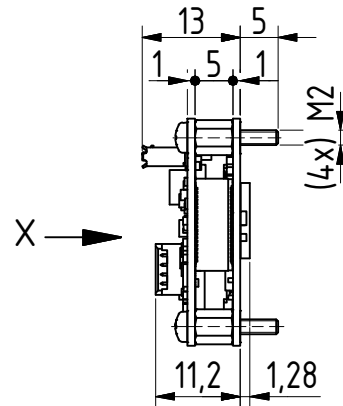
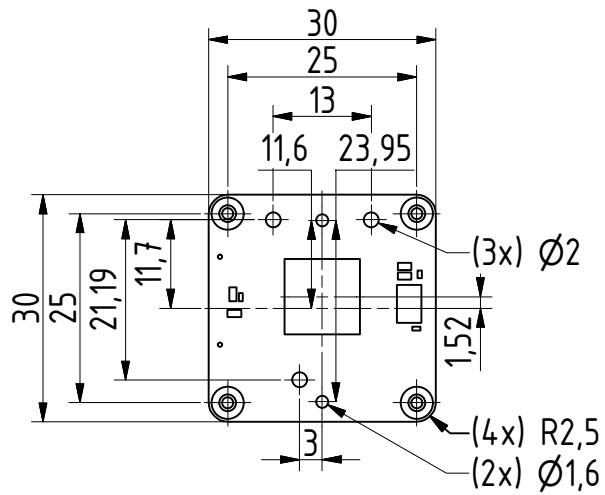


# DMM 24UP031-ML



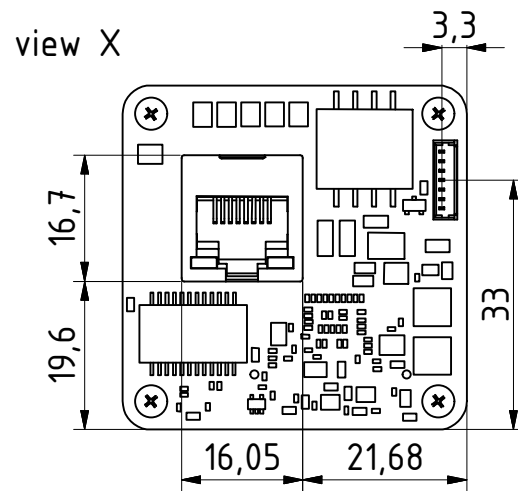
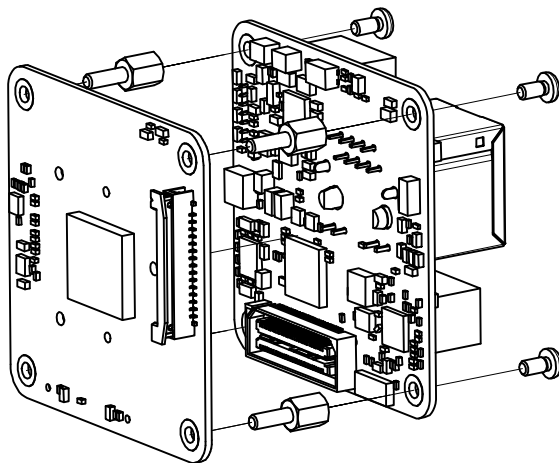
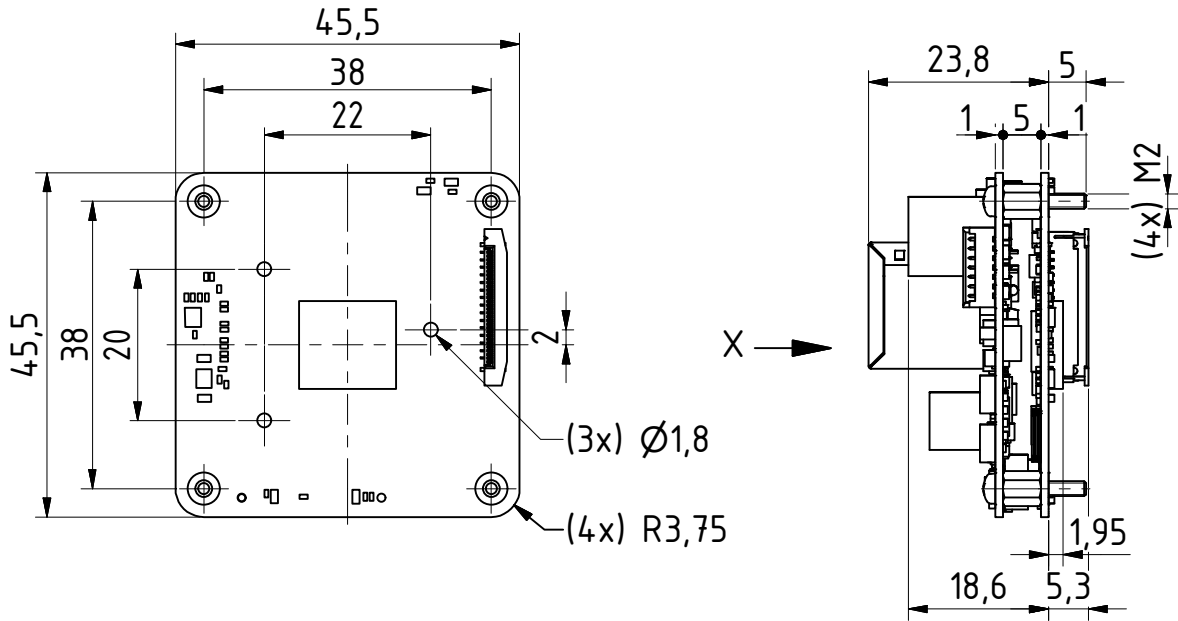


# DMM 24UJ003-ML



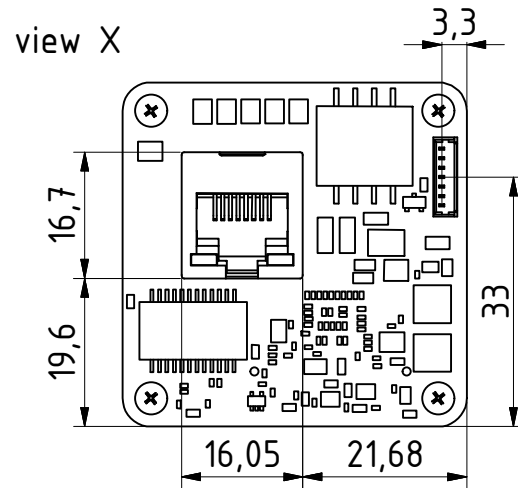
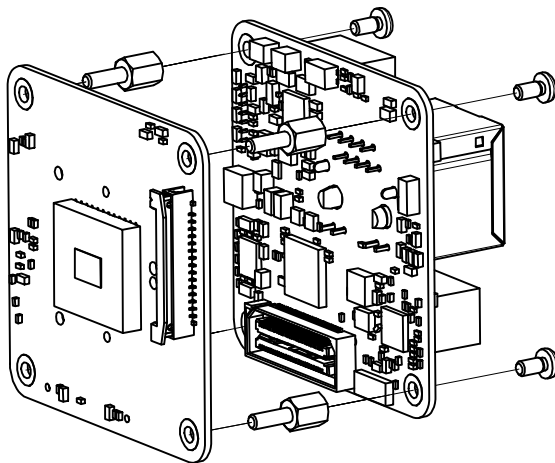
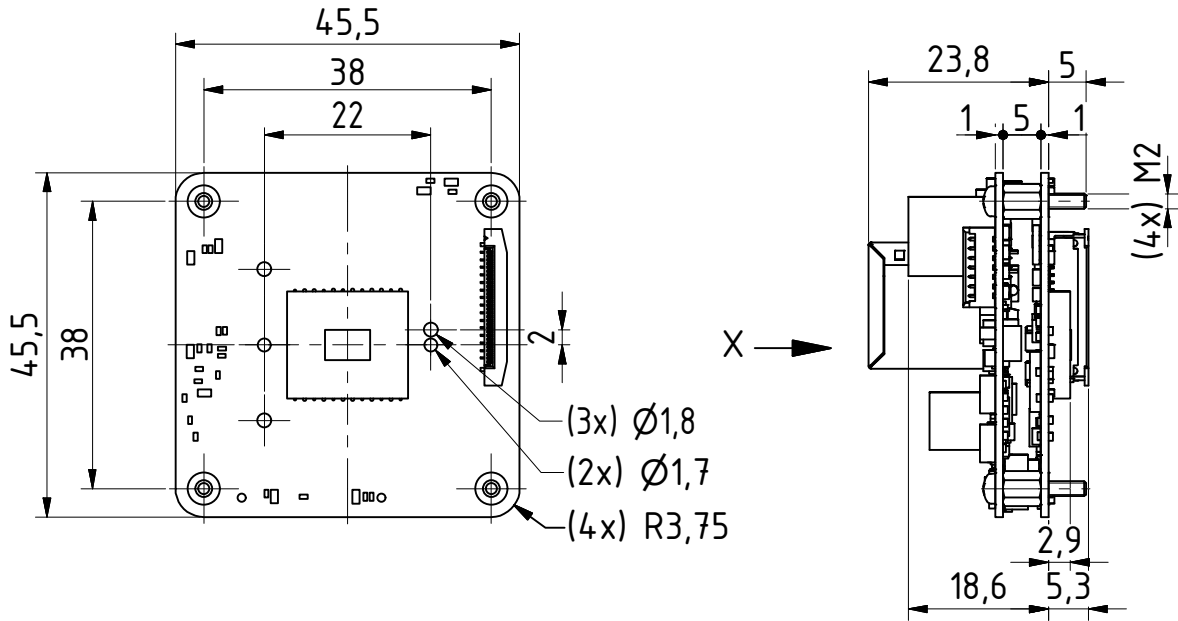


# DxM 25GX236-ML



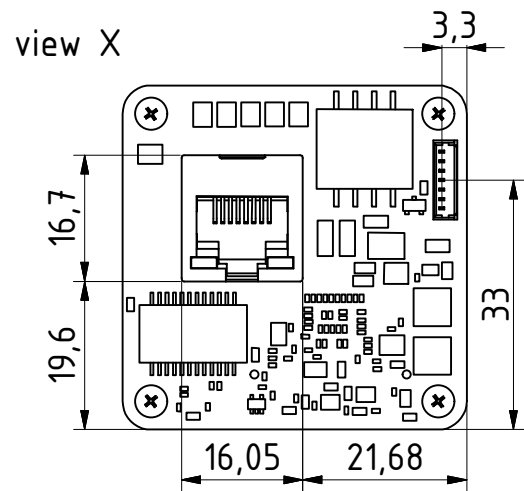
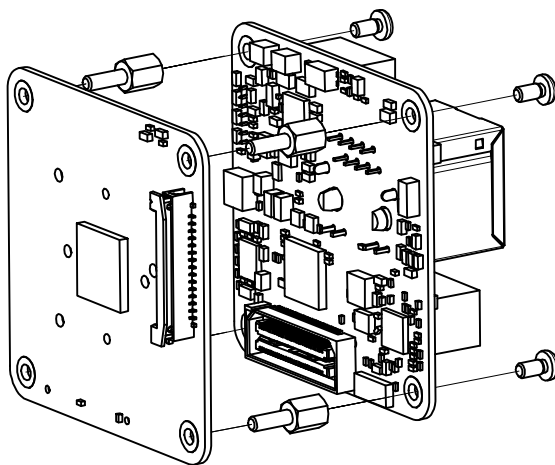
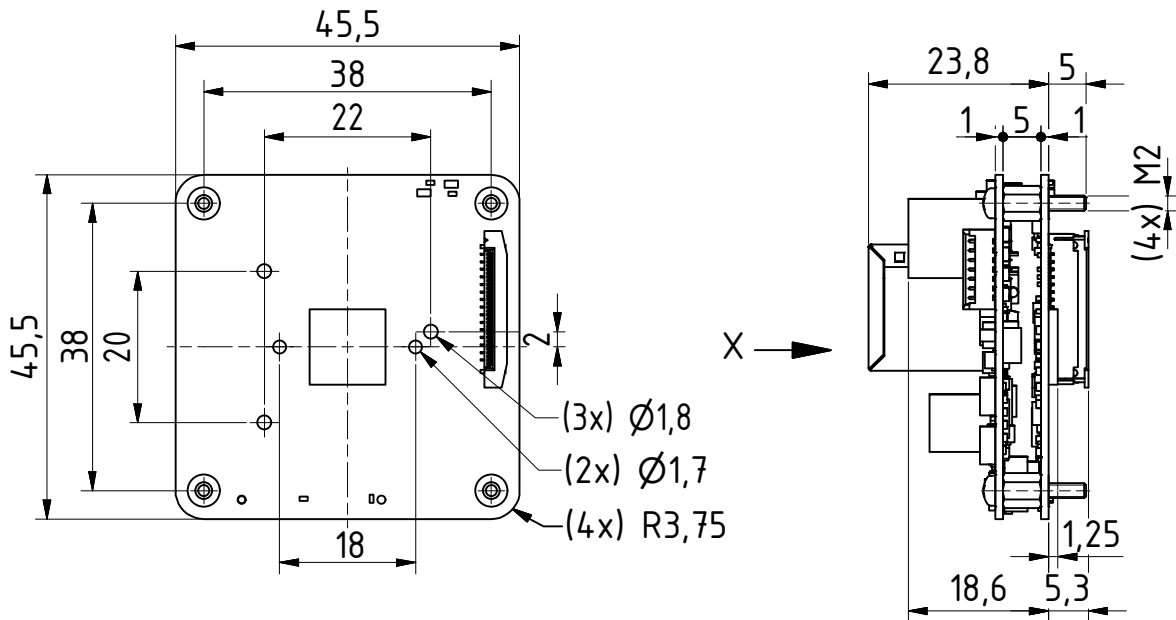


# DxM 25G445-ML



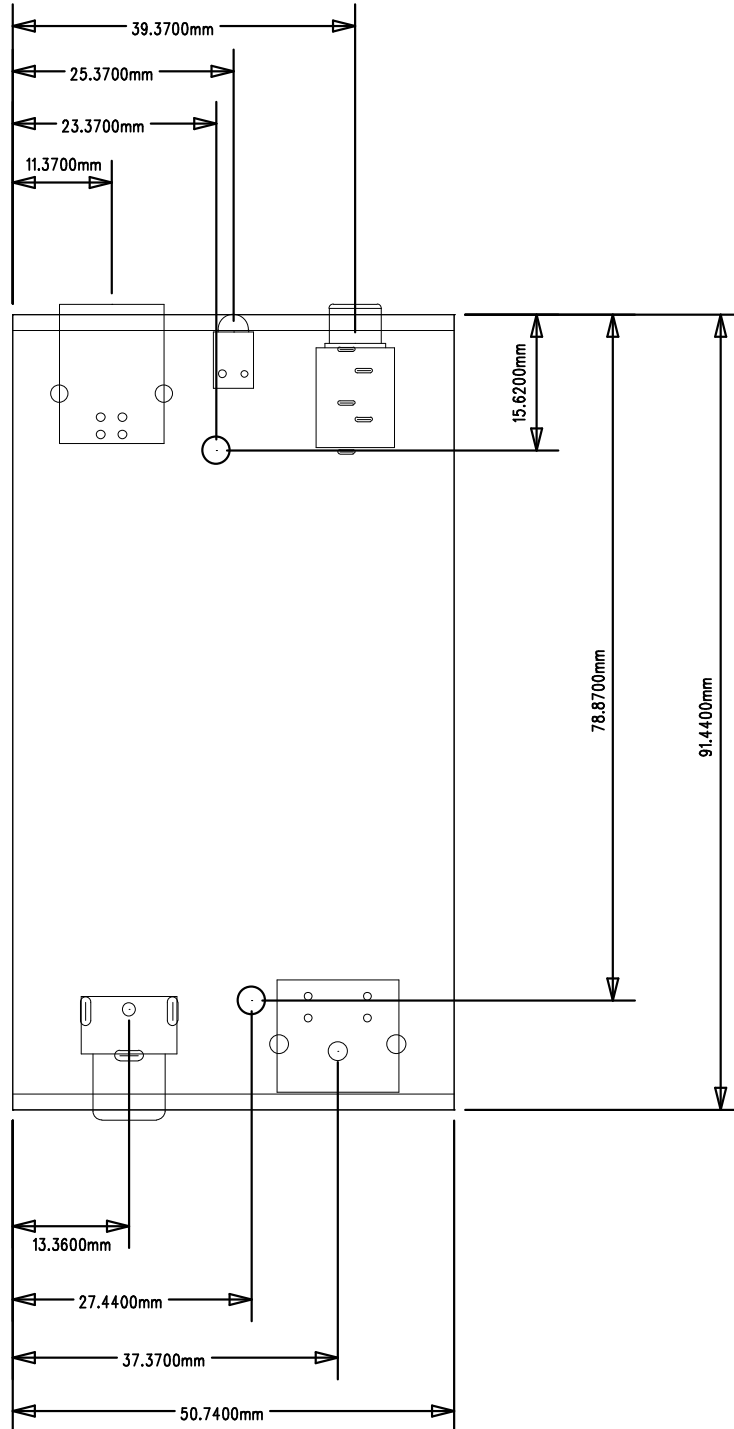


# DxM 25GP031-ML



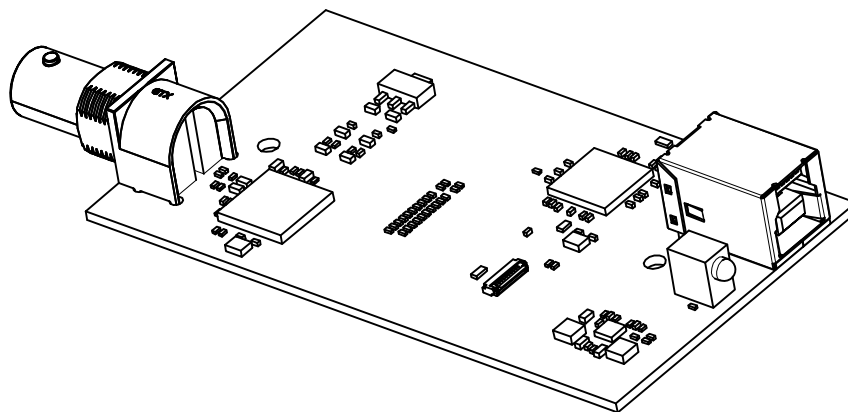
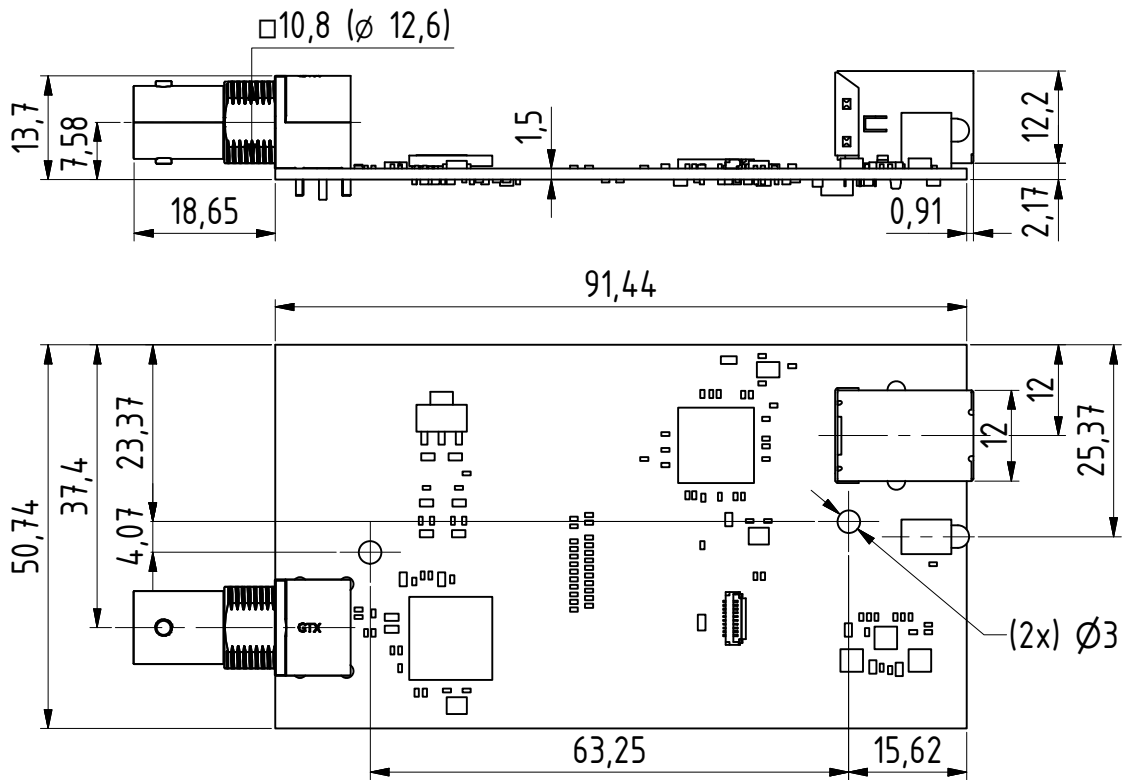


# DFG/USB2propcb





# DFG/HDSDIpcb







# Dimensional Diagrams 2.0 for all Industrial Board Cameras



**Headquarters:** The Imaging Source Europe GmbH  
Sommerstrasse 36, D-28215 Bremen, Germany  
Phone: +49 421 33591-0

**North & South America:** The Imaging Source, LLC  
6926 Shannon Willow Rd, S 400, Charlotte, NC 28226, USA  
Phone: +1 704-370-0110

**Asia Pacific:** The Imaging Source Asia Co. Ltd.  
6F-1, No.230, Sec.3, Ba-De Road, Taipei City 10555, Taiwan  
Phone: +886 2-2577-1228

[www.theimagingsource.com](http://www.theimagingsource.com)

All product and company names in this document may be trademarks and tradenames of their respective owners and are hereby acknowledged.

The Imaging Source Europe GmbH cannot and does not take any responsibility or liability for any information contained in this document. The source code presented in this document is exclusively used for didactic purposes. The Imaging Source does not assume any kind of warranty expressed or implied, resulting from the use of the content of this document or the source code.

The Imaging Source Company reserves the right to make changes in specifications, function or design at any time and without prior notice.

Last update: September 2015

Copyright © 2015 The Imaging Source Europe GmbH, ddcamboard 2.0.en\_US.pdf

All rights reserved. Reprint, also in parts, only allowed with permission of The Imaging Source Europe GmbH.

All weights and dimensions are approximate. Unless otherwise specified the lenses shown in the context of cameras are not shipped with these cameras.