



## Dimensional Diagrams

21, 22, 23, 24, 42, 72 series,  
Autofocus series, Zoom series



## USB 3.0

### CCD Cameras

DxK 23U618, DxK 23U445, DxK 23U274 (without tripod adapter).....	6
DxK 23U618, DxK 23U445, DxK 23U274 (with tripod adapter).....	7

### CMOS Cameras

DxK 23UV024, DxK 23UM021, DxK 23UP031, DxK 23UX236, DxK 23UP1300, DxK 23UX174 (without tripod adapter).....	8
DxK 23UV024, DxK 23UM021, DxK 23UP031, DxK 23UX236, DxK 23UP1300, DxK 23UX174 (with tripod adapter).....	9
DxK 24UP031, DxK 24UJ003 (without tripod adapter) .....	10
DxK 24UP031, DxK 24UJ003 (with tripod adapter).....	11

### CMOS Auto Focus Cameras

DFK AFU130-L53 (without tripod adapter).....	12
DFK AFU130-L53 (with tripod adapter).....	13
DFK AFUP031-MR, DxK AFUI003-M12 .....	14



## USB 2.0

### CCD Cameras

DxK 21AU618, DxK 21AU04, DxK 31AU03, DxK 41AU02, DxK 51AU02 .....	15
DxK 21BU618, DxK 21BU04, DxK 31BU03, DxK 41BU02, DxK 51BU02 .....	16
DxK 21BU618.H, DxK 21BU04.H, DxK 31BU03.H, DxK 41BU02.H, DxK 51BU02.H.....	17

### CMOS Cameras

DxK 21AUC03, DMK41AUC02, DxK61AUC02.....	18
DxK 21BUC03, DMK41BUC02, DxK61BUC02 .....	19
DxK 22AUC03, DxK 42AUC03, DxK 72AUC02 .....	20
DxK 22BUC03, DxK 42BUC03, DxK 72BUC02 .....	21

### CMOS Auto Focus Cameras

DxK 22AUC03-F, DxK 42AUC03-F, DxK 72AUC02-F.....	22
DFK AFU050-L34.....	23

### CMOS Low Cost Cameras

DFK ECU010-M12 .....	24
----------------------	----



## FireWire

### CCD Cameras

DxK 21AF618, DxK 21AF04, DxK 31AF03, DxK 41AF02.....	25
DxK 21BF618, DxK 21BF04, DxK 31BF03, DxK 41BF02.....	26
DxK 21BF618.H, DxK 21BF04.H, DxK 31BF03.H, DxK 41BF02.H.....	27
DxK 23F618, DxK 23F445, DxK 23F274 (without tripod adapter).....	28
DxK 23F618, DxK 23F445, DxK 23F274 (with tripod adapter).....	29

### CMOS Cameras

DxK 23FV024, DxK 23FM021, DxK 23FP031 (without tripod adapter).....	30
DxK 23FV024, DxK 23FM021, DxK 23FP031 (with tripod adapter).....	31

### CCD Zoom Cameras

Dxx 21AF04-Z2, Dxx 31AF03-Z2.....	32
Dxx 21BF04-Z2, Dxx 31BF03-Z2.....	33
Dxx 21BF04-Z2.H, Dxx 31BF03-Z2.H.....	34



## GigE

### CCD Cameras

DxK 21AG618, DxK 21AG04, DxK 31AG03, DxK 41AG02, DxK 51AG02.....	35
DxK 21AG618.I, DxK 21AG04.I, DxK 31AG03.I, DxK 41AG02.I, DxK 51AG02.I.....	36
DxK 21BG618.H, DxK 21BG04.H, DxK 31BG03.H, DxK 41BG02.H, DxK 51BG02.H.....	37
DxK 23G618, DxK 23G445, DxK 23G274 (without tripod adapter).....	38
DxK 23G618, DxK 23G445, DxK 23G274 (with tripod adapter).....	39

### CMOS Cameras

DxK 23GV024, DxK 23GM021, DxK 23GP031, DxK 23GX236, DxK 236 P1300 (without tripod adapter).....	40
DxK 23GV024, DxK 23GM021, DxK 23GP031, DxK 23GX236, DxK 236 P1300 (with tripod adapter).....	41
DxK 23GX174 (without tripod adapter).....	42
DxK 23GX174 (with tripod adapter).....	43

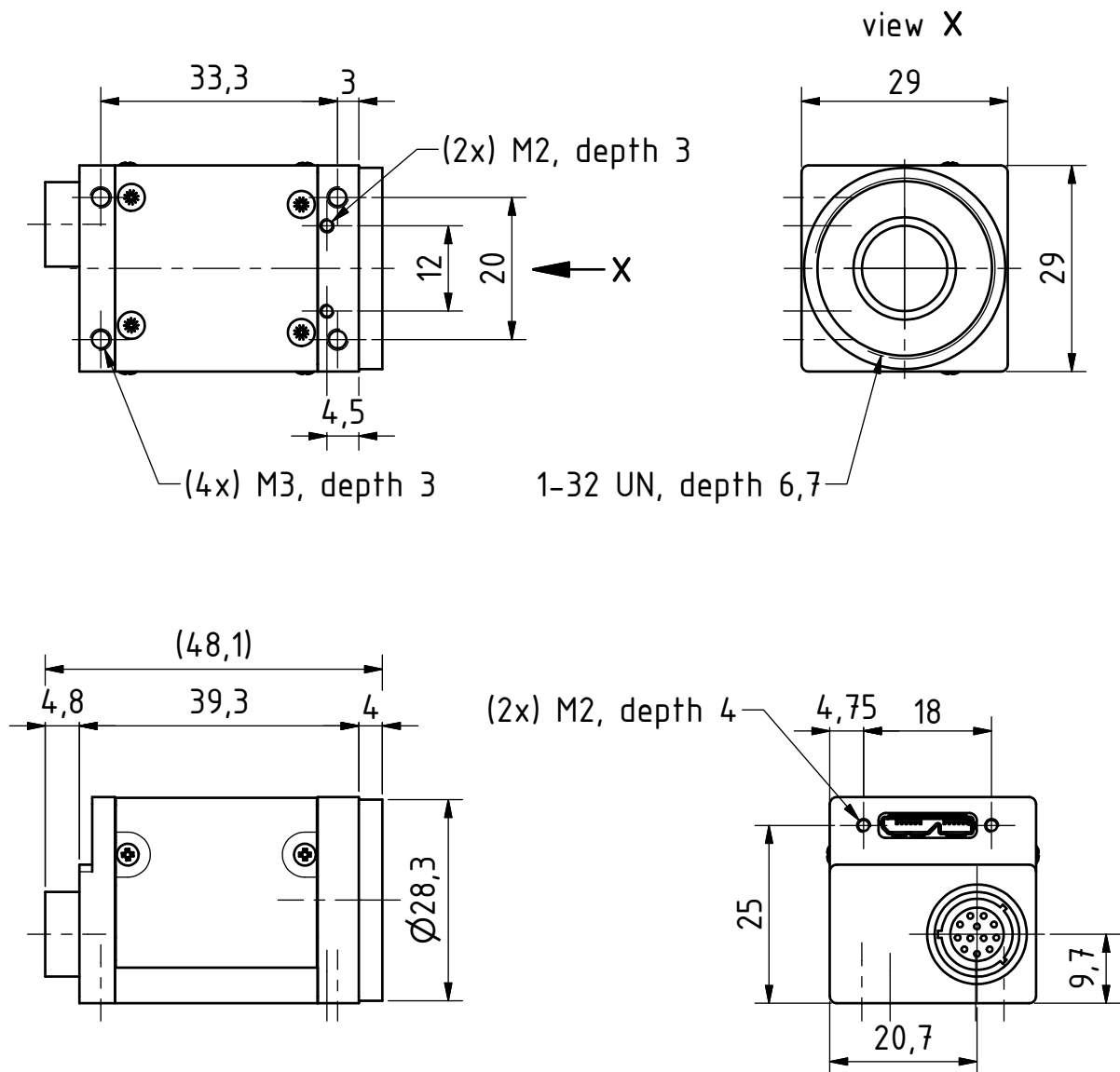
### CCD & CMOS Zoom Cameras

DxK Z12GP031, DxK Z12G445, DxK Z12GX236 (without tripod adapter).....	44
DxK Z12GP031, DxK Z12G445, DxK Z12GX236 (with tripod adapter).....	45
DxK Z30GP031 (without tripod adapter).....	46
DxK Z30GP031 (with tripod adapter).....	47

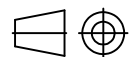


# DxK 23U618 DxK 23U445 DxK 23U274

(without tripod adapter)



Dimensions: mm  
Tolerances: DIN ISO 2768m



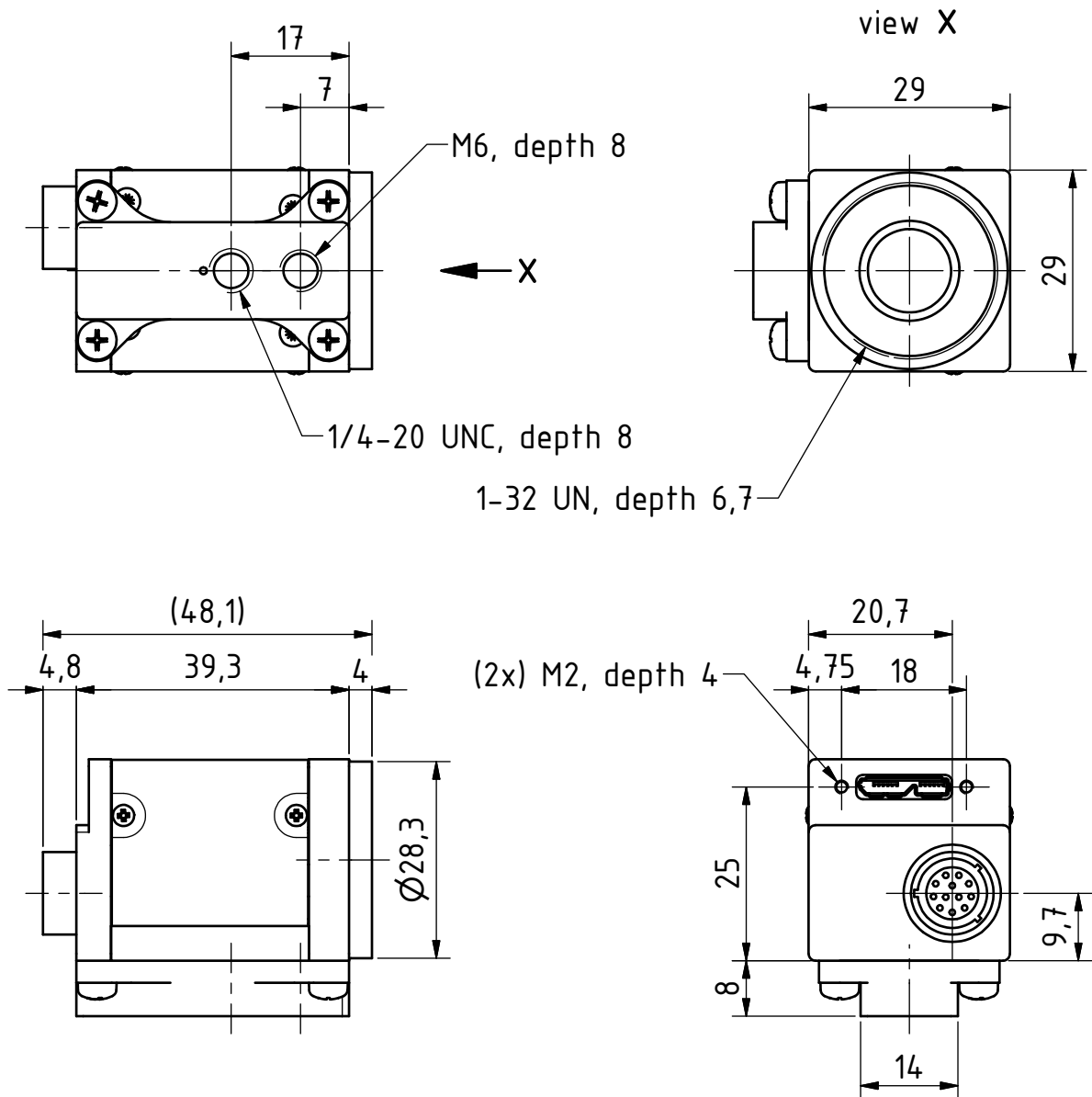


**DxK 23U618**

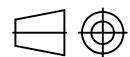
**DxK 23U445**

**DxK 23U274**

**(with tripod adapter)**



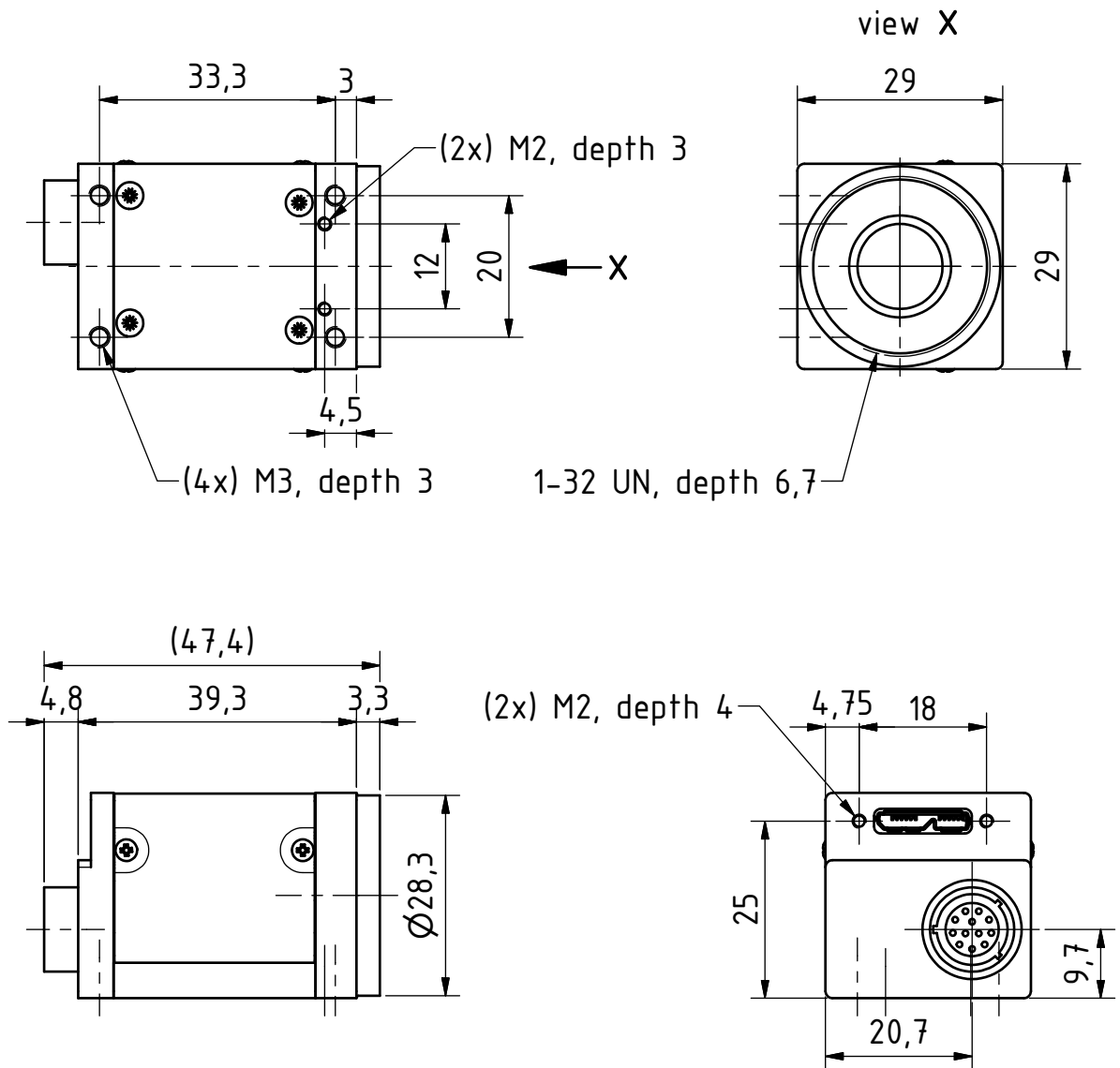
Dimensions: mm  
Tolerances: DIN ISO 2768m



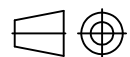


# DxK 23UV024 DxK 23UM021 DxK 23UP031

(without tripod adapter)



Dimensions: mm  
Tolerances: DIN ISO 2768m

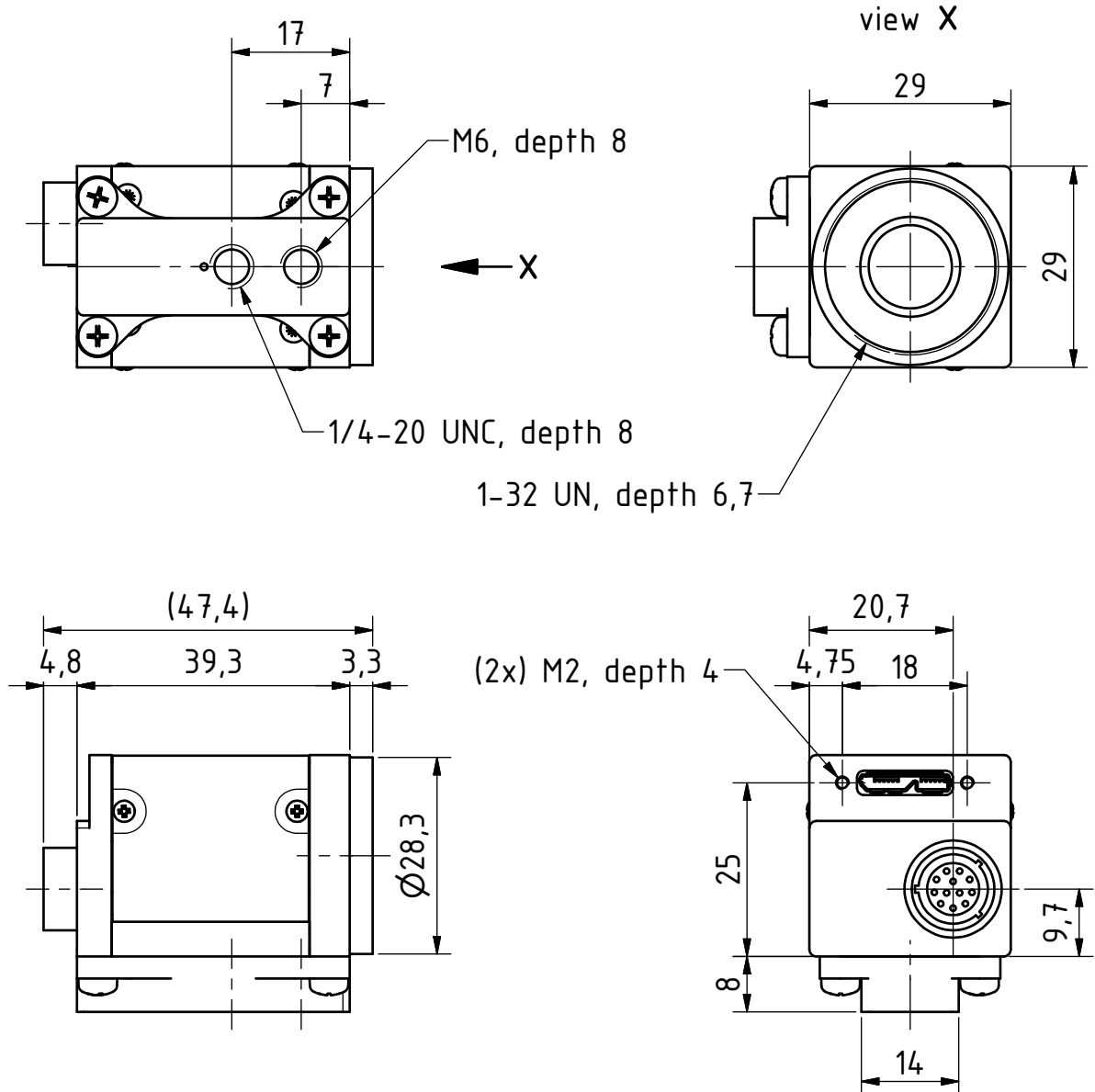




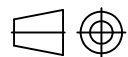


# DxK 23UV024 DxK 23UM021 DxK 23UP031

(with tripod adapter)



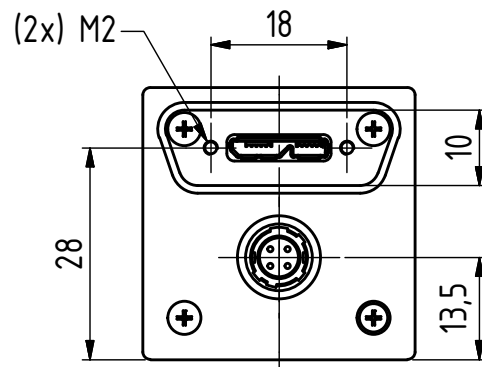
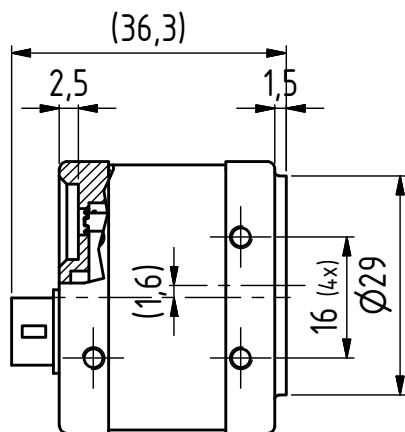
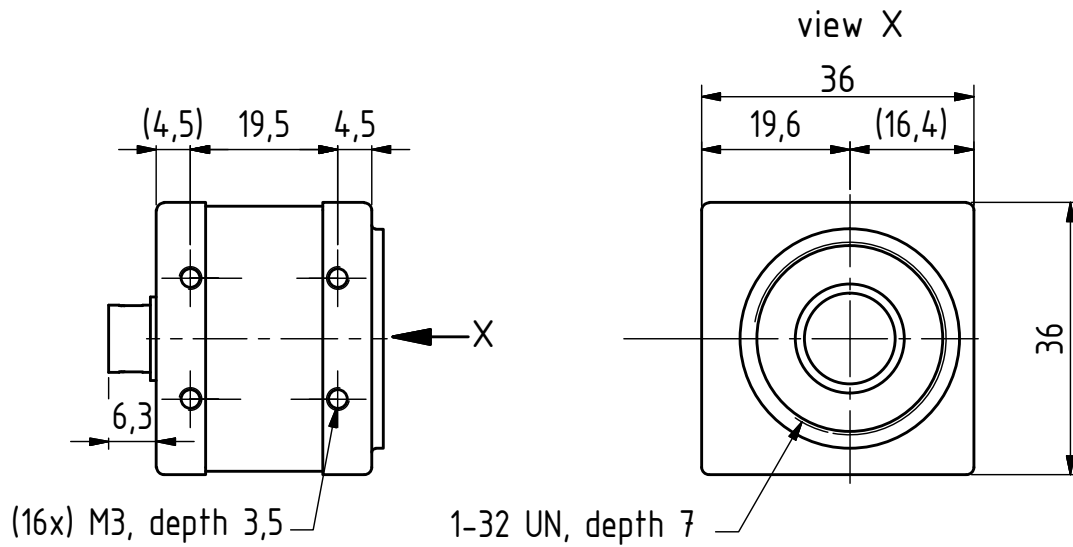
Dimensions: mm  
Tolerances: DIN ISO 2768m





# DxK 24UP031 DxK 24UJ003

(without tripod adapter)



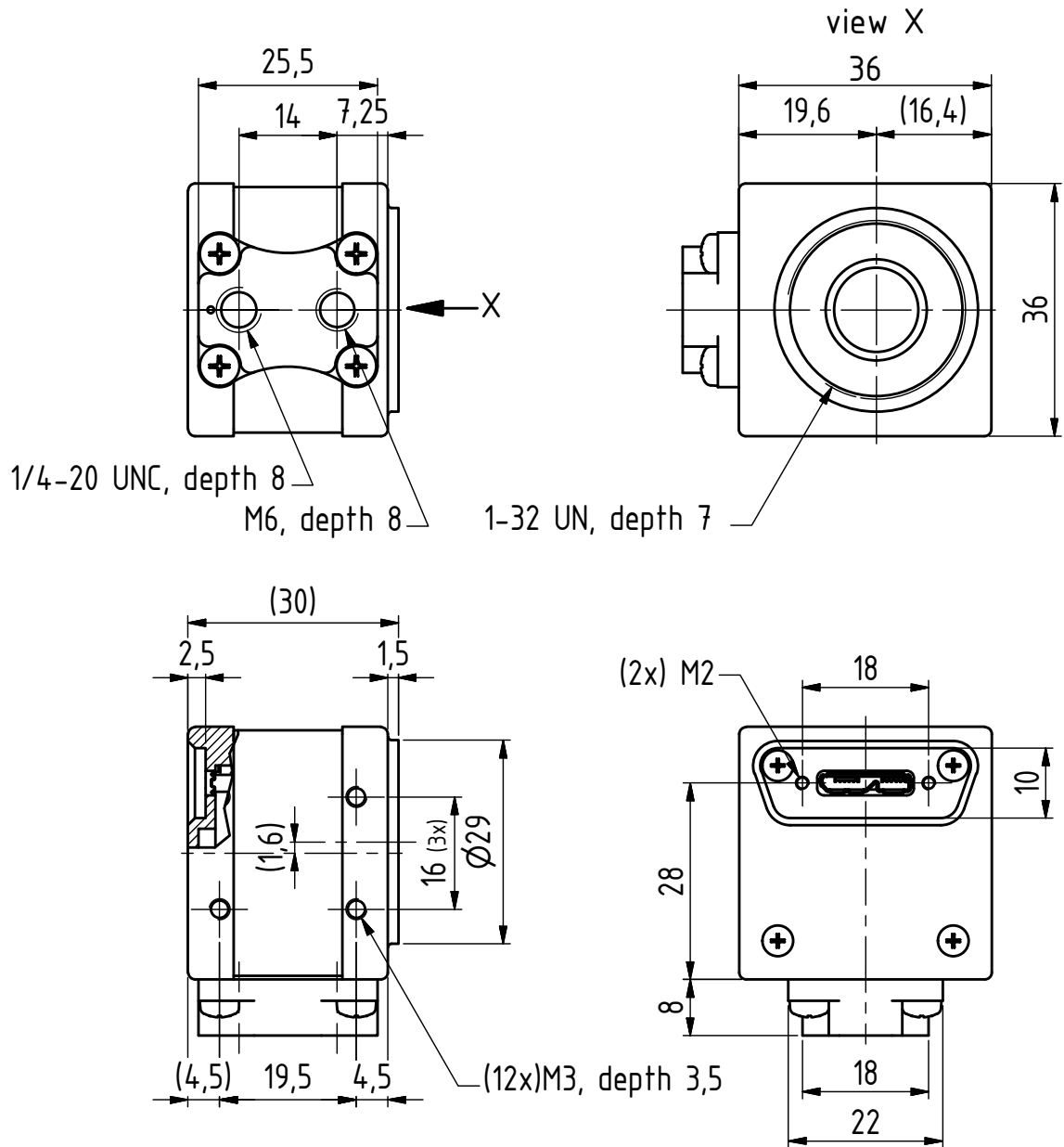
Dimensions: mm  
Tolerances: DIN ISO 2768m





# DxK 24UP031 DxK 24UJ003

(with tripod adapter)



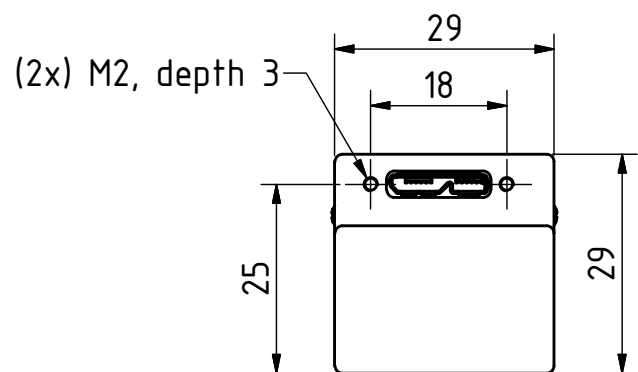
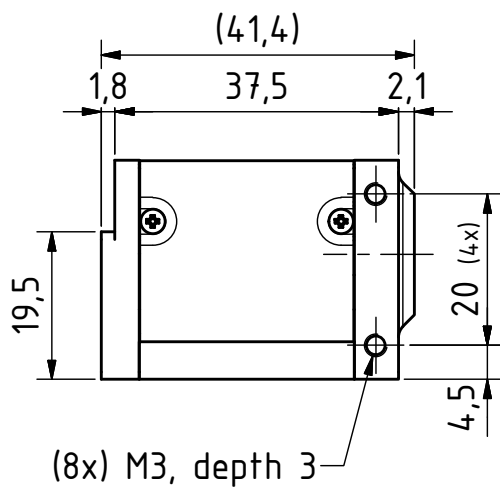
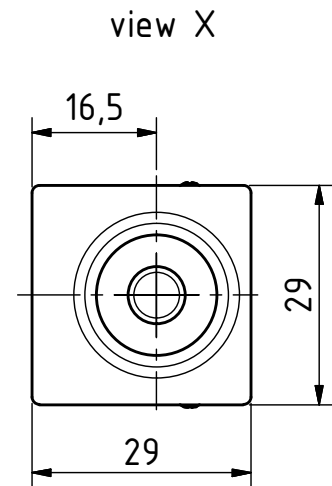
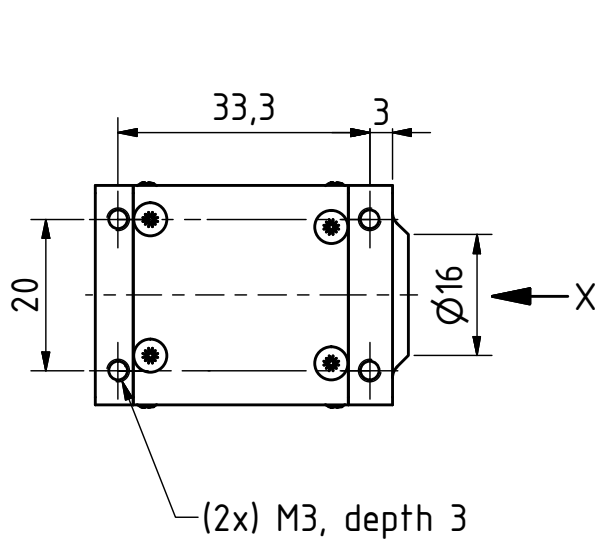
Dimensions: mm  
Tolerances: DIN ISO 2768m



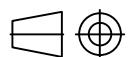


# DFK AFU130-L53

(without tripod adapter)



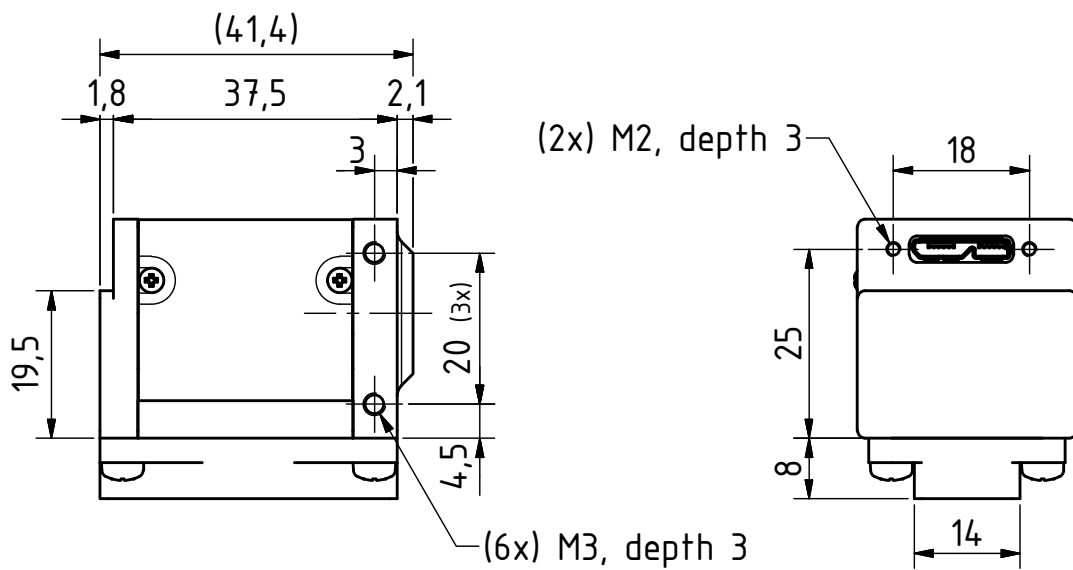
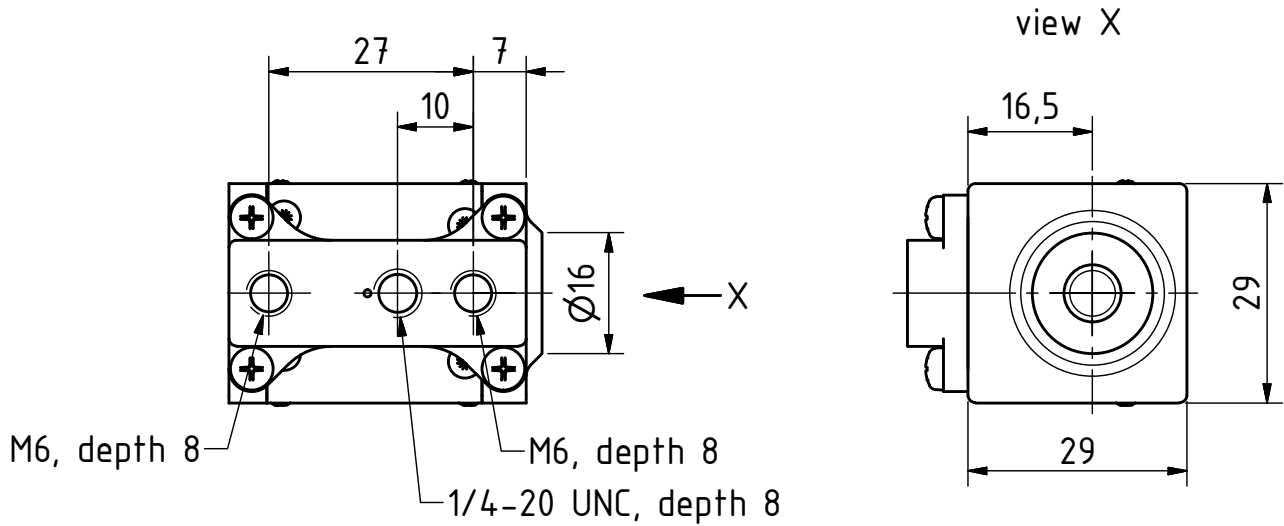
Dimensions: mm  
Tolerances: DIN ISO 2768m



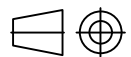


# DFK AFU130-L53

(with tripod adapter)



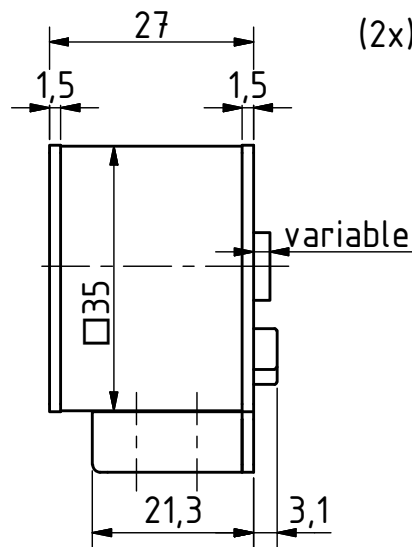
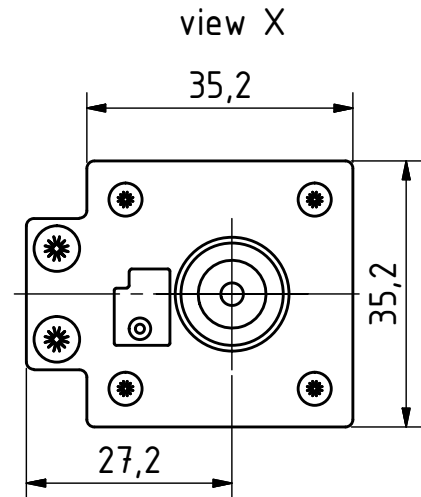
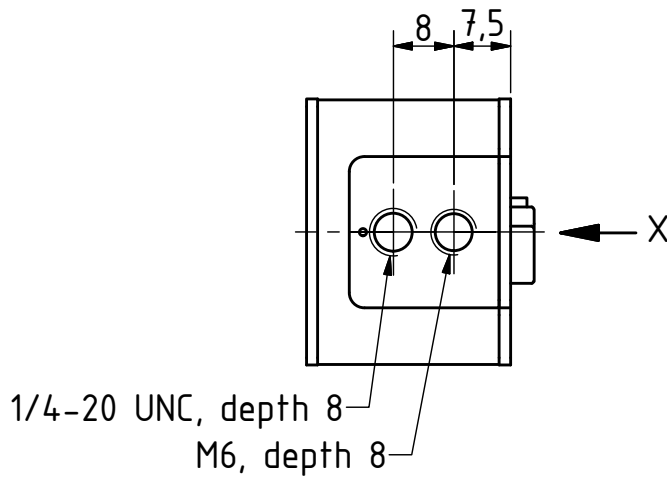
Dimensions: mm  
Tolerances: DIN ISO 2768m



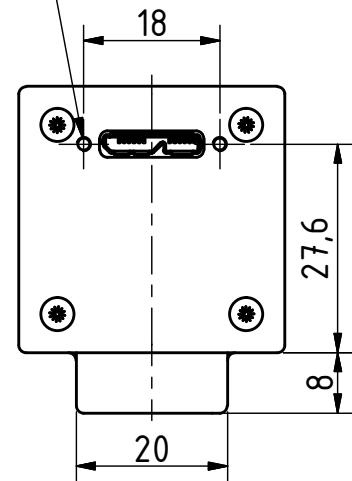


# DxK AFUP031-M12

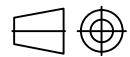
## DxK AFUI003-M12



(2x) M2, depth 1,5

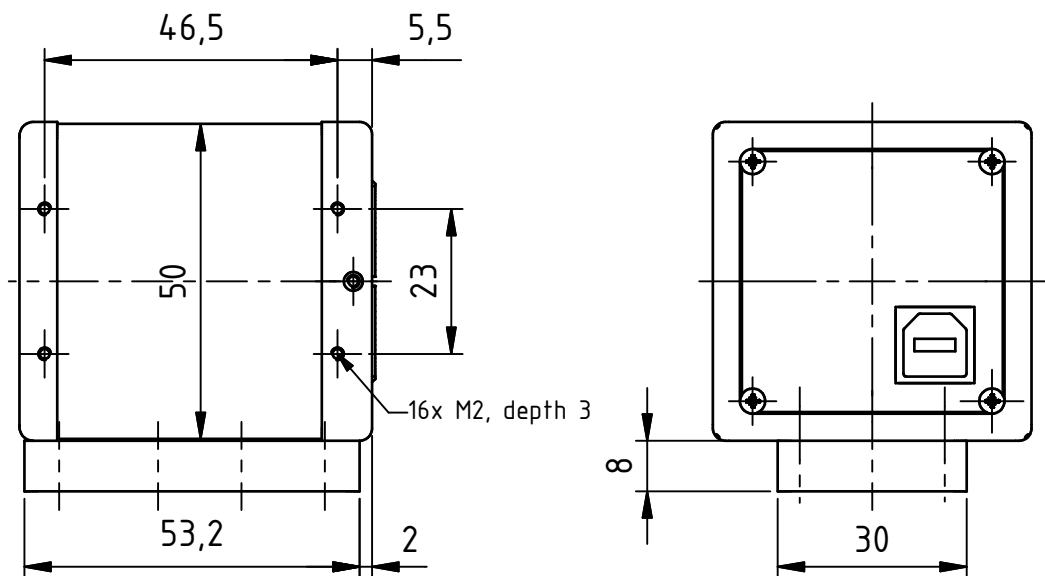
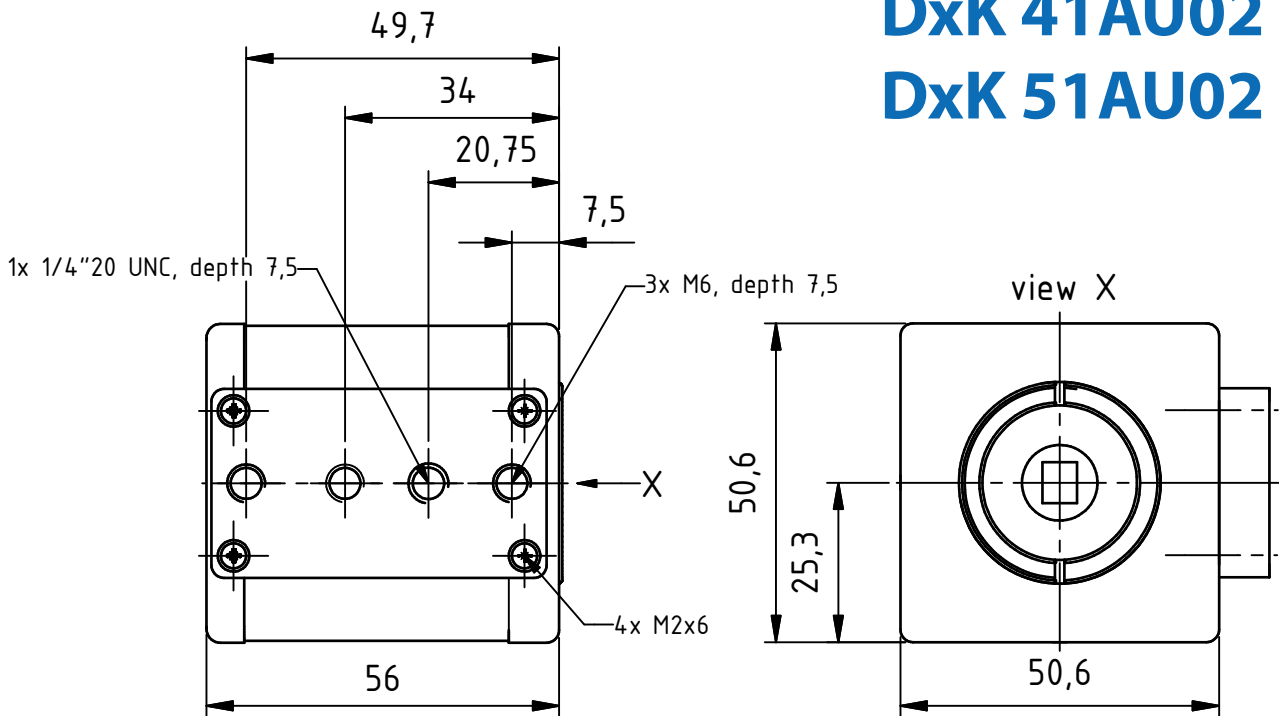


Dimensions: mm  
Tolerances: DIN ISO 2768m





**DxK 21AU618**  
**DxK 21AU04**  
**DxK 31AU03**  
**DxK 41AU02**  
**DxK 51AU02**

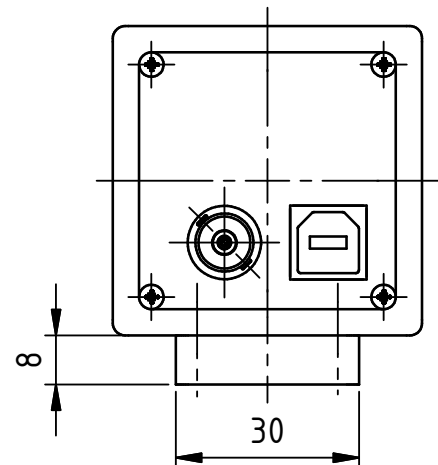
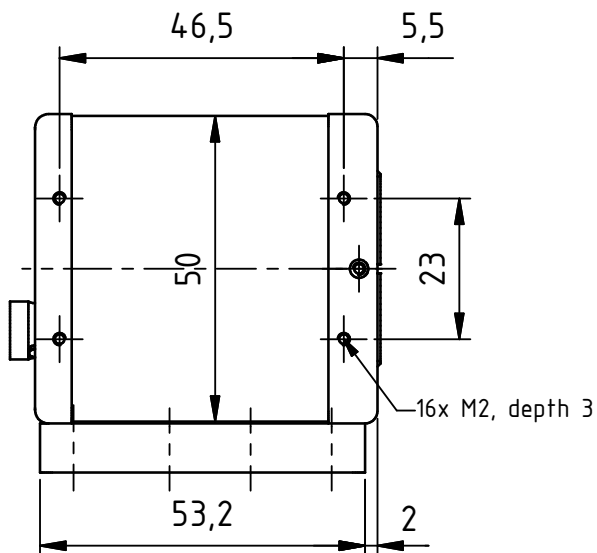
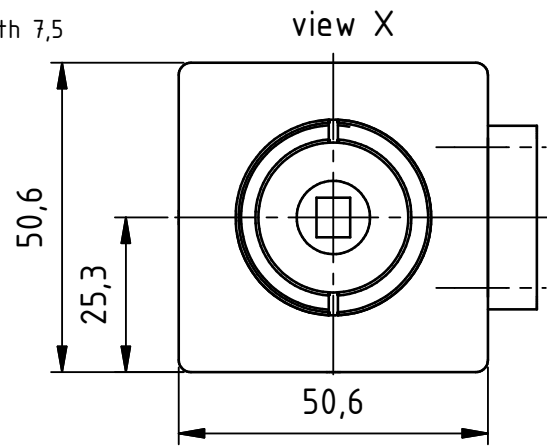
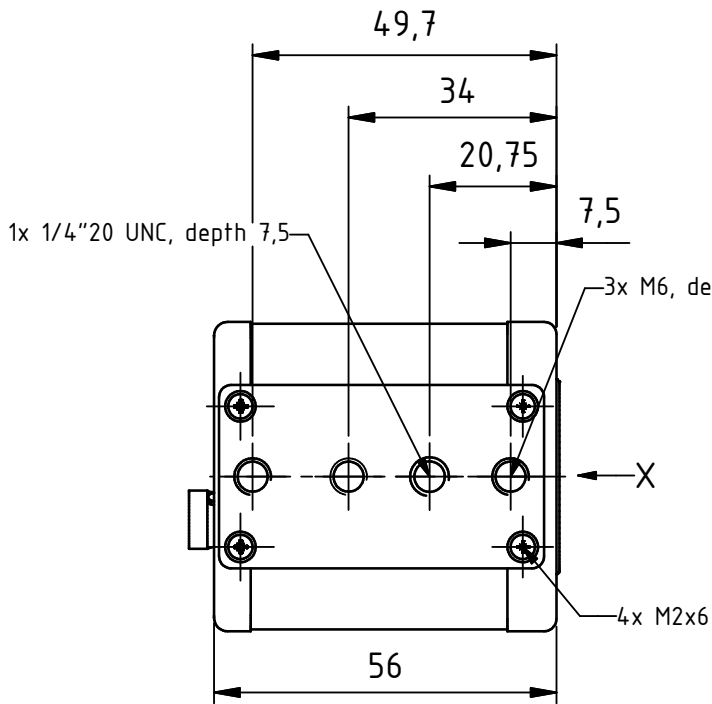


Dimensions: mm  
Tolerances: DIN ISO 2768m





**DxK 21BU618**  
**DxK 21BU04**  
**DxK 31BU03**  
**DxK 41BU02**  
**DxK 51BU02**



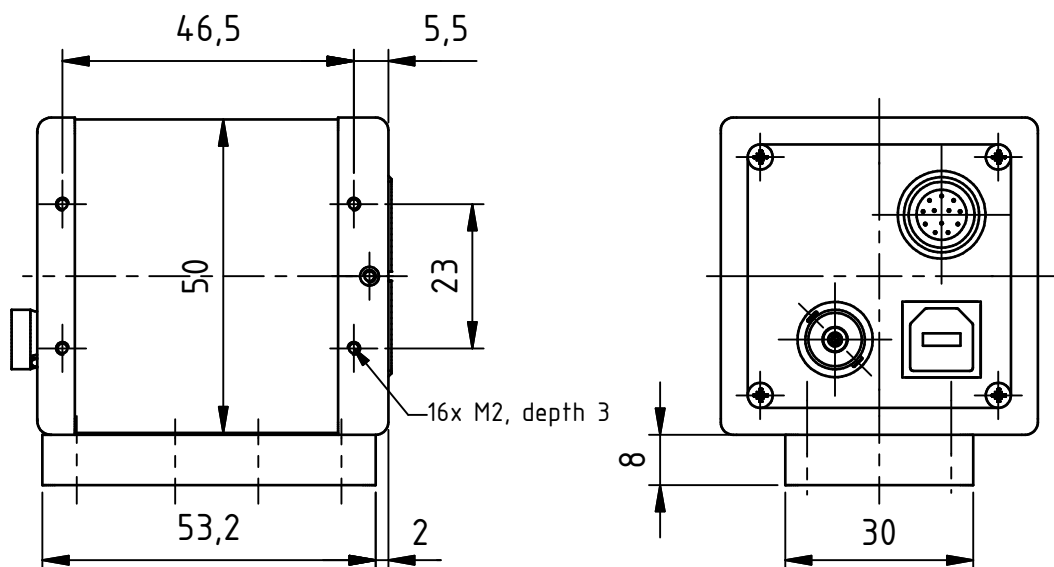
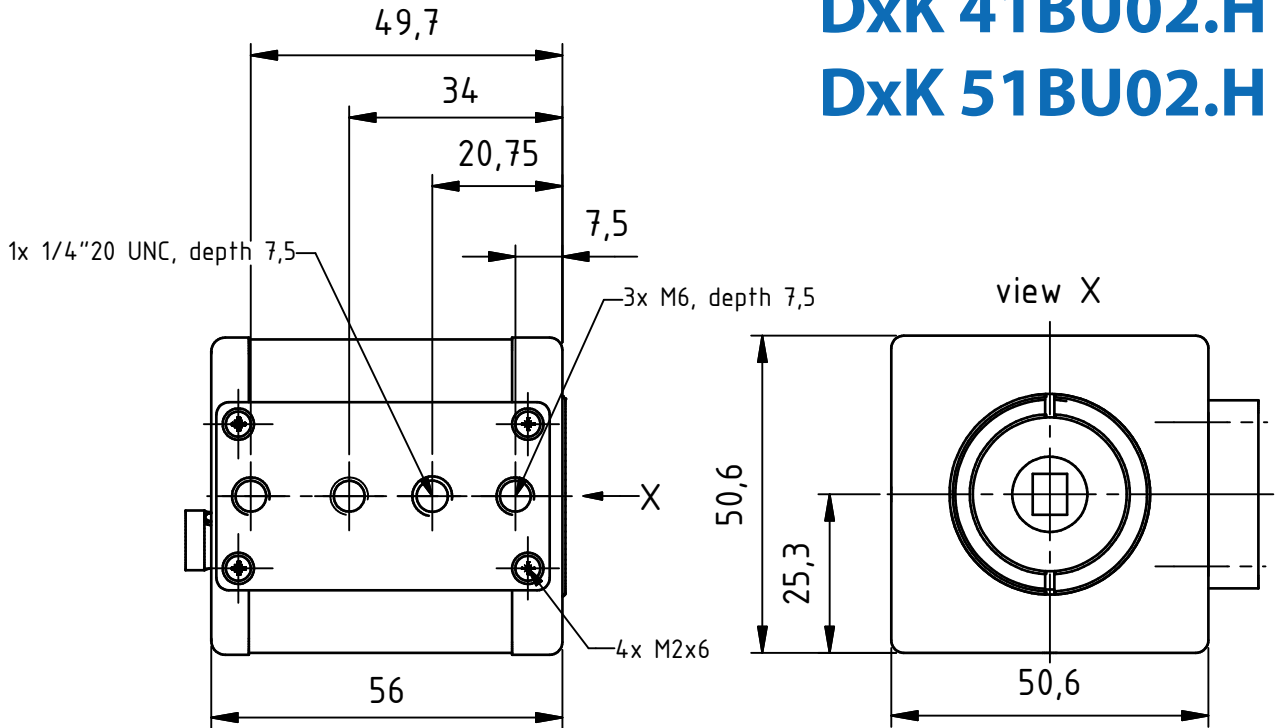
Dimensions: mm  
Tolerances: DIN ISO 2768m



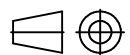




**DxK 21BU618.H**  
**DxK 21BU04.H**  
**DxK 31BU03.H**  
**DxK 41BU02.H**  
**DxK 51BU02.H**

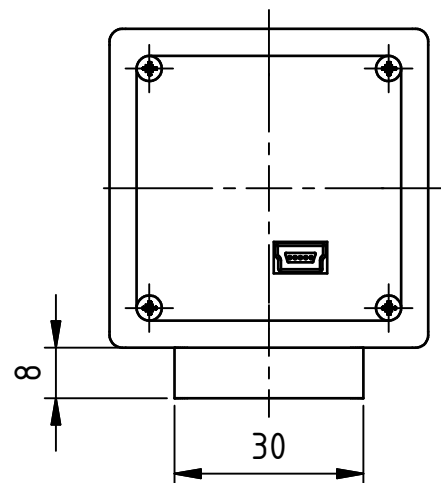
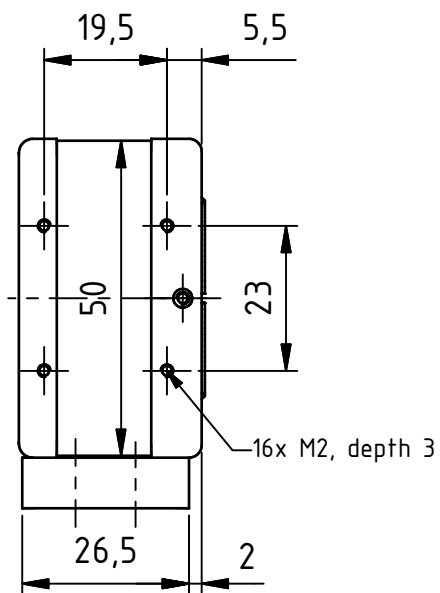
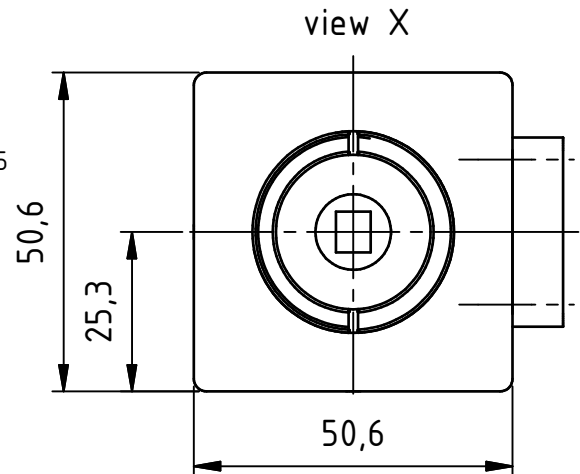
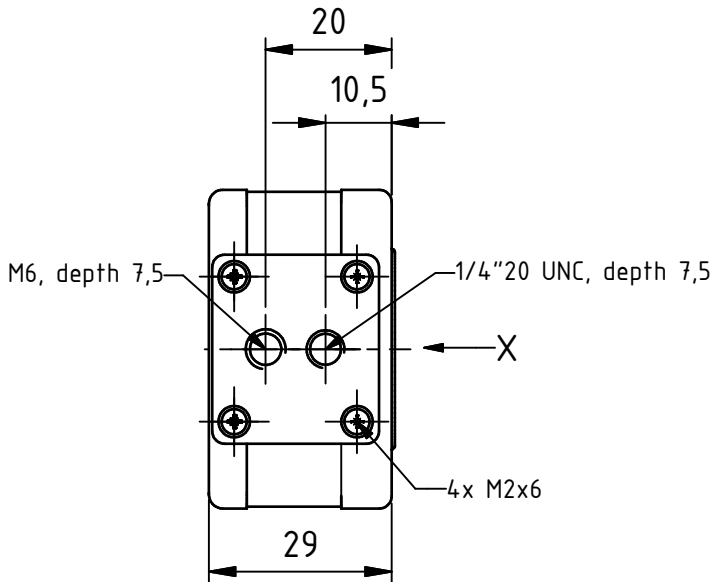


Dimensions: mm  
Tolerances: DIN ISO 2768m





# DxK 21AUC03 DMK 41AUC02 DxK 61AUC02

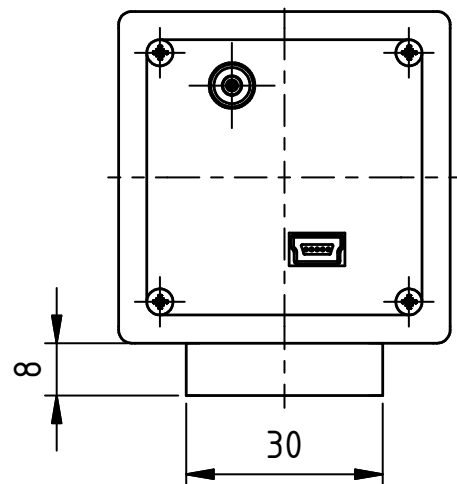
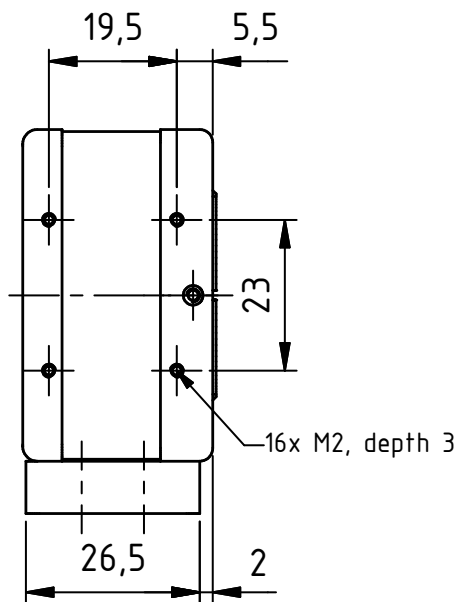
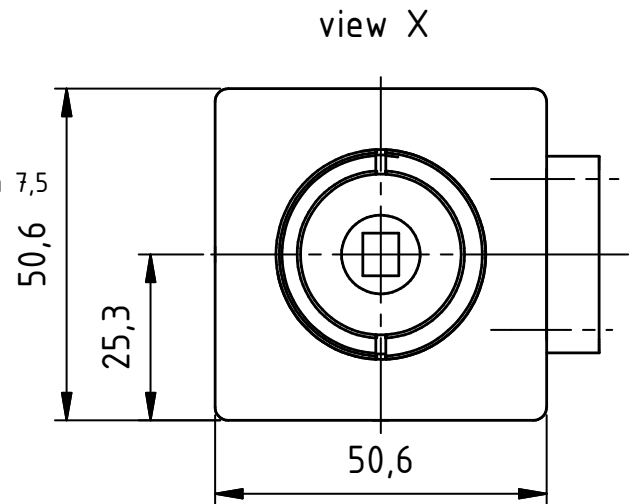
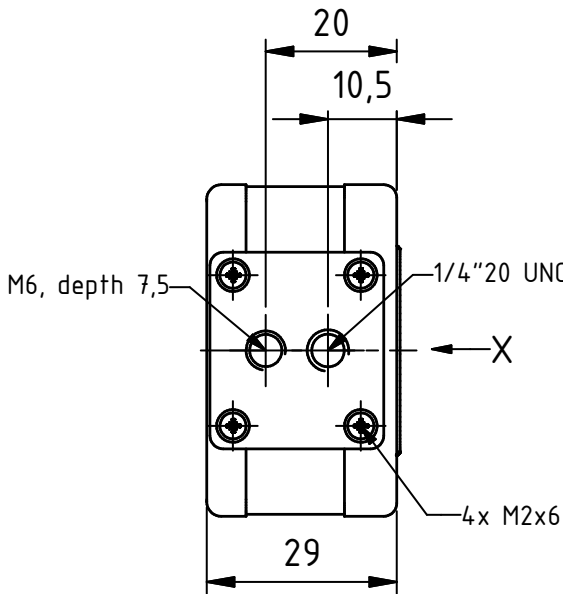


Dimensions: mm  
Tolerances: DIN ISO 2768m

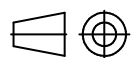




# DxK 21BUC03 DMK 41BUC02 DxK 61BUC02

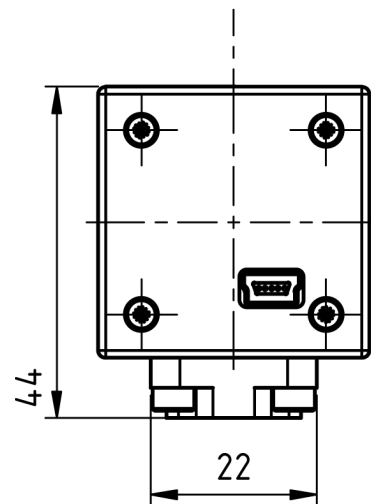
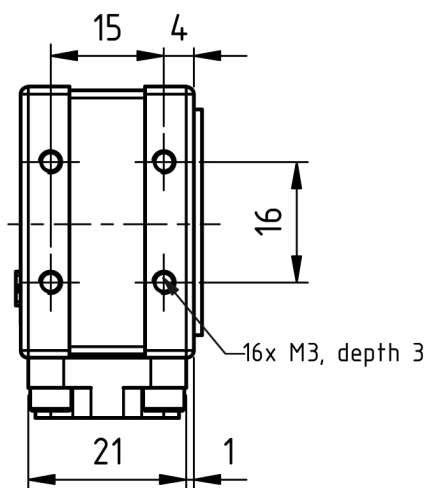
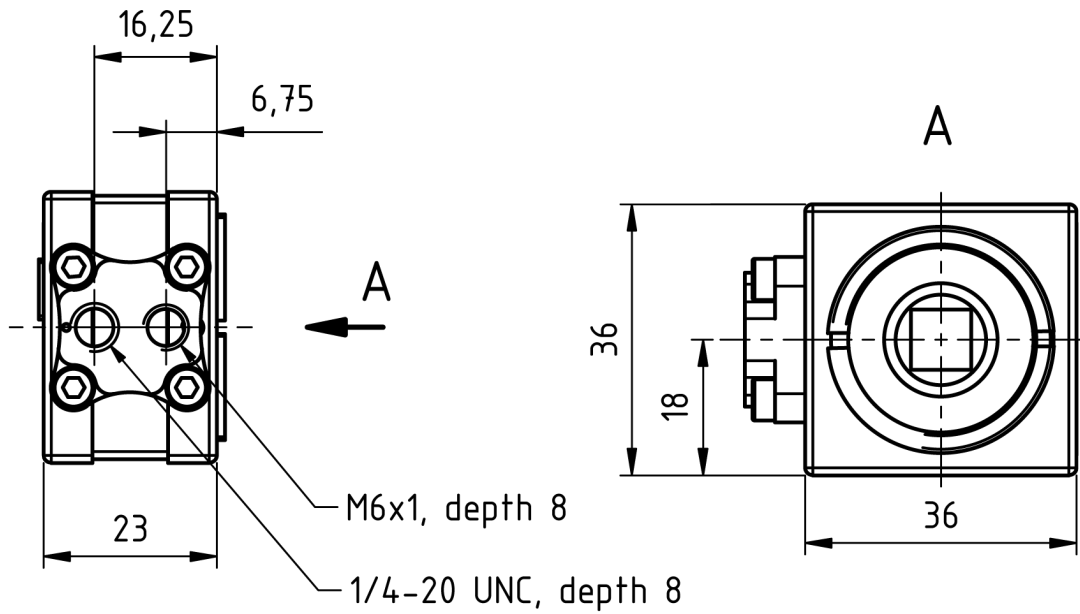


Dimensions: mm  
Tolerances: DIN ISO 2768m





# DxK 22AUC03 DxK 42AUC03 DxK 72AUC02

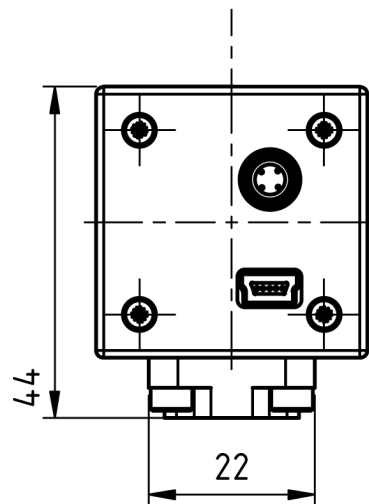
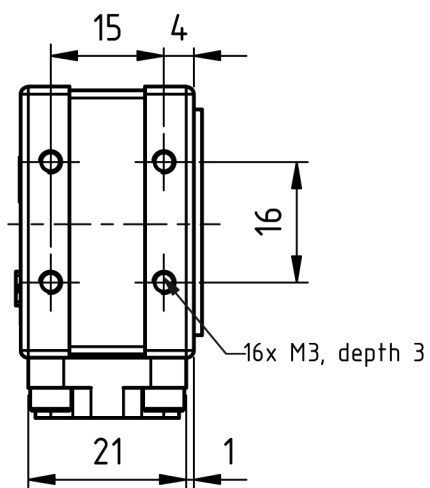
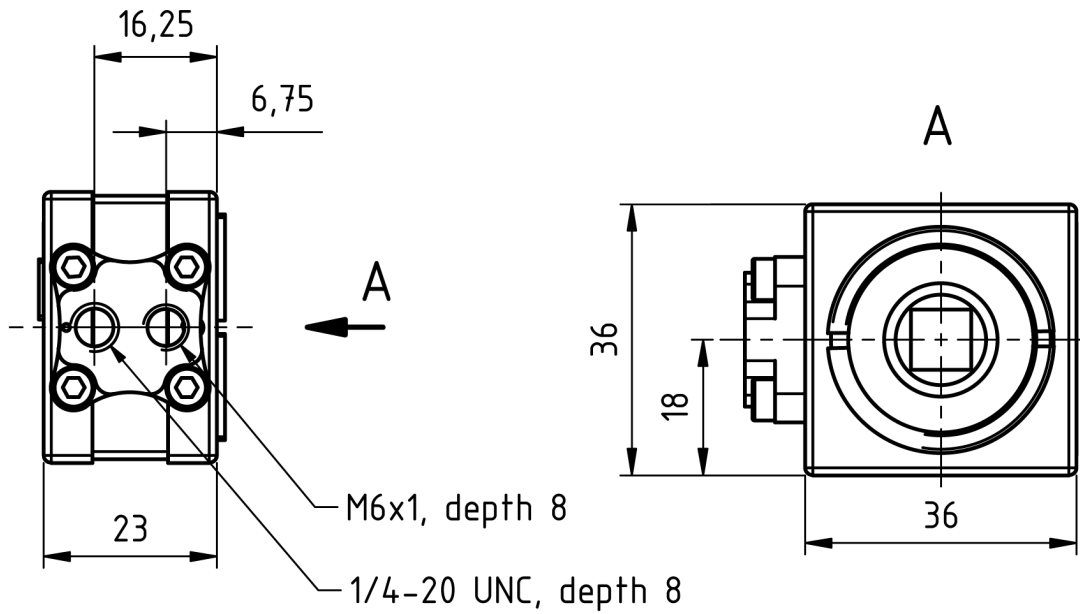


Dimensions: mm  
Tolerances: DIN ISO 2768m





# DxK 22BUC03 DxK 42BUC03 DxK 72BUC02

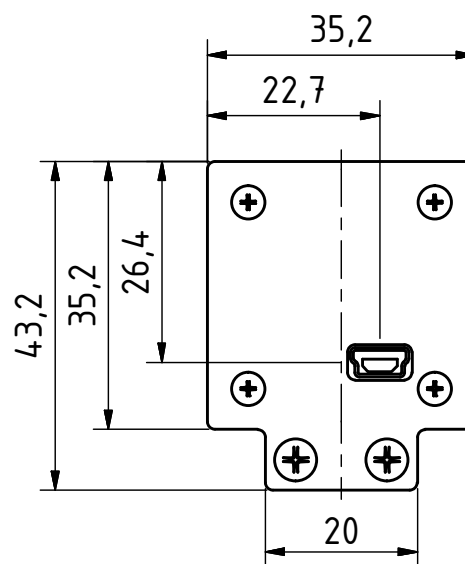
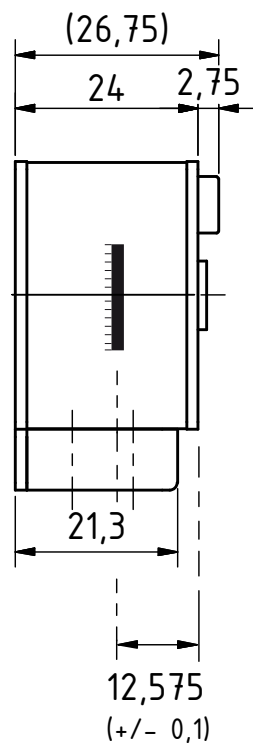
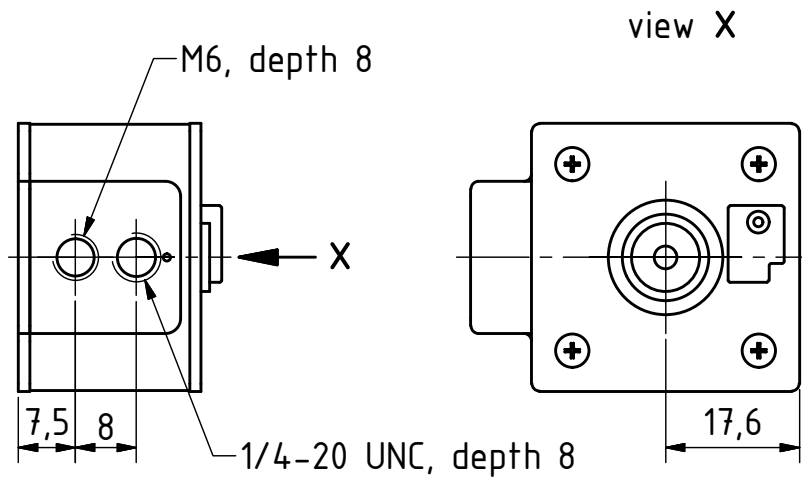


Dimensions: mm  
Tolerances: DIN ISO 2768m





# DxK 22AUC03-F DxK 42AUC03-F DxK 72AUC02-F

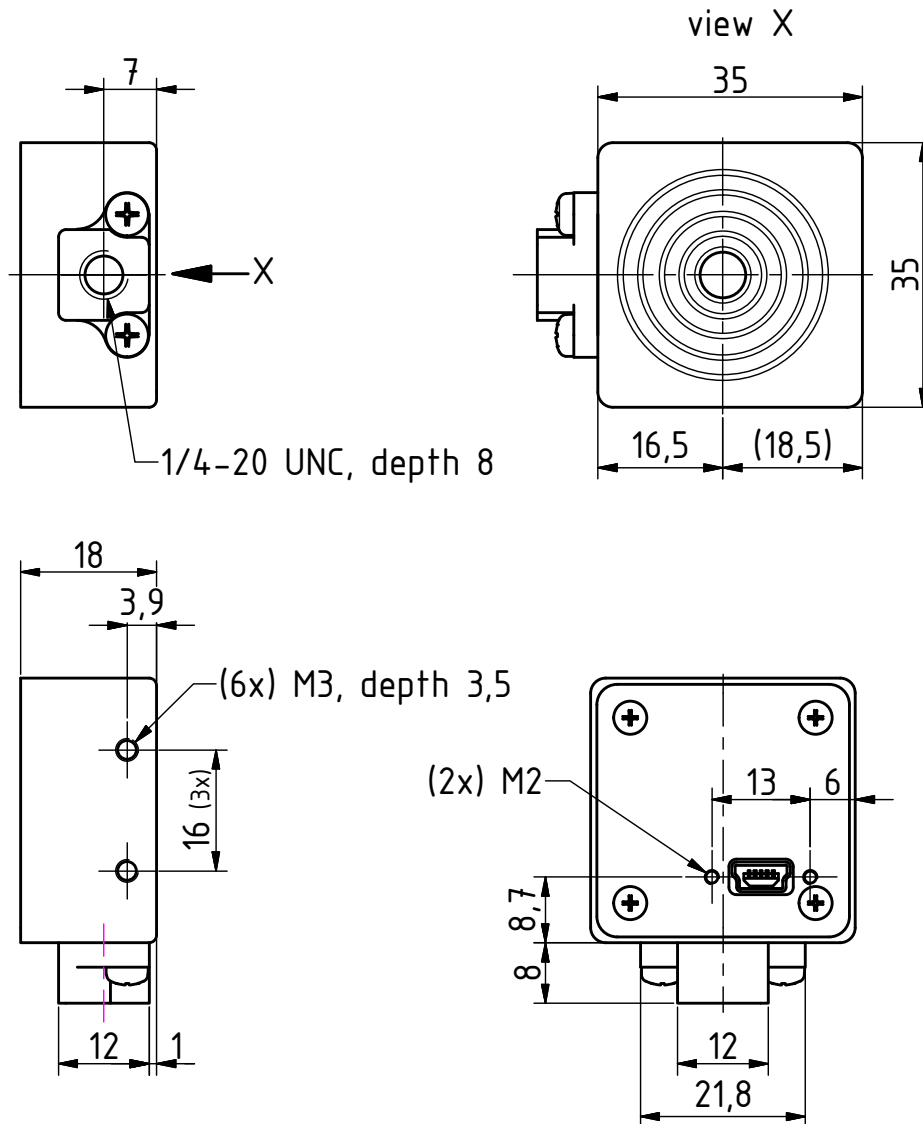


Dimensions: mm  
Tolerances: DIN ISO 2768m

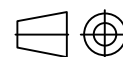




# DFK AFU050-L34

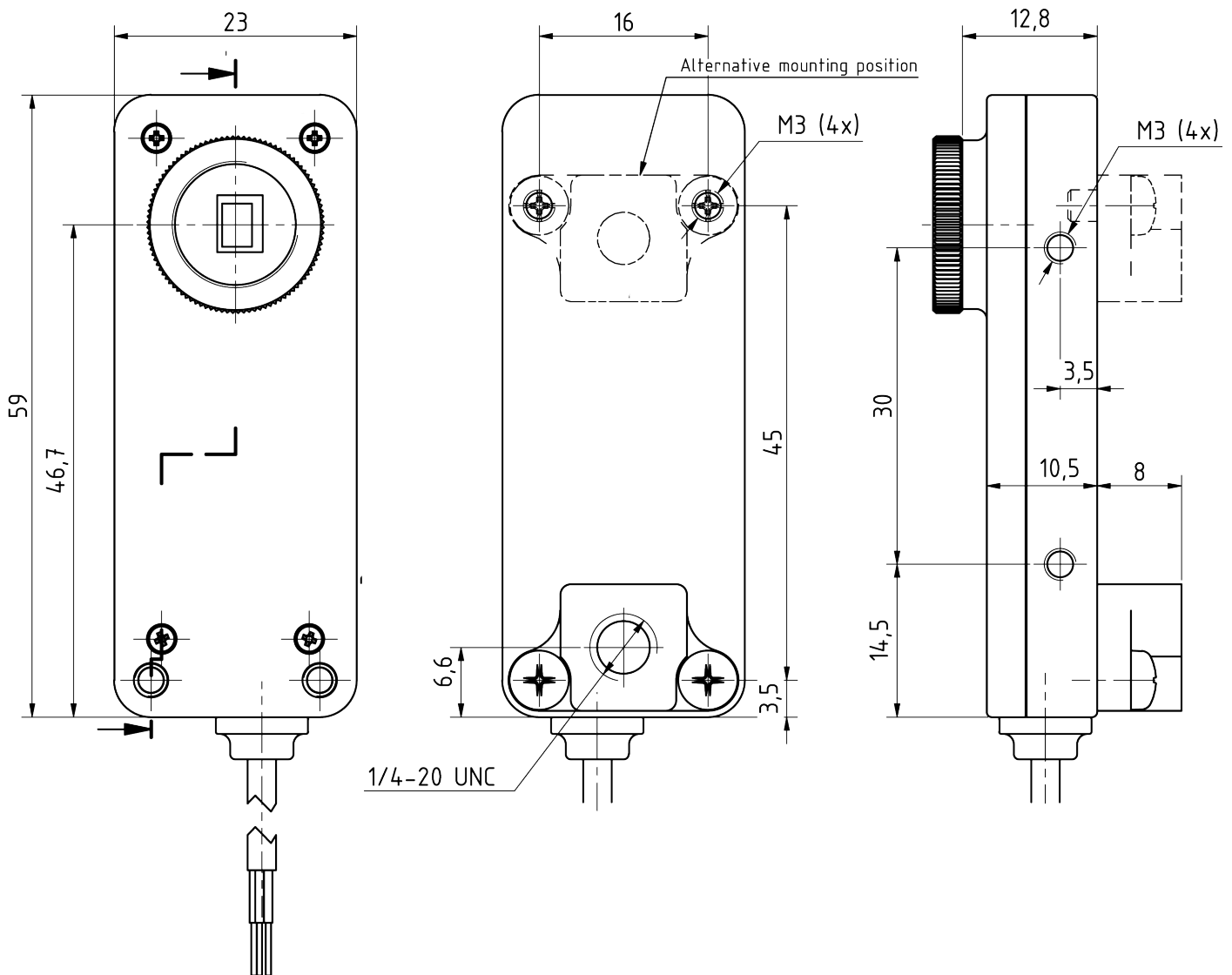


Dimensions: mm  
Tolerances: DIN ISO 2768m





# DFK ECU010-M12



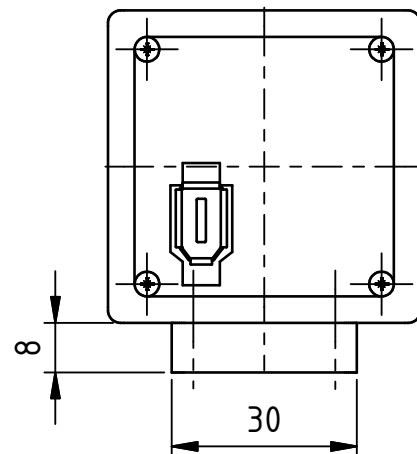
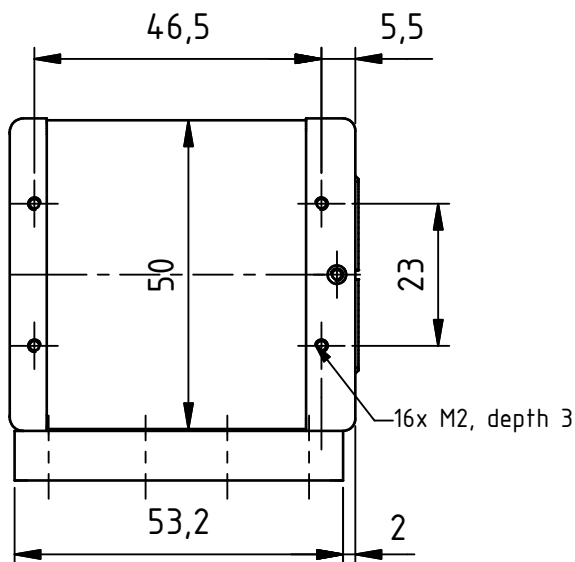
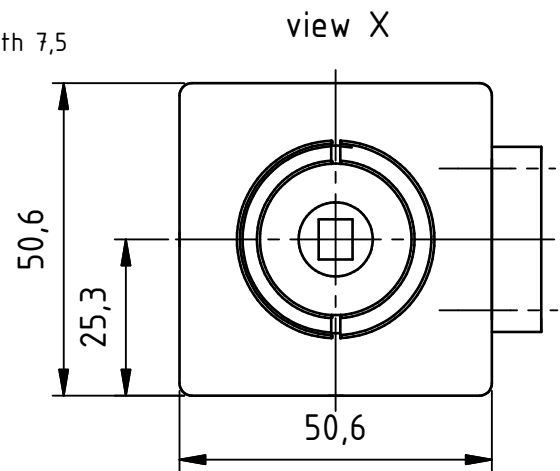
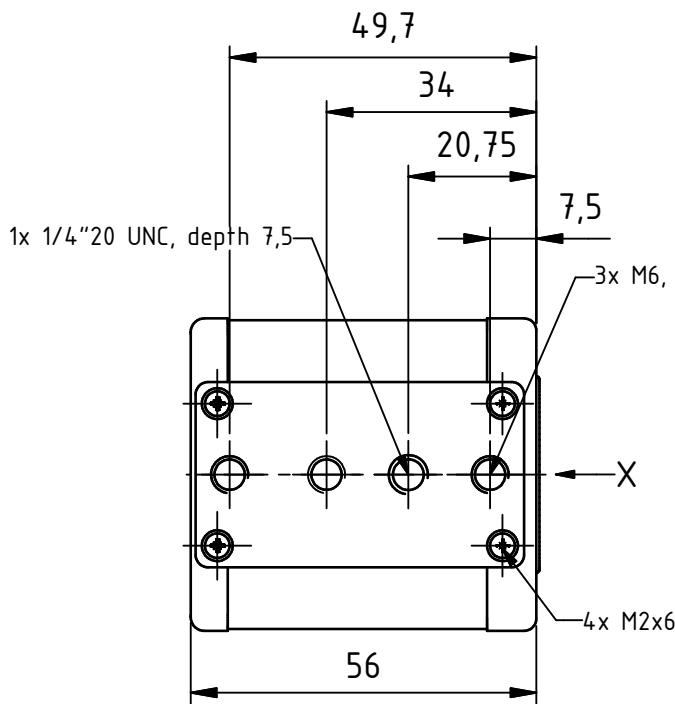
Dimensions: mm  
Tolerances: DIN ISO 2768m







# DxK 21AF618 DxK 21AF04 DxK 31AF03 DxK 41AF02



Dimensions: mm  
Tolerances: DIN ISO 2768m



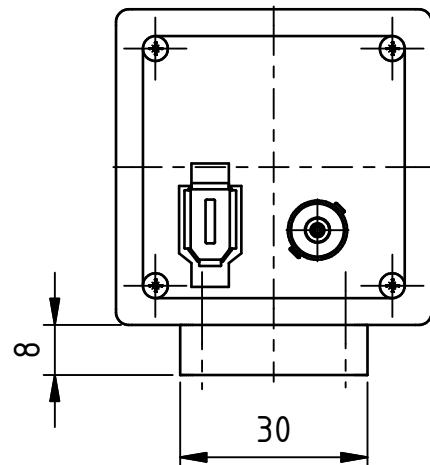
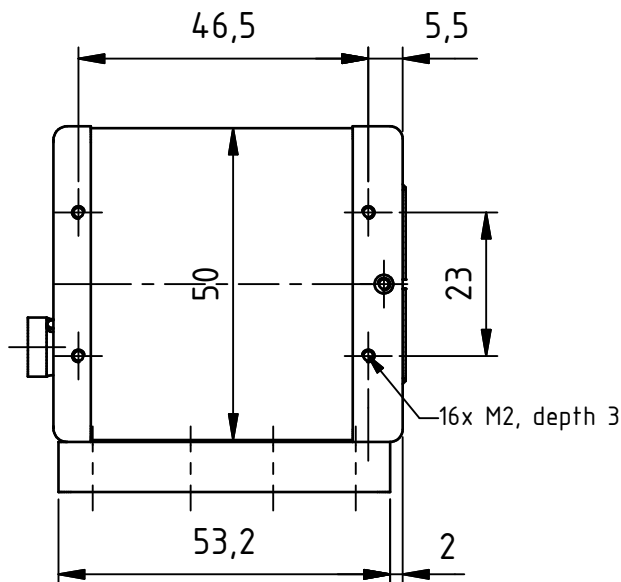
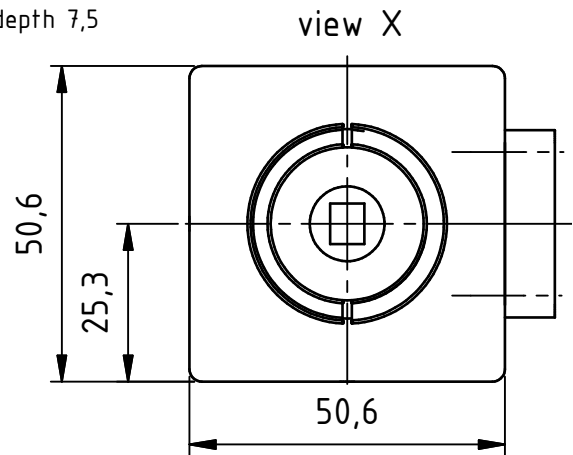
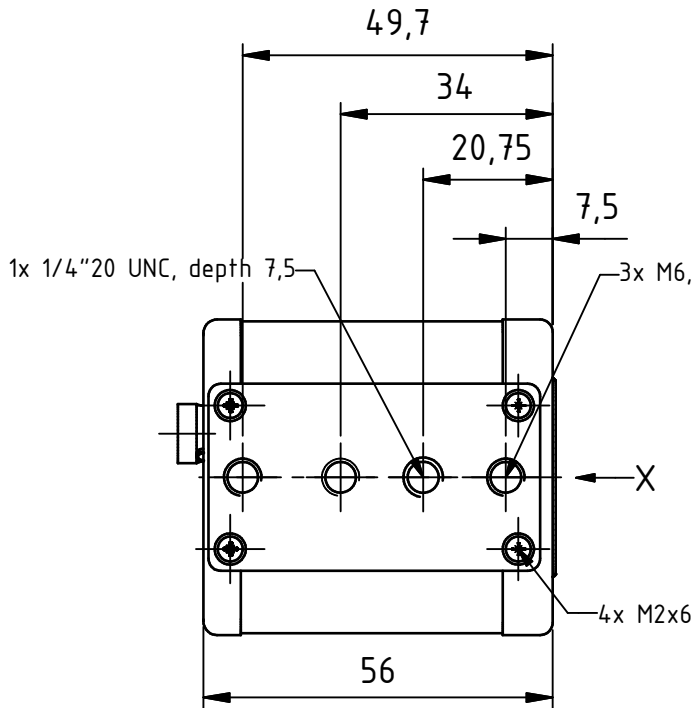


# DxK 21BF618

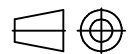
## DxK 21BF04

## DxK 31BF03

## DxK 41BF02

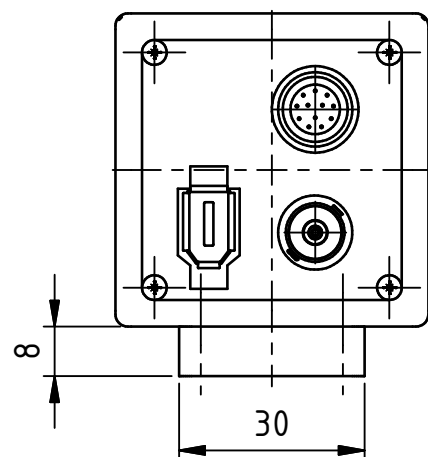
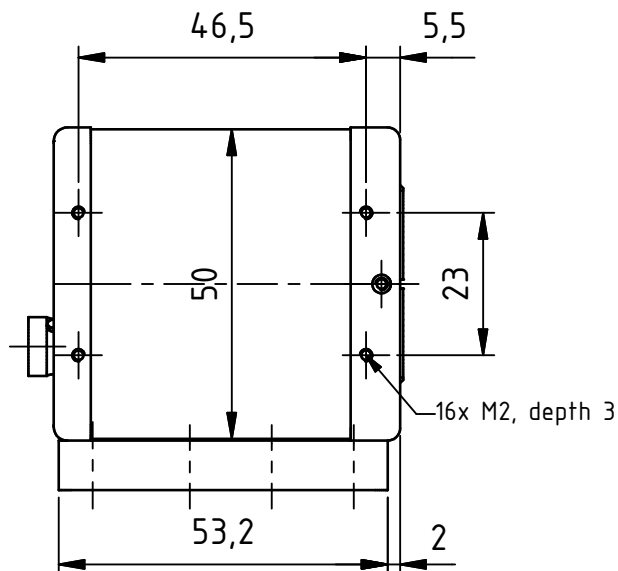
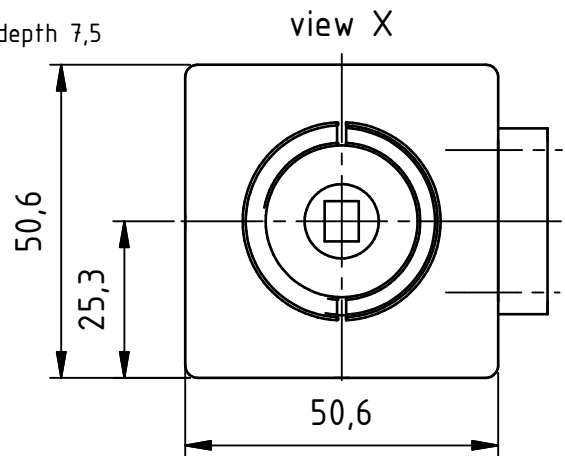
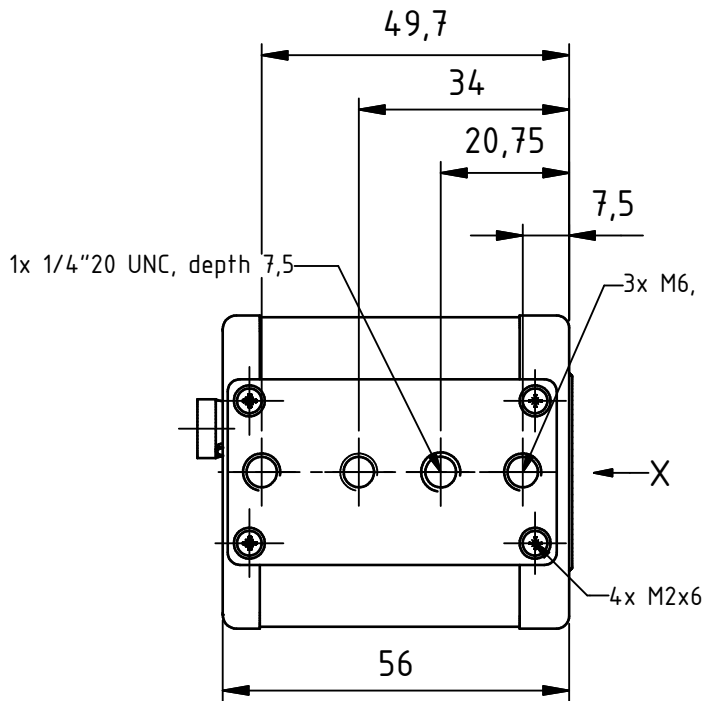


Dimensions: mm  
Tolerances: DIN ISO 2768m





# DxK 21BF618.H DxK 21BF04.H DxK 31BF03.H DxK 41BF02.H



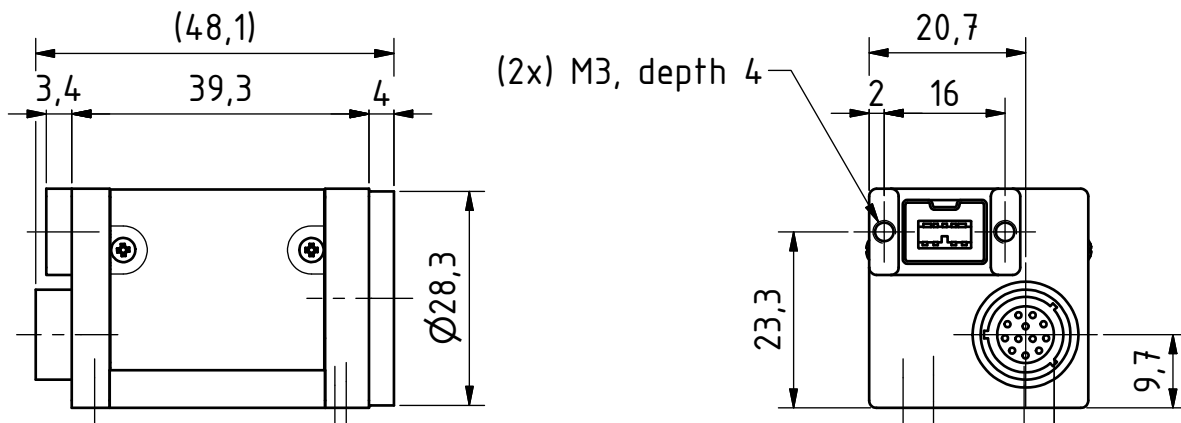
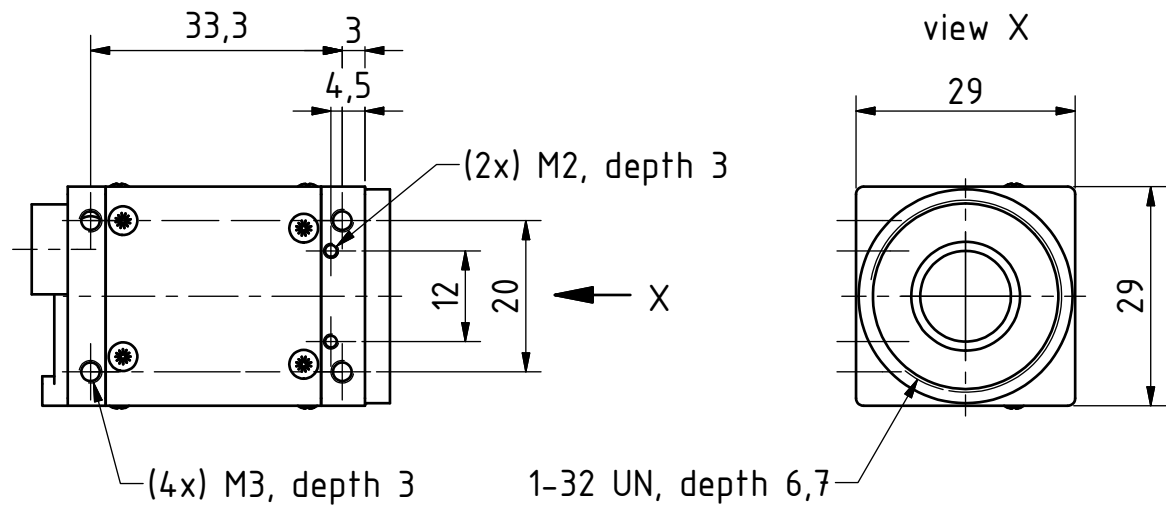
Dimensions: mm  
Tolerances: DIN ISO 2768m





# DxK 23F618 DxK 23F445 DxK 23F274

(without tripod adapter)



Dimensions: mm  
Tolerances: DIN ISO 2768m



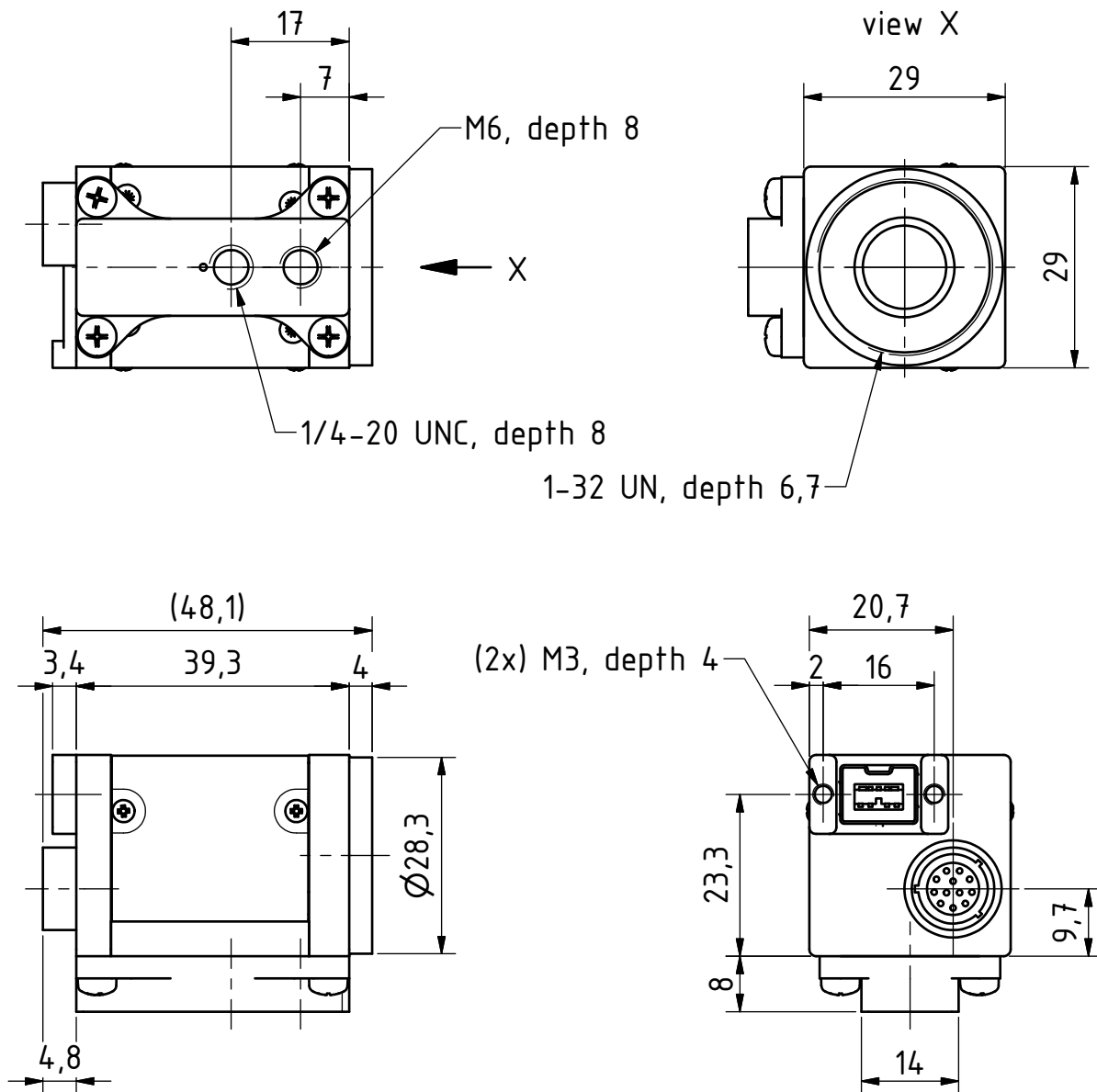


**DxK 23F618**

**DxK 23F445**

**DxK 23F274**

**(with tripod adapter)**



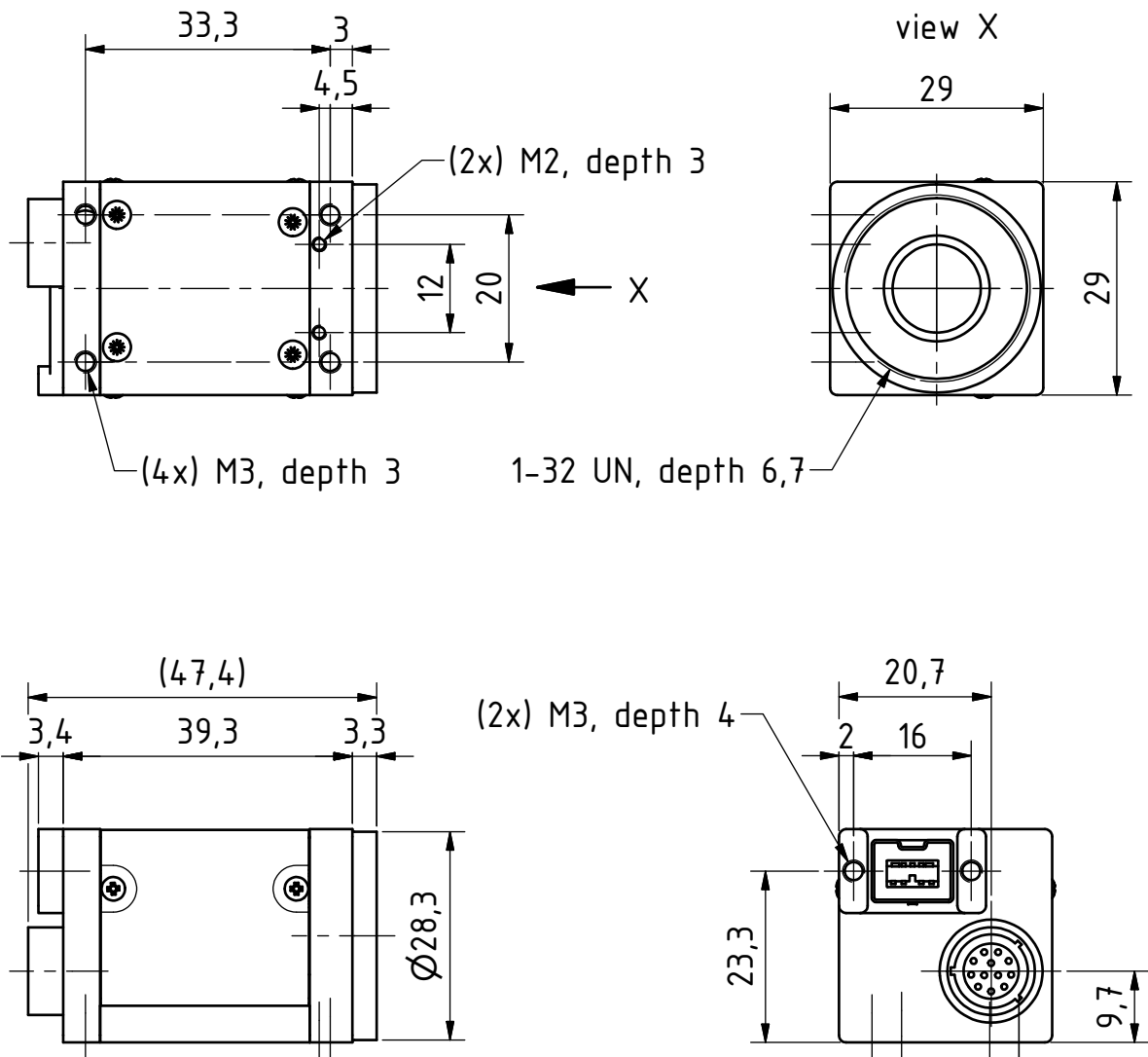
Dimensions: mm  
Tolerances: DIN ISO 2768m





# DxK 23FV024 DxK 23FM021 DxK 23FP031

(without tripod adapter)



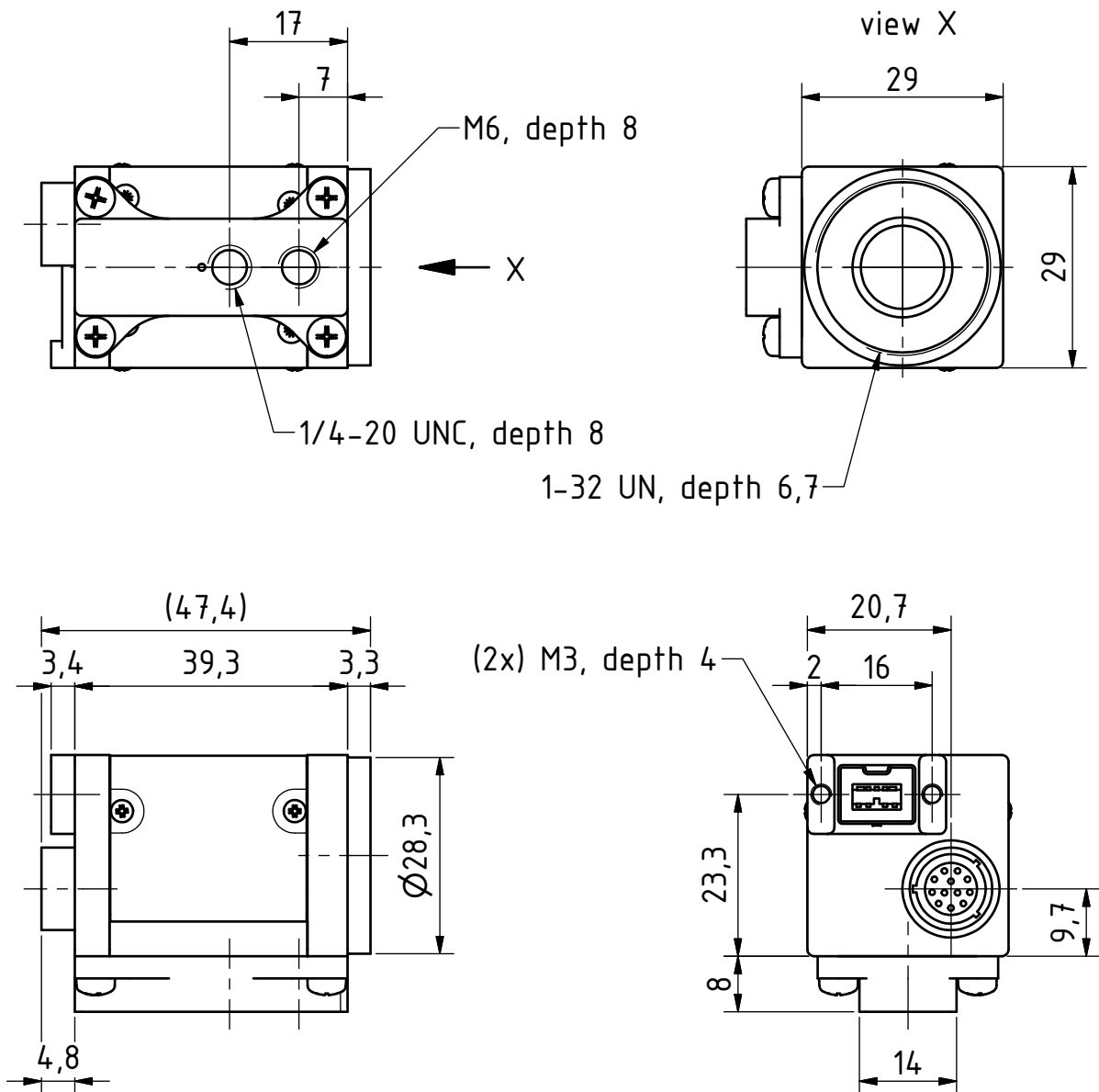
Dimensions: mm  
Tolerances: DIN ISO 2768m





# DxK 23FV024 DxK 23FM021 DxK 23FP031

(with tripod adapter)

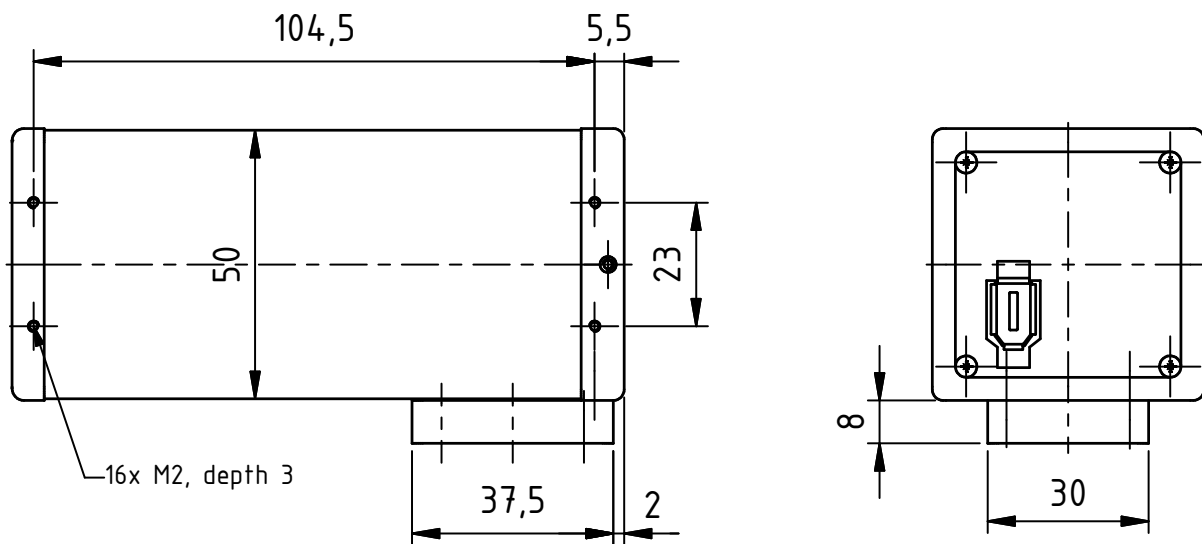
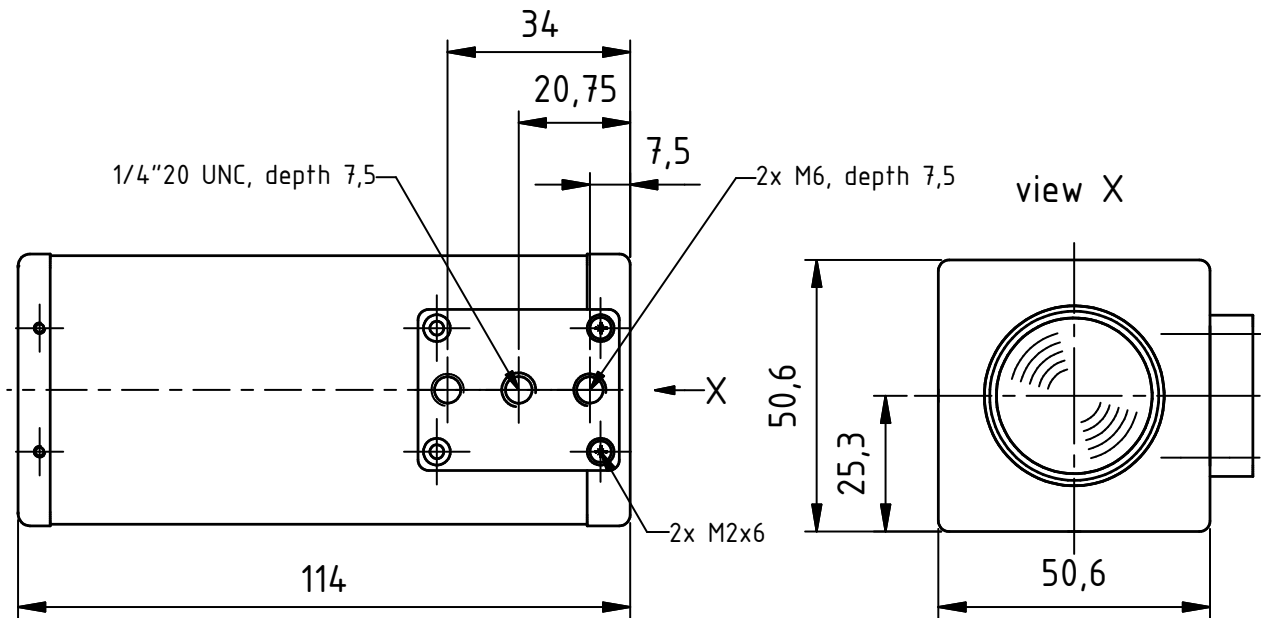


Dimensions: mm  
Tolerances: DIN ISO 2768m





# Dxx 21AF04-Z2 Dxx 31AF03-Z2



Dimensions: mm  
Tolerances: DIN ISO 2768m

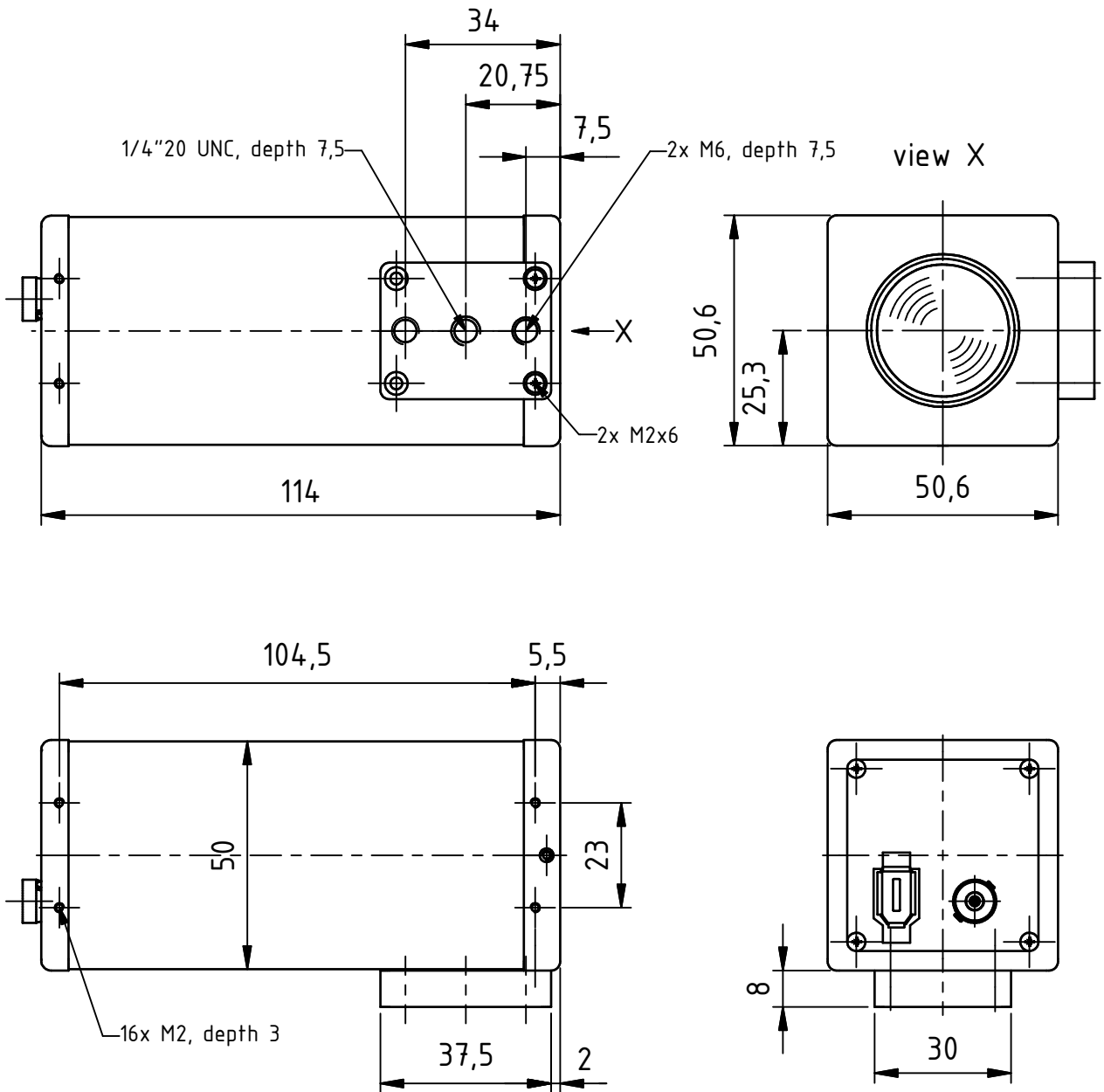






# Dxx 21BF04-Z2

# Dxx 31BF03-Z2

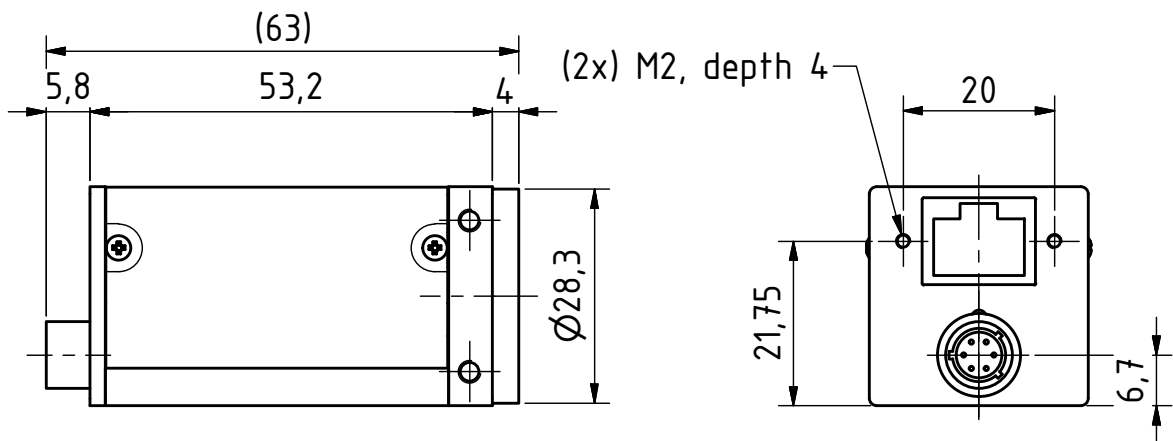
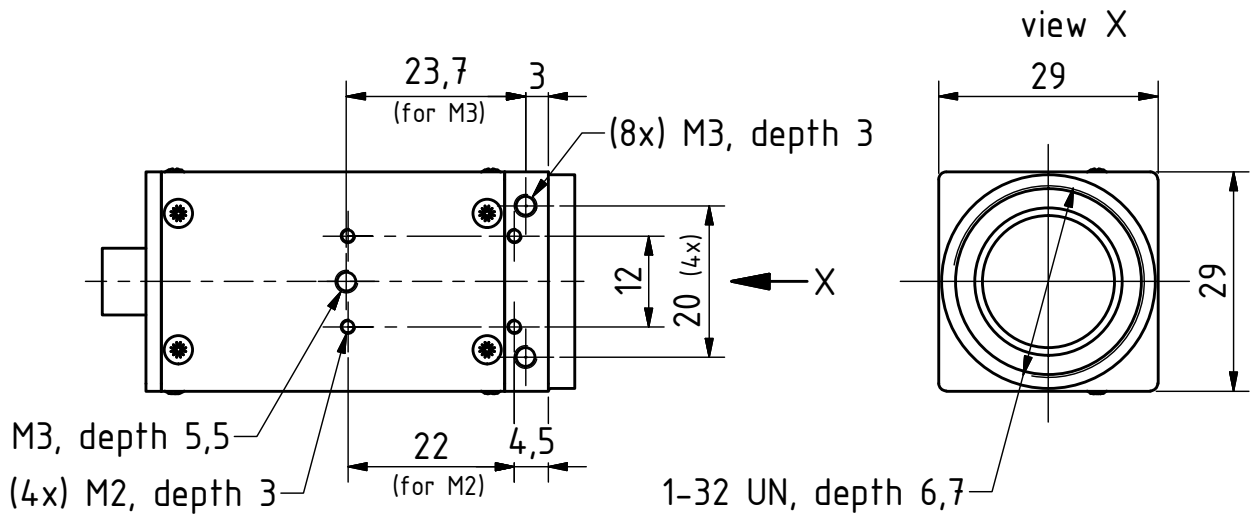


Dimensions: mm  
Tolerances: DIN ISO 2768m



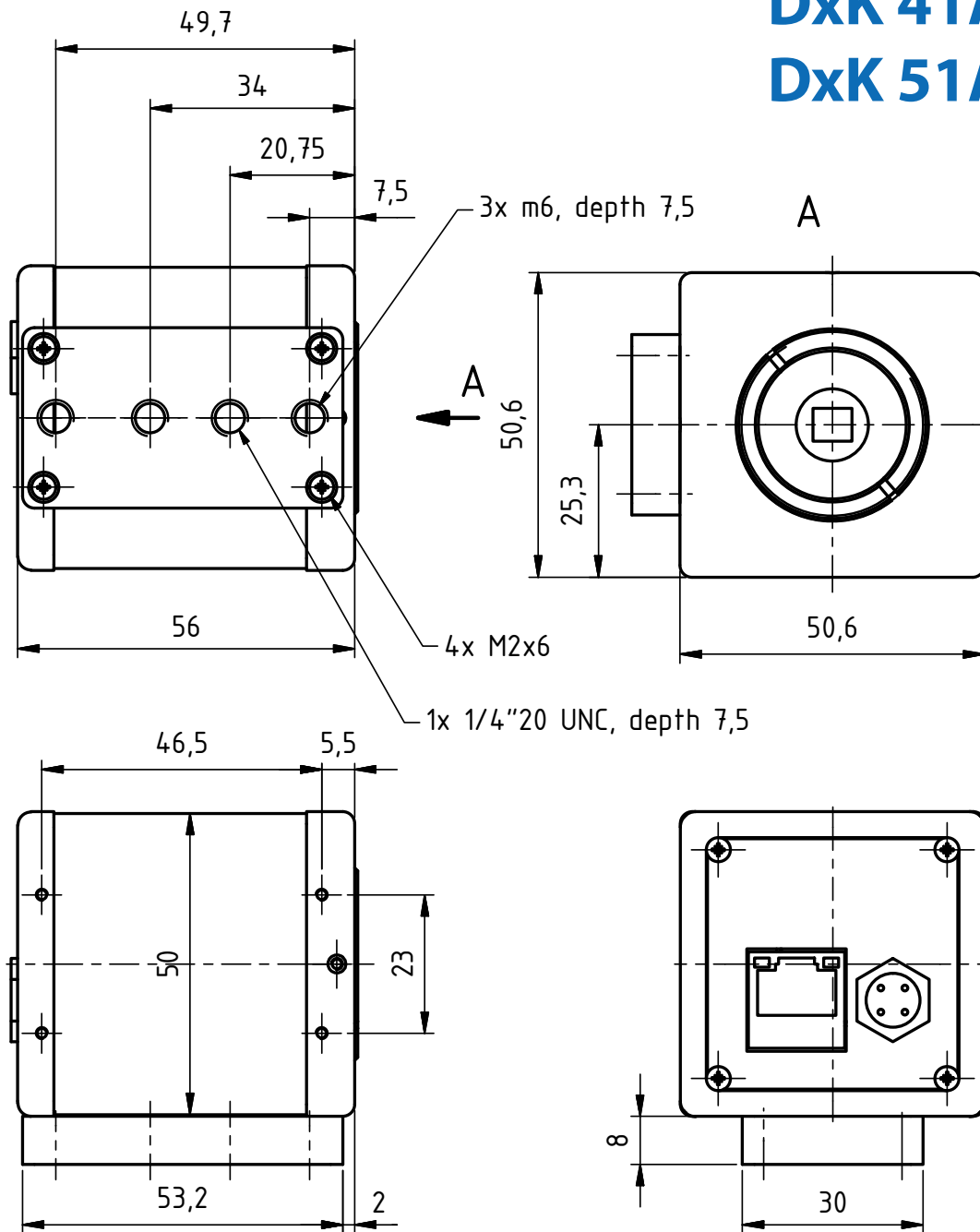


# Dxx 21BF04-Z2.H Dxx 31BF03-Z2.H





**DxK 21AG618**  
**DxK 21AG04**  
**DxK 31AG03**  
**DxK 41AG02**  
**DxK 51AG02**

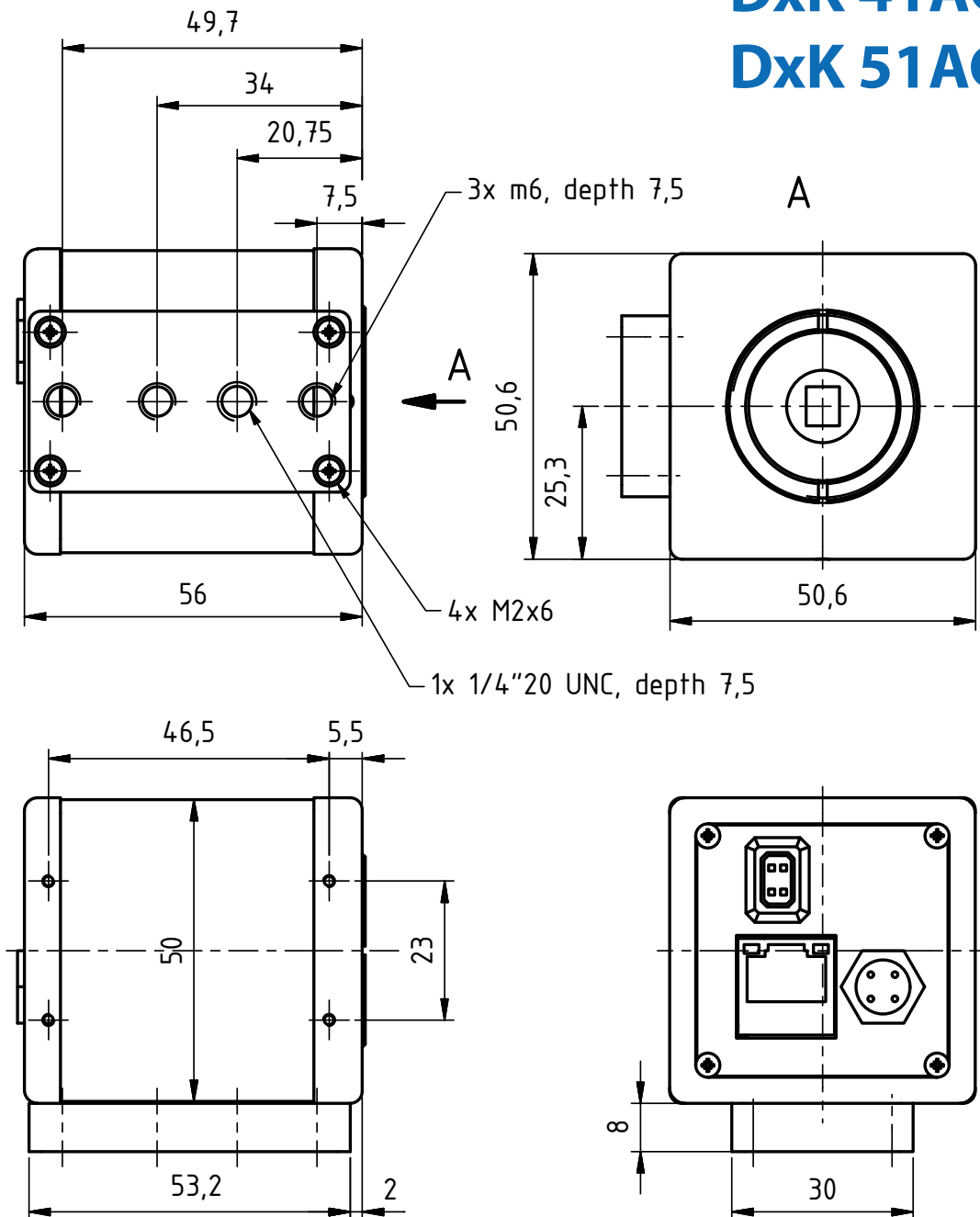


Dimensions: mm  
Tolerances: DIN ISO 2768m





**DxK 21AG618.I**  
**DxK 21AG04.I**  
**DxK 31AG03.I**  
**DxK 41AG02.I**  
**DxK 51AG02.I**

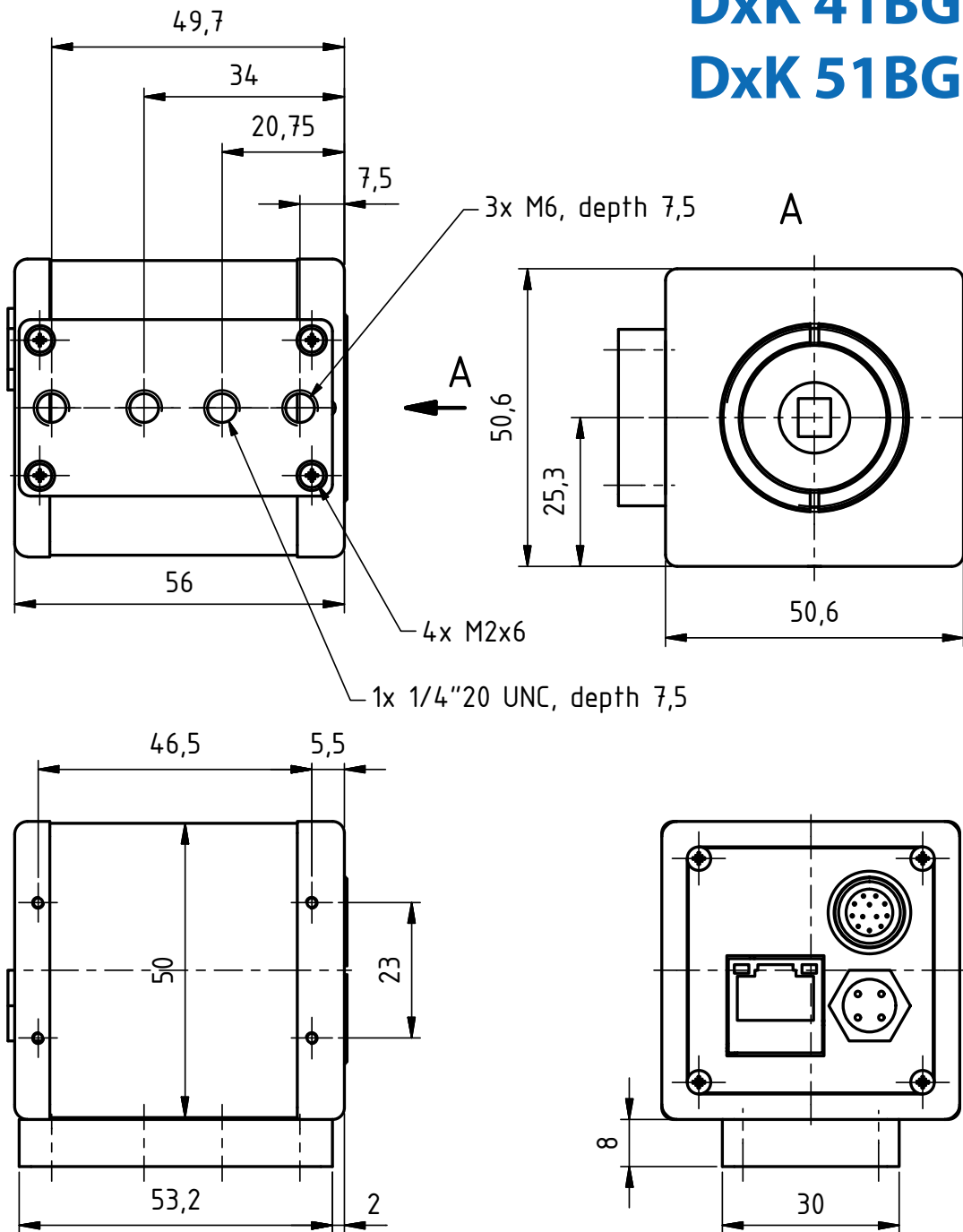


Dimensions: mm  
 Tolerances: DIN ISO 2768m





**DxK 21BG618.H**  
**DxK 21BG04.H**  
**DxK 31BG03.H**  
**DxK 41BG02.H**  
**DxK 51BG02.H**



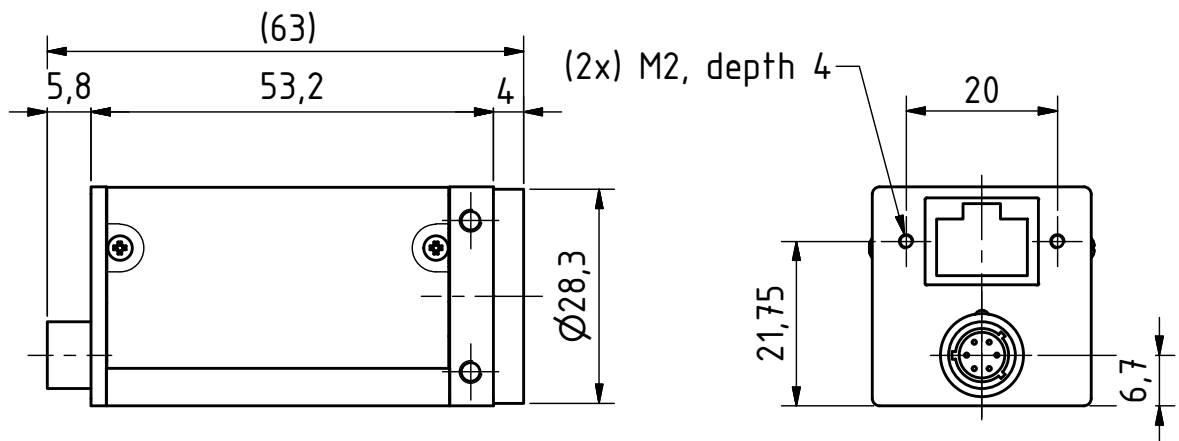
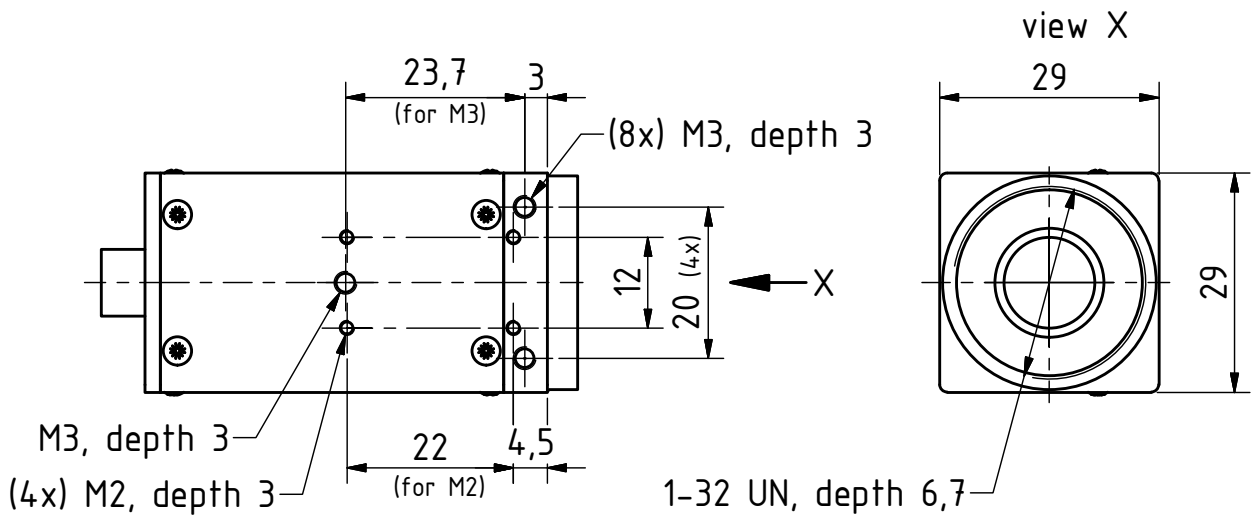
Dimensions: mm  
Tolerances: DIN ISO 2768m



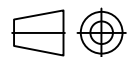


# DxK 23G618 DxK 23G445 DxK 23G274

(without tripod adapter)



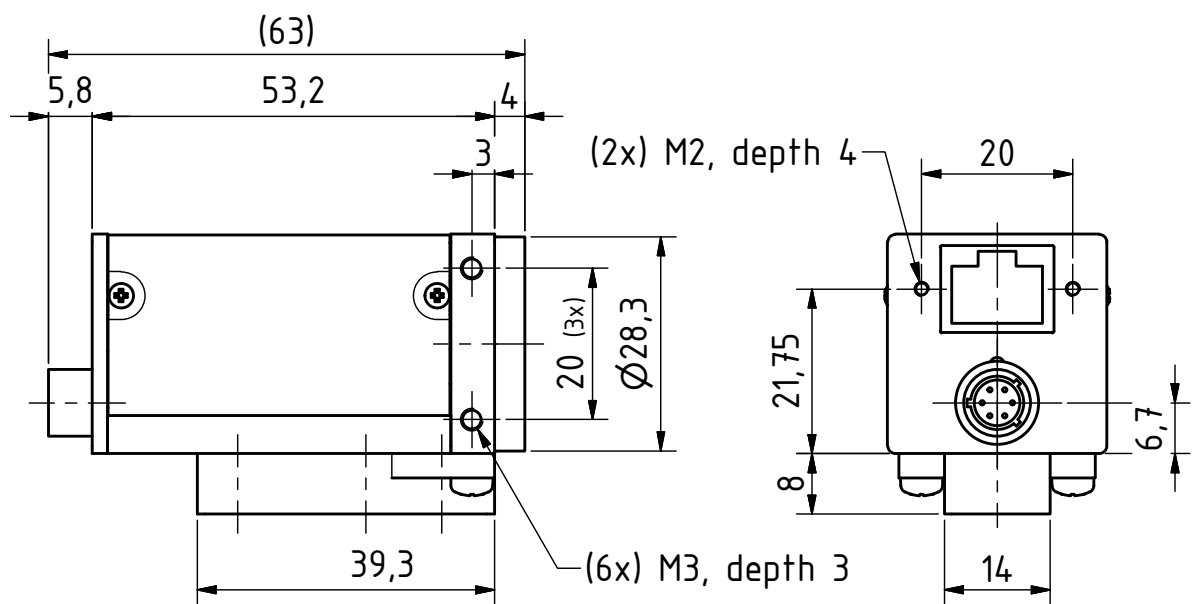
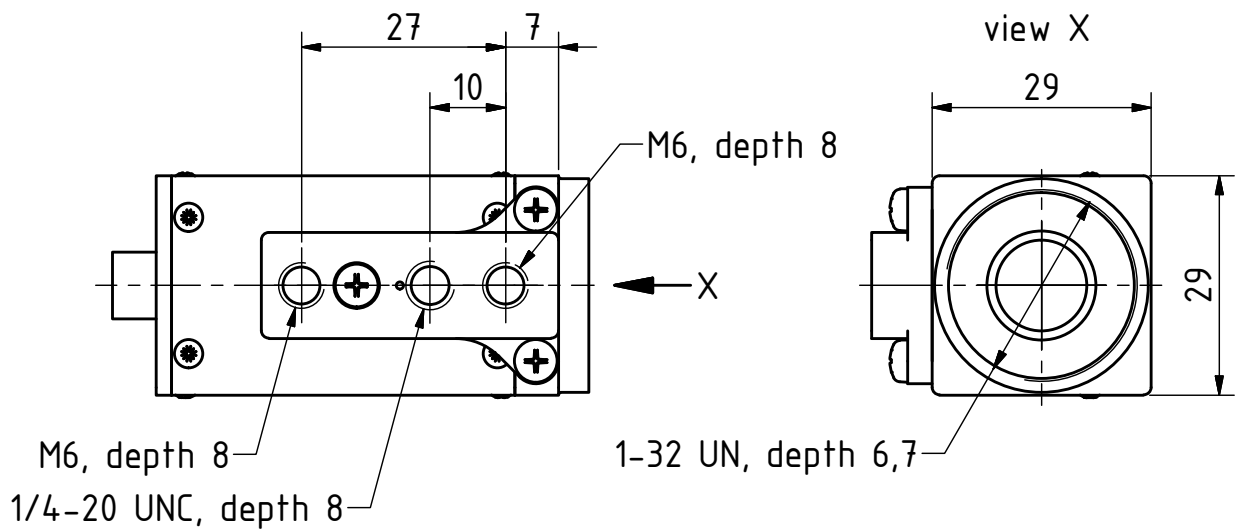
Dimensions: mm  
Tolerances: DIN ISO 2768m



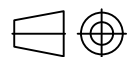


# DxK 23G618 DxK 23G445 DxK 23G274

(with tripod adapter)



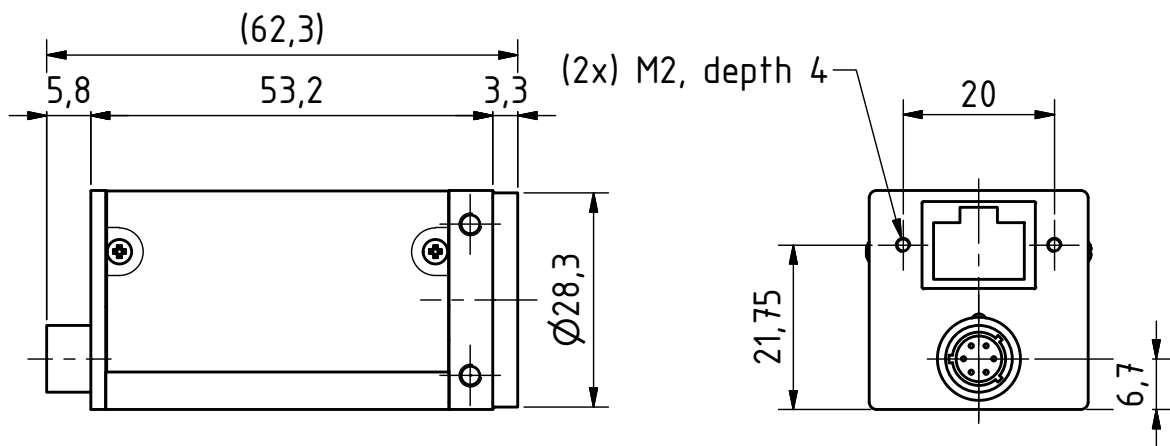
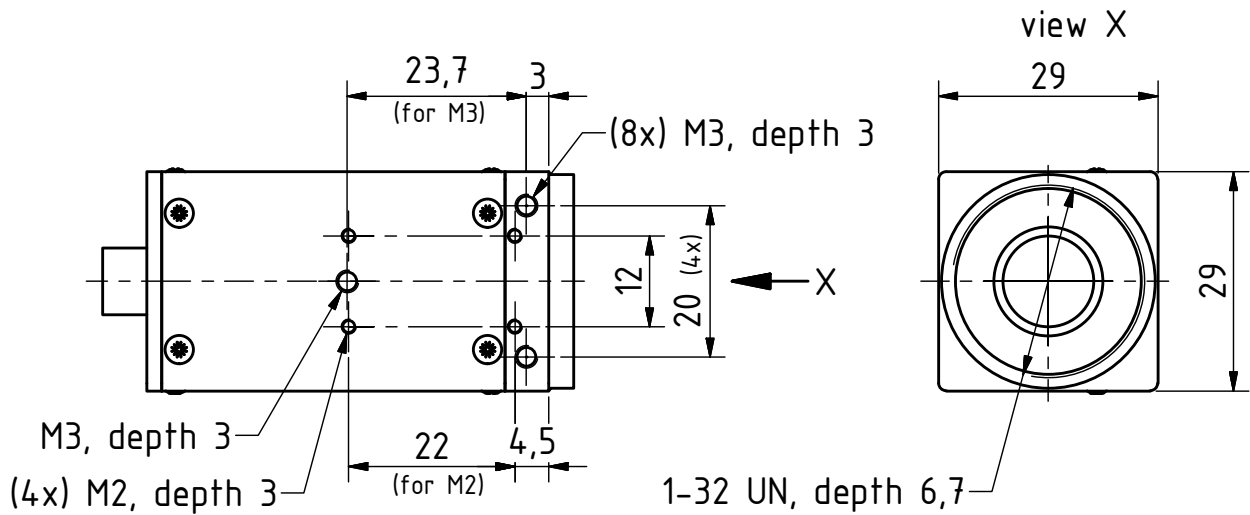
Dimensions: mm  
Tolerances: DIN ISO 2768m



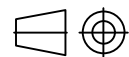


# DxK 23GV024 DxK 23GM021 DxK 23GP031

(without tripod adapter)



Dimensions: mm  
Tolerances: DIN ISO 2768m

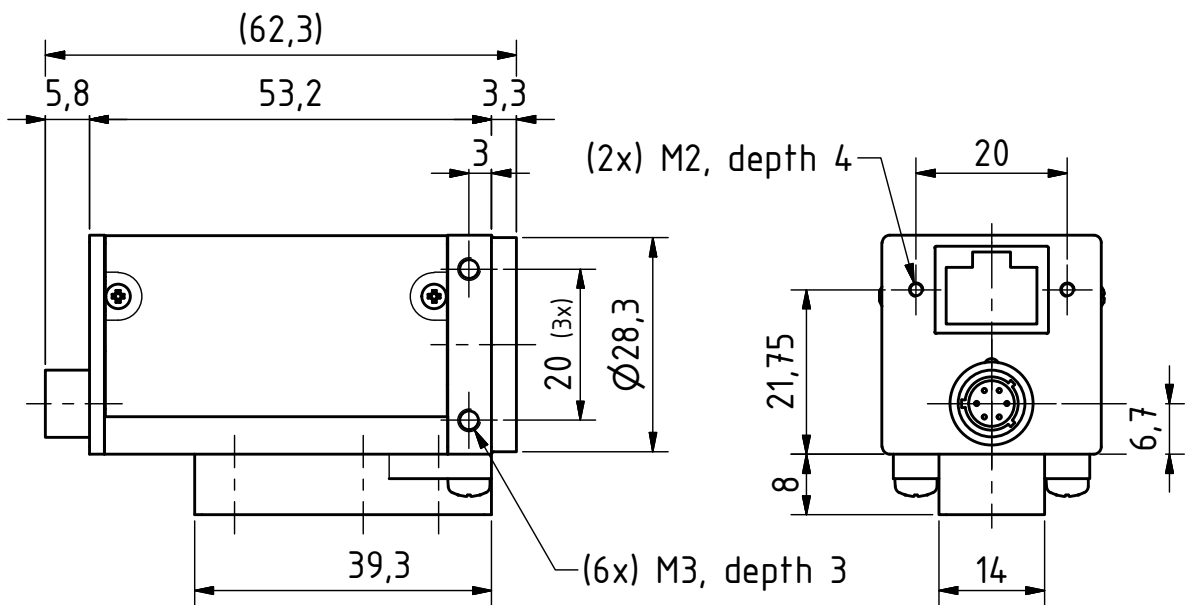
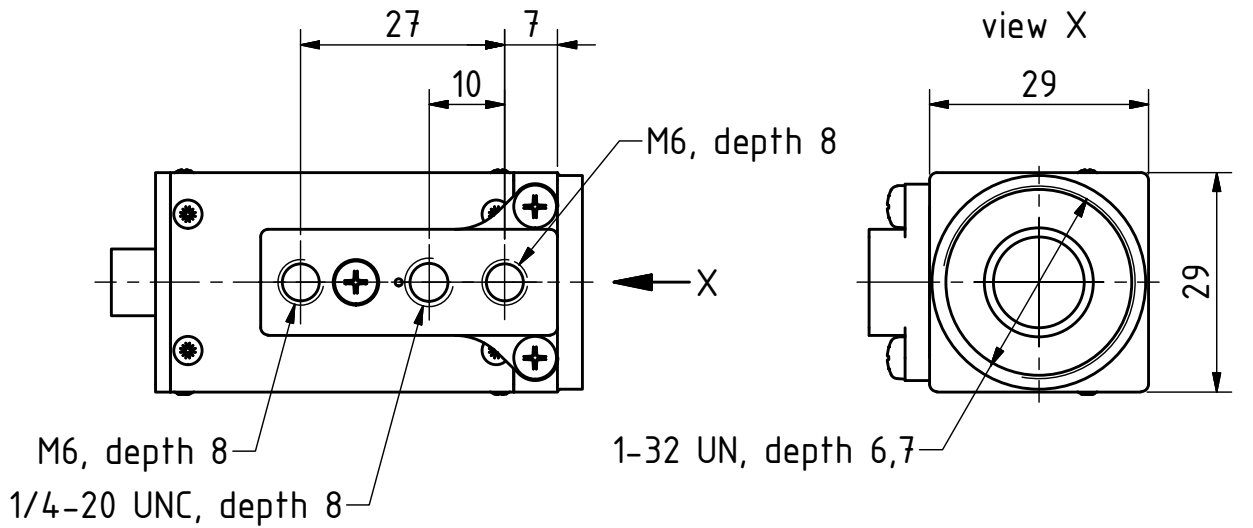




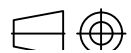


# DxK 23GV024 DxK 23GM021 DxK 23GP031

(with tripod adapter)



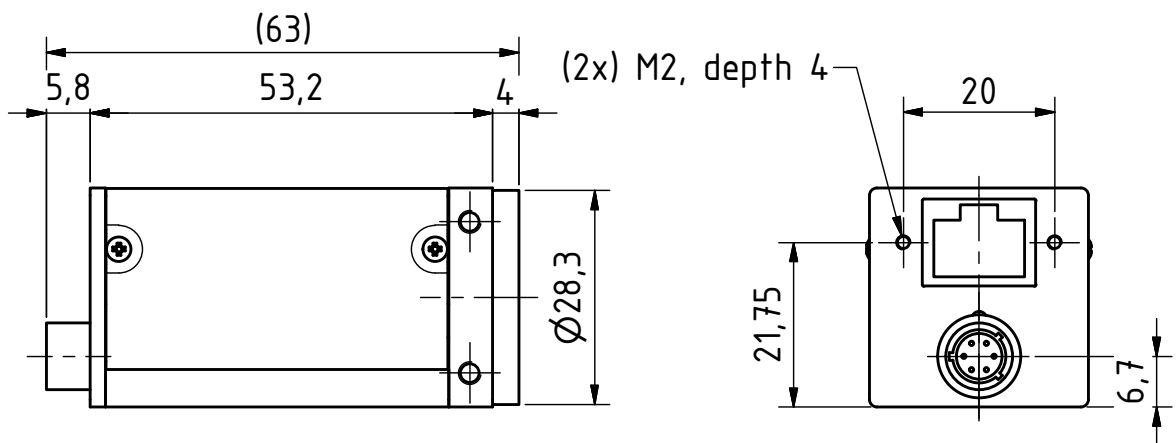
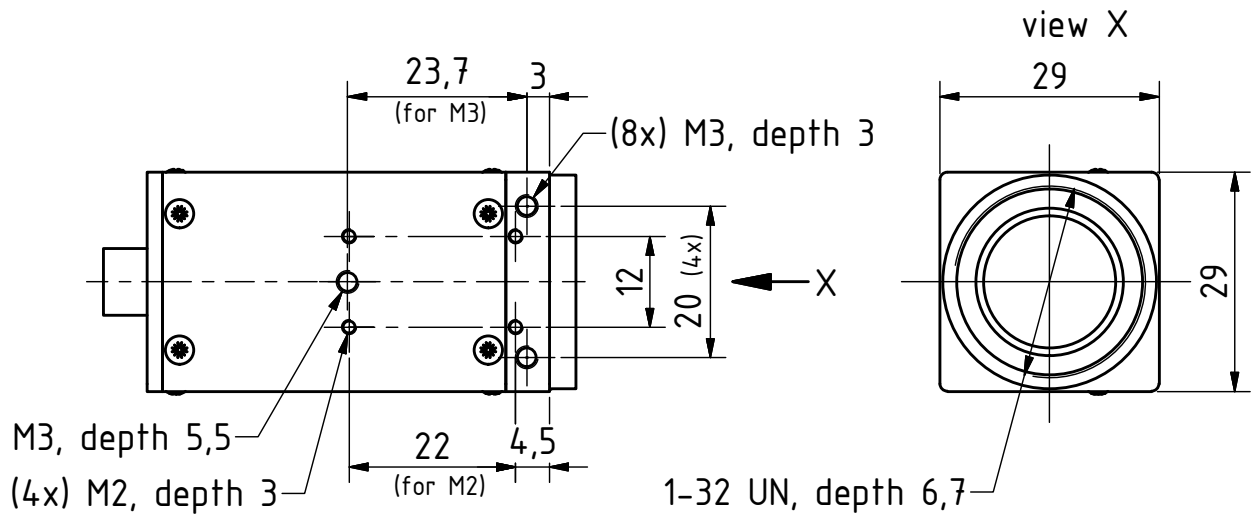
Dimensions: mm



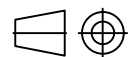


# DxK 23GX174

(without tripod adapter)



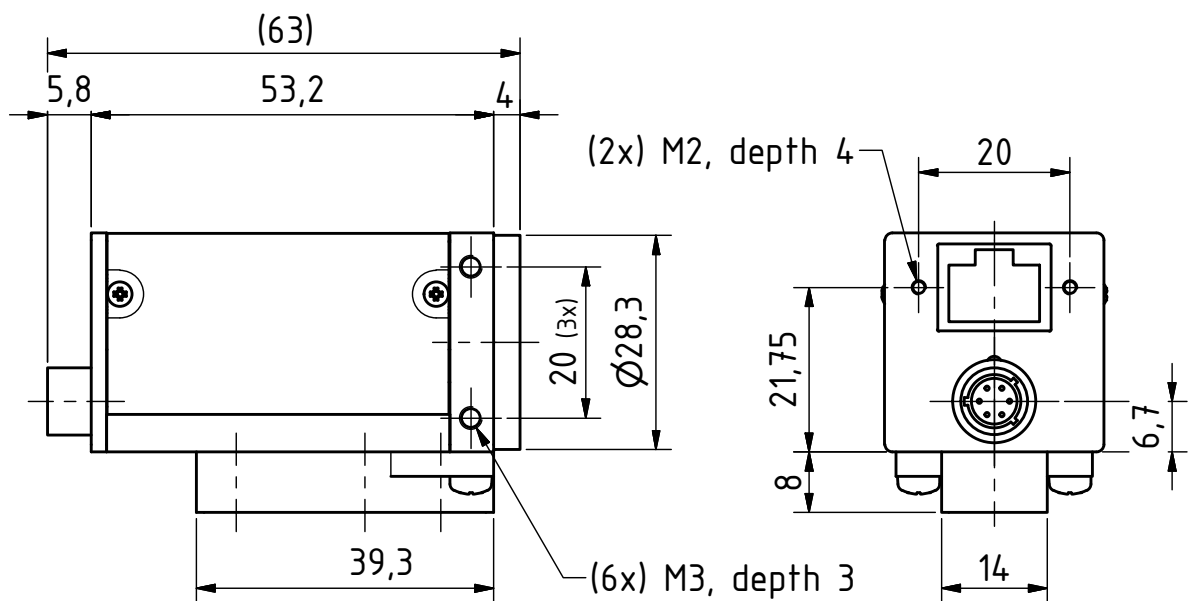
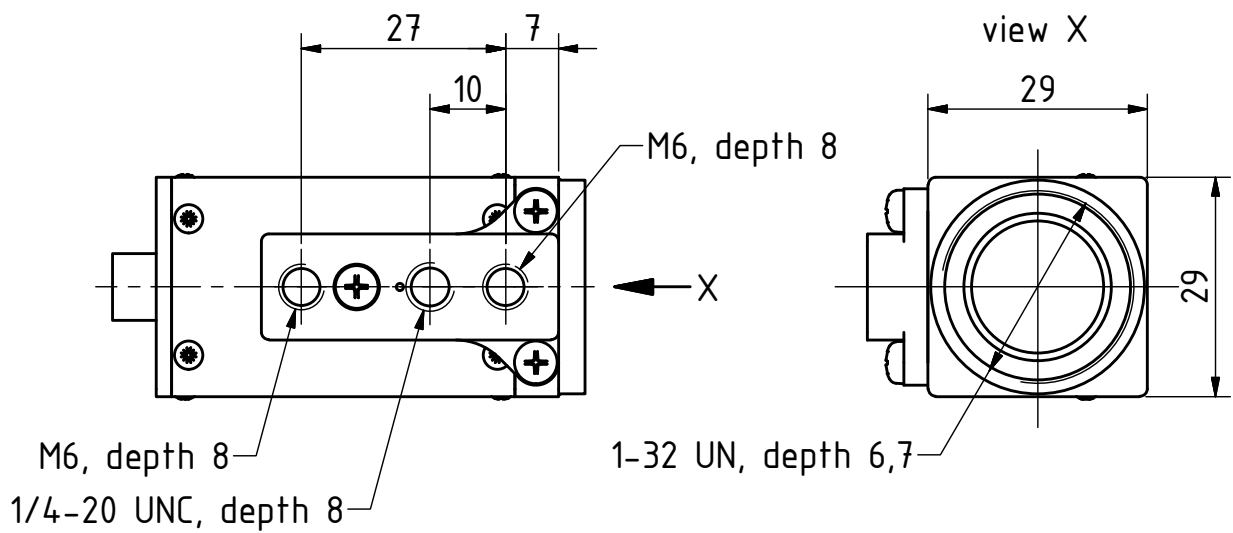
Dimensions: mm  
Tolerances: DIN ISO 2768m





# DxK 23GX174

(with tripod adapter)



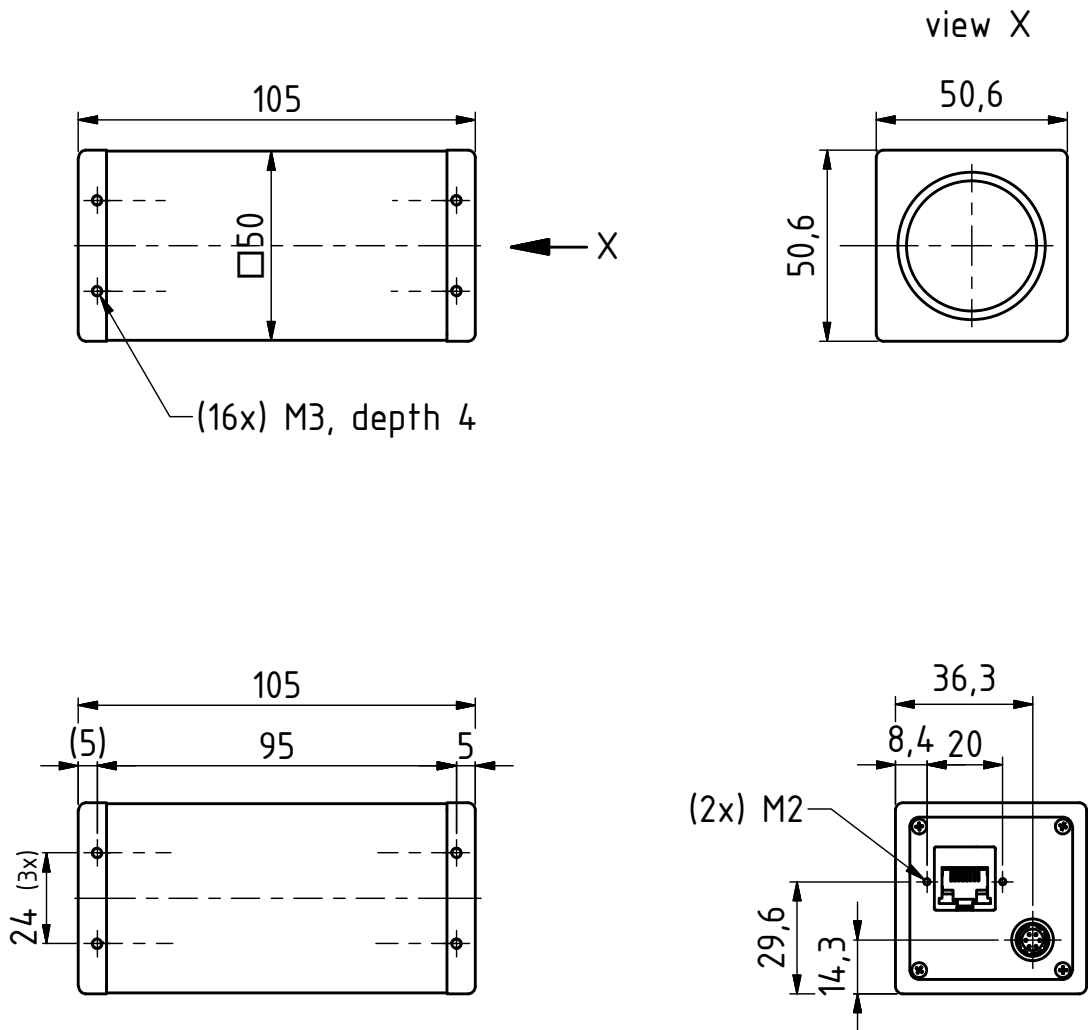
Dimensions: mm  
Tolerances: DIN ISO 2768m





# DxK Z12GP031

(without tripod adapter)



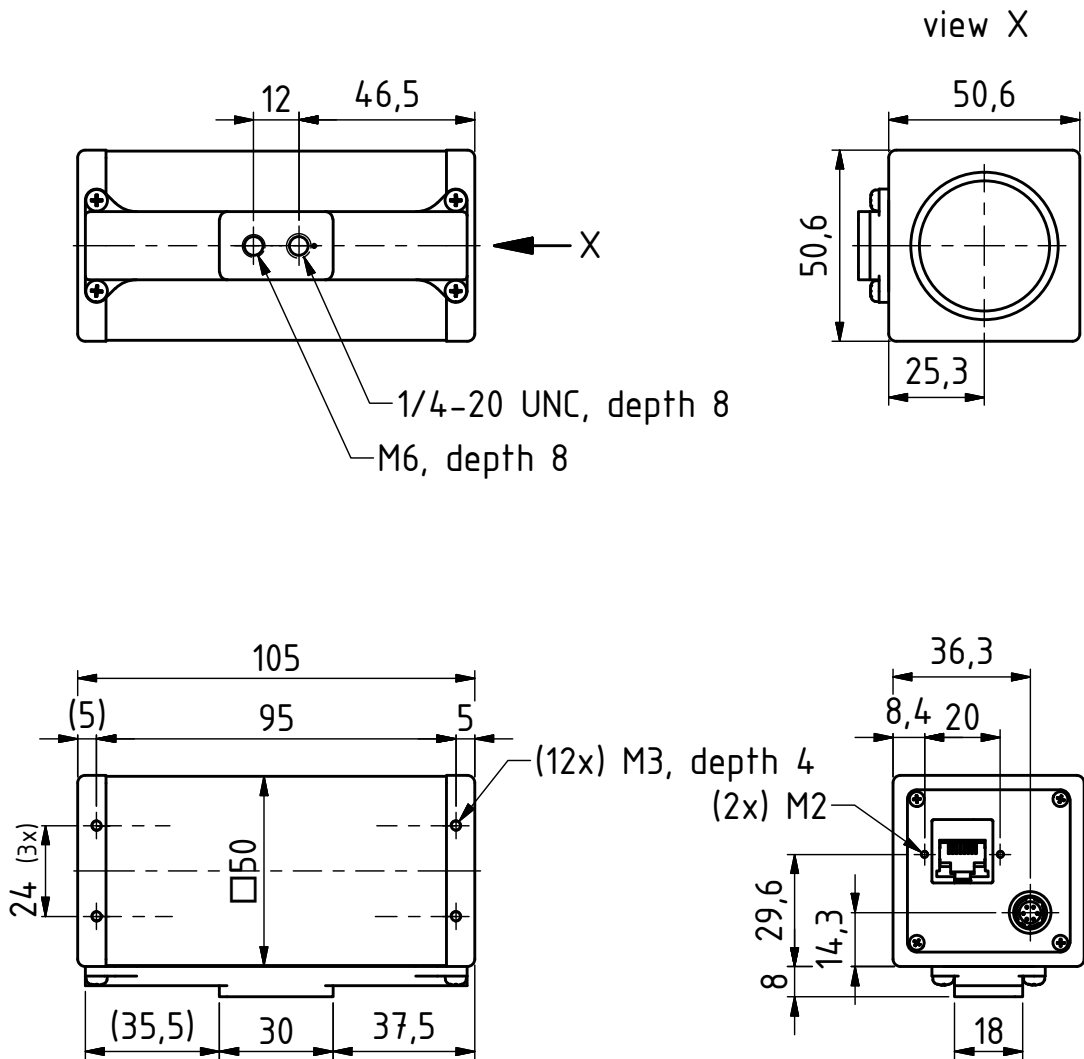
Scale: 1:2  
Dimensions: mm  
Tolerances: DIN ISO 2768m



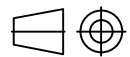


# DxK Z12GP031

(with tripod adapter)



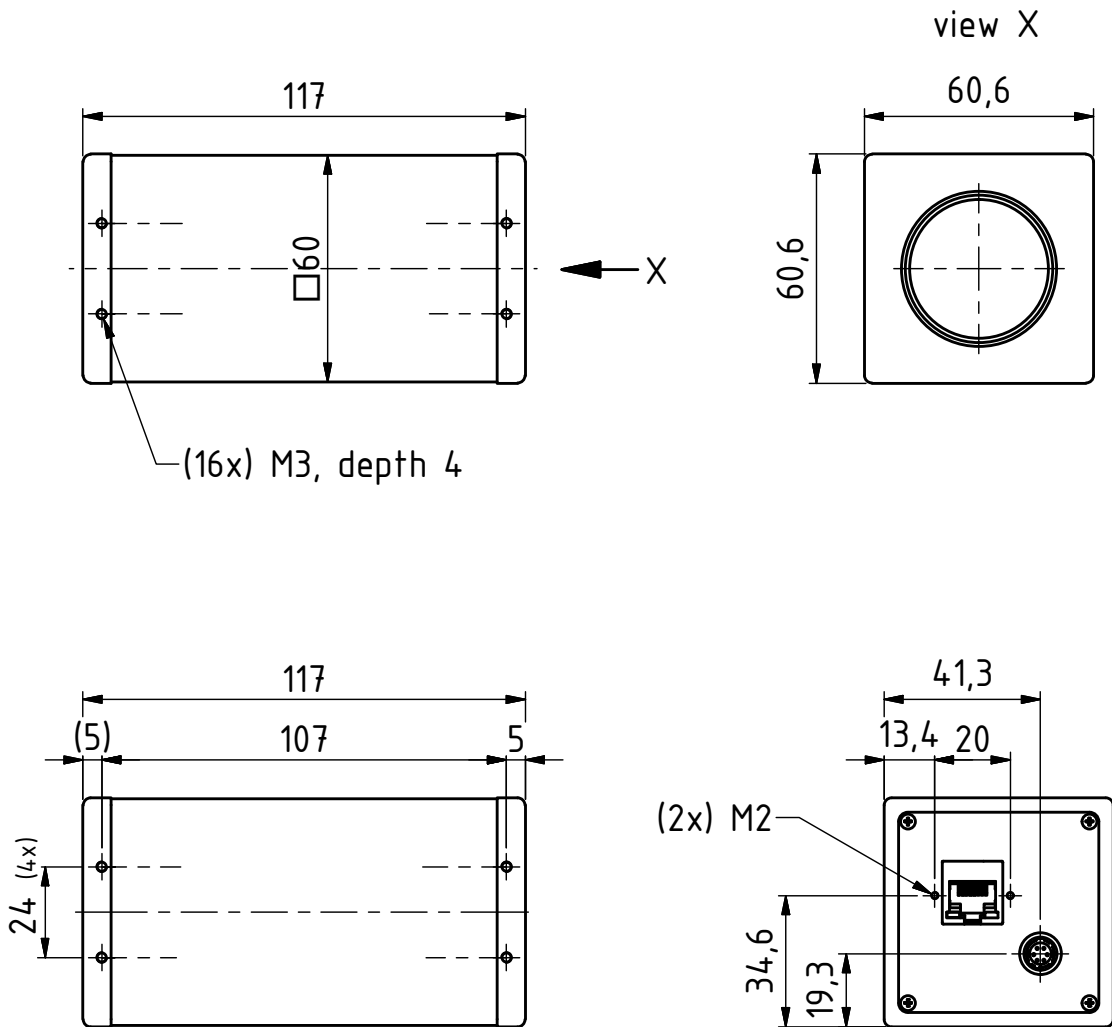
Scale: 1:2  
Dimensions: mm  
Tolerances: DIN ISO 2768m



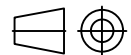


# DxK Z30GP031

(without tripod adapter)



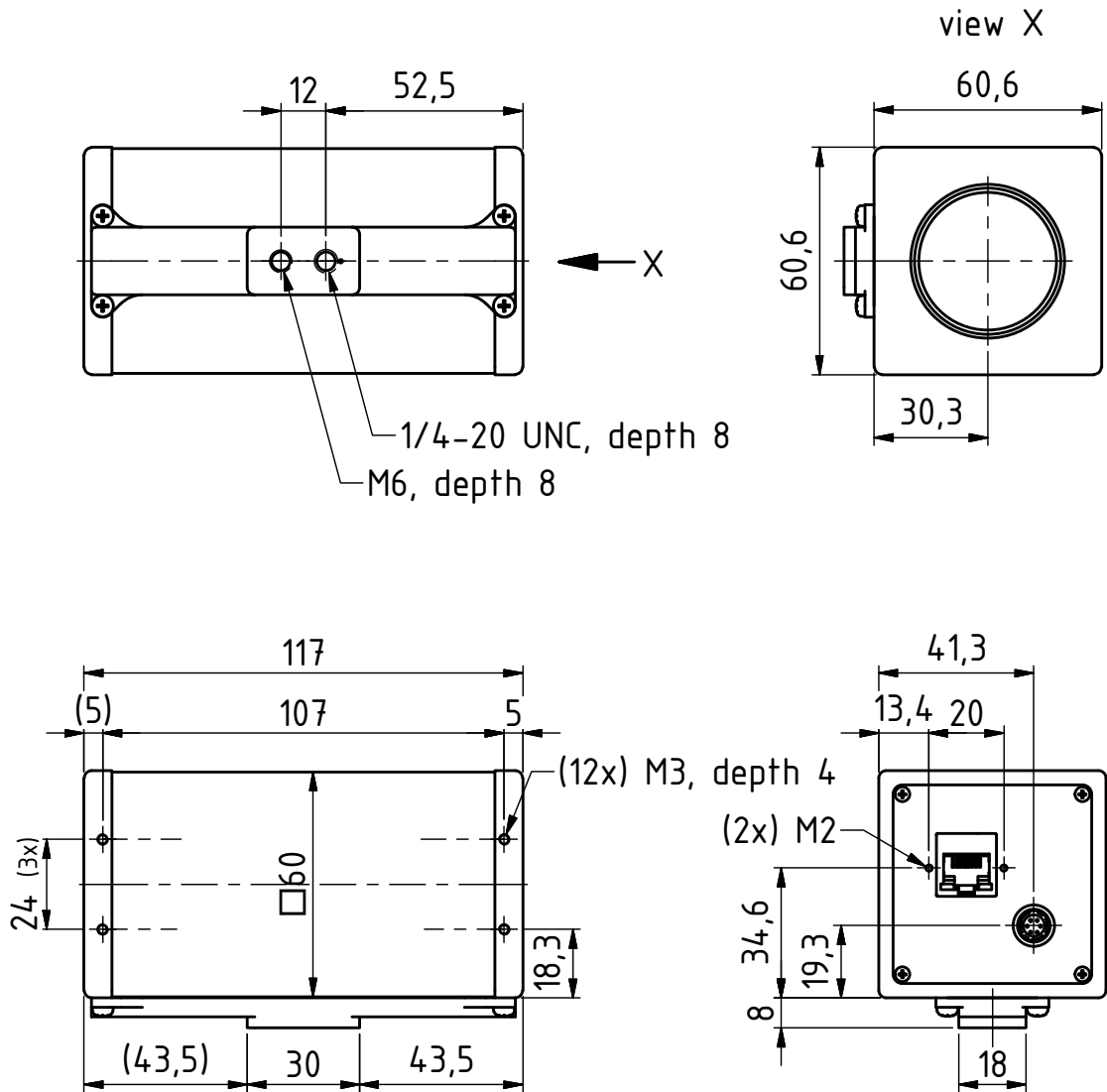
Scale: 1:2  
Dimensions: mm  
Tolerances: DIN ISO 2768m



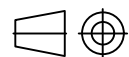


# DxK Z30GP031

(with tripod adapter)



Scale: 1:2  
 Dimensions: mm  
 Tolerances: DIN ISO 2768m





**Headquarters:** The Imaging Source Europe GmbH  
Sommerstrasse 36, D-28215 Bremen, Germany  
Phone: +49 421 33591-0

**North & South America:** The Imaging Source, LLC  
6926 Shannon Willow Rd, S 400, Charlotte, NC 28226, USA  
Phone: +1 704-370-0110

**Asia Pacific:** The Imaging Source Asia Co. Ltd.  
6F-1, No.230, Sec.3, Ba-De Road,,Song-Shan District 10555,  
Taipei City, Taiwan  
Phone: +886 2-2577-1228  
[www.theimagingsource.com](http://www.theimagingsource.com)

All product and company names in this document may be trademarks and tradenames of their respective owners and are hereby acknowledged.

The Imaging Source Europe GmbH cannot and does not take any responsibility or liability for any information contained in this document. The source code presented in this document is exclusively used for didactic purposes. The Imaging Source does not assume any kind of warranty expressed or implied, resulting from the use of the content of this document or the source code.

The Imaging Source Company reserves the right to make changes in specifications, function or design at any time and without prior notice.

Last update: September 2015

Copyright © 2015 The Imaging Source Europe GmbH, [ddcamhouse.en\\_US.pdf](http://ddcamhouse.en_US.pdf)

All rights reserved. Reprint, also in parts, only allowed with permission of The Imaging Source Europe GmbH.

All weights and dimensions are approximate. Unless otherwise specified the lenses shown in the context of cameras are not shipped with these cameras.