



White Paper

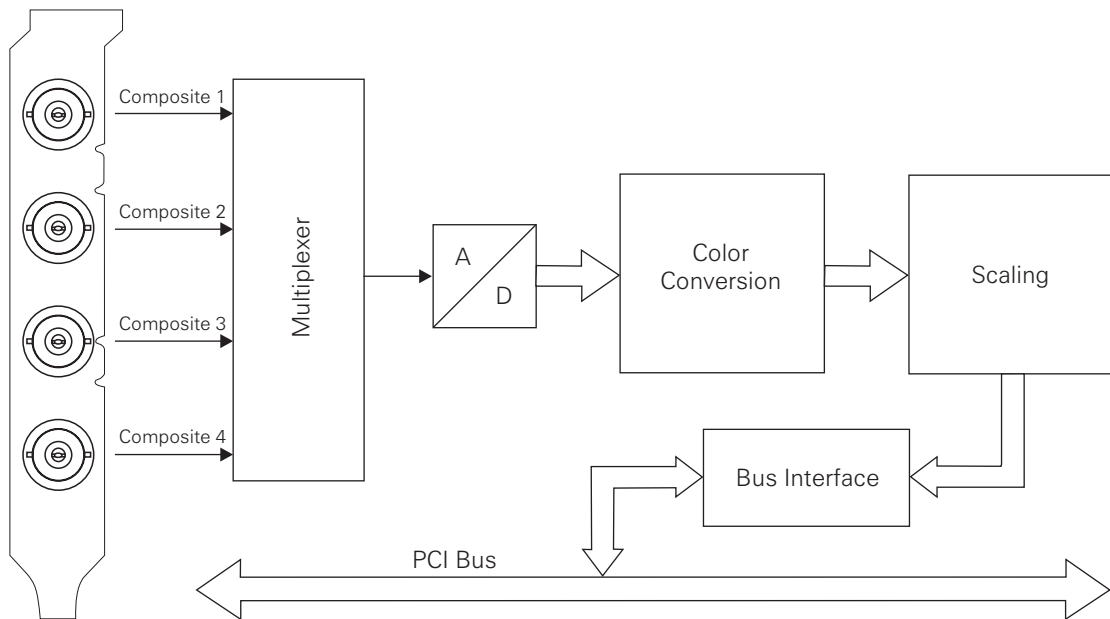
Converter and Frame Grabber - Schematic Diagrams

Content

DFG/LC4.....	3
DFG/MC4.....	4
DFG/SV1 & DFG/SV1/LP	5
DFG/SV1/PCIe & DFG/SV1/LP/PCIe	6
DFG/USB2pro.....	7

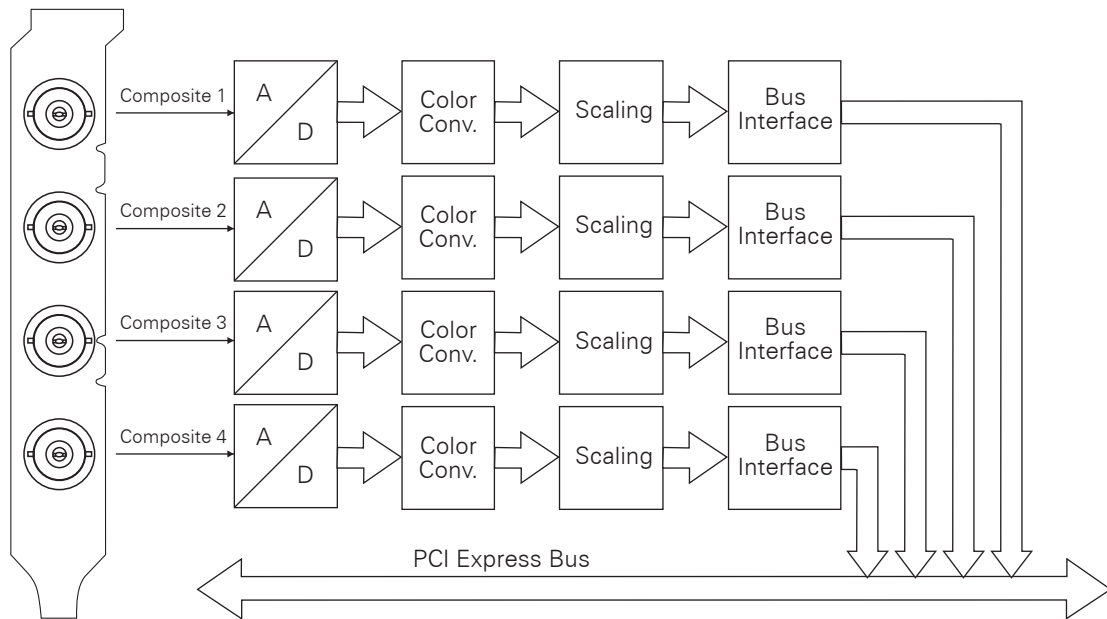


DFG/LC4 Schematic diagram





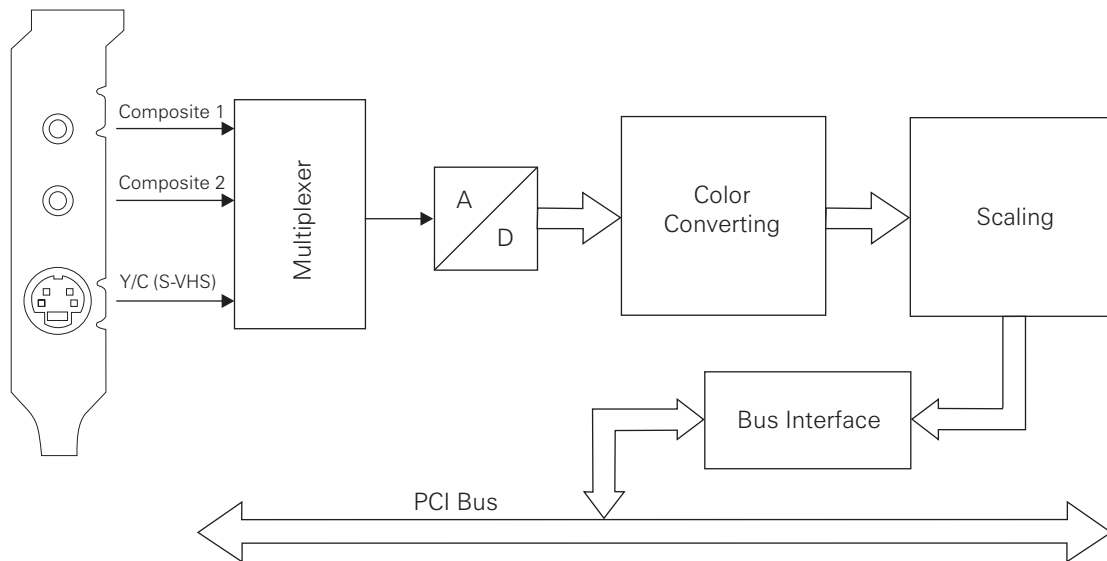
DFG/MC4 /PCIe Schematic diagram





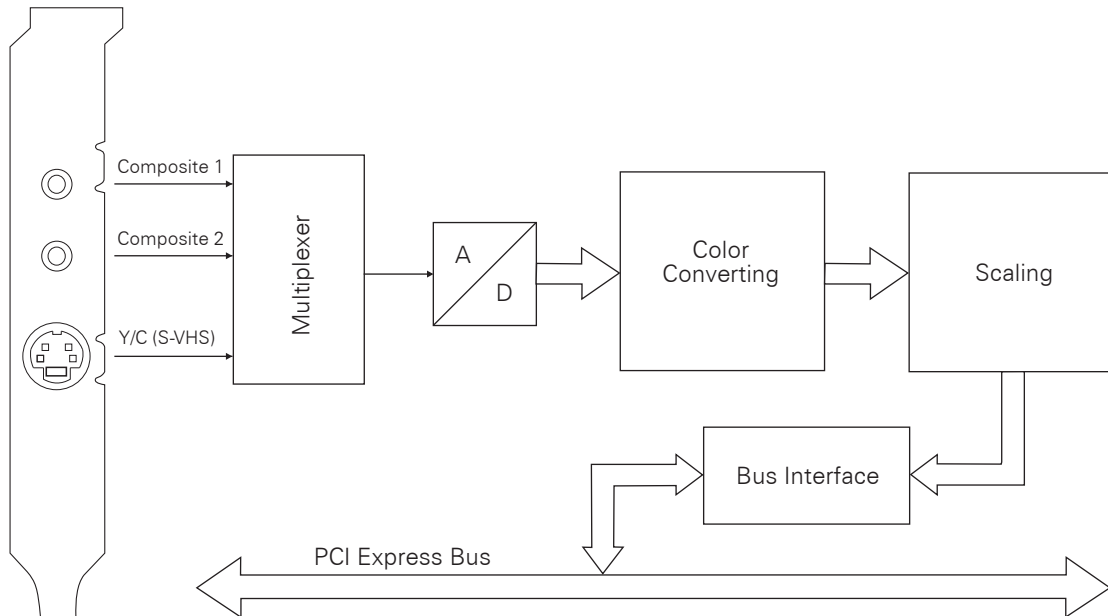
DFG/SV1 & DFG/SV1/LP

Schematic diagram





DFG/SV1/PCle & DFG/SV1/LP/PCle Schematic diagram





DFG/USB2pro Schematic diagram

