



Technical Details

Dimensional Diagrams

27, 33, 33e, 37, 38 series



USB 3.1

37 SERIES

DxK 37AUX178 (without tripod adapter).....	6
DxK 37AUX178 (with tripod adapter)	7
DxK 37BUX178 (without tripod adapter).....	8
DxK 37BUX178 (with tripod adapter).....	9

38 SERIES

DxK 38UX253, DxK 38UX255, DxK38UX267, DxK38UX304 (C-mount without tripod adapter)	10
DxK 38UX253, DxK 38UX255, DxK38UX267, DxK38UX304 (C-mount with tripod adapter)	11
DxK 38UX253, DxK 38UX255, DxK38UX267, DxK38UX304 (CS-mount without tripod adapter)	12
DxK 38UX253, DxK 38UX255, DxK38UX267, DxK38UX304 (CS-mount with tripod adapter)	13



USB 3.0

27 SERIES

DxK 27AUR135, DxK 27AUP006, DxK 27AUJ003 (without tripod adapter)	14
DxK 27AUR135, DxK 27AUP006, DxK 27AUJ003 (with tripod adapter)	15
DxK 27BUR135, DxK 27BUP006, DxK 27BUJ003 (without tripod adapter)	16
DxK 27BUR135, DxK 27BUP006, DxK 27BUJ003 (with tripod adapter)	17

33 SERIES

DxK 33UP1300, DxK 33UX174, DxK 33UX249, DxK 33UX290, DxK 33UP2000, DxK 33UX252, DxK 33UX265, DxK 33UX250, DxK 33UP5000, DxK 33UX178, DxK 33UX264, DxK 33 UJ003 (without tripod adapter)	18
DxK 33UP1300, DxK 33UX174, DxK 33UX249, DxK 33UX290, DxK 33UP2000, DxK 33UX252, DxK 33UX265, DxK 33UX250, DxK 33UP5000, DxK 33UX178, DxK 33UX264, DxK 33 UJ003 (with tripod adapter)	19



GigE

33e SERIES

DxK 33GX290e, DxK 33GX174e, DxK 33GX249e (C-mount without tripod adapter).....	20
DxK 33GX290e, DxK 33GX174e, DxK 33GX249e (CS-mount without tripod adapter)	21
DxK 33GX290e, DxK 33GX174e, DxK 33GX249e (C-mount with tripod adapter).....	22
DxK 33GX290e, DxK 33GX174e, DxK 33GX249e (CS-mount with tripod adapter)	23
DxK 33GX265e, DxK 33GX264e, DxK 33GX178e, DxK 33GJ003e (C-mount without tripod adapter)	24
DxK 33GX265e, DxK 33GX264e, DxK 33GX178e, DxK 33GJ003e (CS-mount without tripod adapter)	25
DxK 33GX265e, DxK 33GX264e, DxK 33GX178e, DxK 33GJ003e (C-mount with tripod adapter).....	26
DxK 33GX265e, DxK 33GX264e, DxK 33GX178e, DxK 33GJ003e (CS-mount with tripod adapter)	27



GigE

33e SERIES

33e SERIES - PYTHON SENSORS

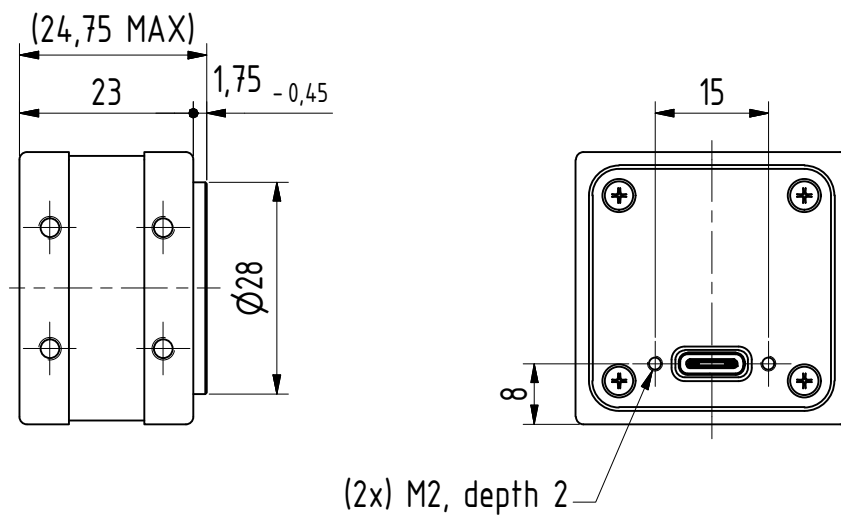
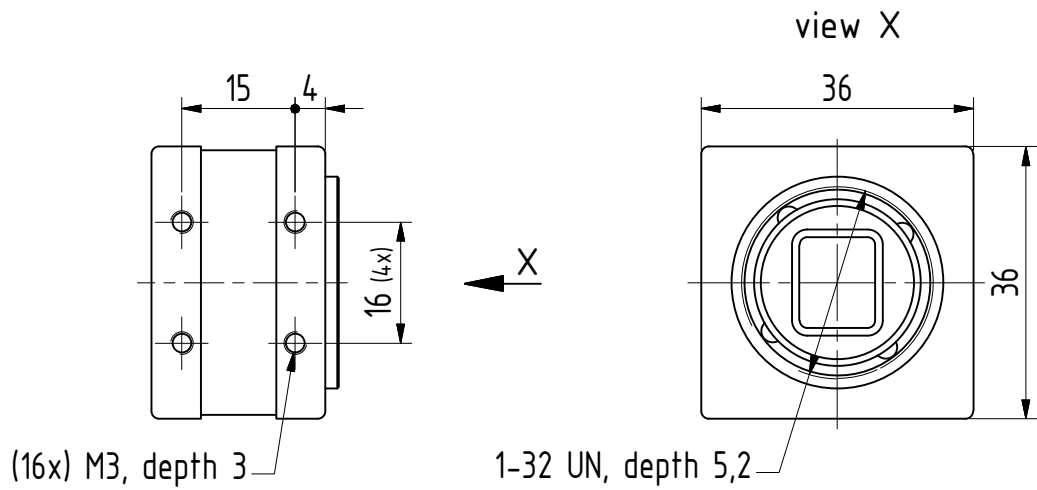
DxK 33GP1300e (C-mount without tripod adapter).....	28
DxK 33GP1300e (CS-mount without tripod adapter)	29
DxK 33GP1300e (C-mount with tripod adapter).....	30
DxK 33GP1300e (CS-mount with tripod adapter)	31
DMK 33GP2000e, DMK 33GP5000 (C-mount without tripod adapter).....	32
DMK 33GP2000e, DMK 33GP5000 (CS-mount without tripod adapter)	33
DMK 33GP2000e, DMK 33GP5000 (C-mount with tripod adapter).....	34
DMK 33GP2000e, DMK 33GP5000 (CS-mount with tripod adapter)	35
DFK 33GP2000e, DFK 33GP5000 (C-mount without tripod adapter).....	36
DFK 33GP2000e, DFK 33GP5000 (CS-mount without tripod adapter)	37
DFK 33GP2000e, DFK 33GP5000 (C-mount with tripod adapter).....	38
DFK 33GP2000e, DFK 33GP5000 (CS-mount with tripod adapter)	39



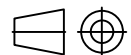
37 Series

(DxK 37AUX178)

(without tripod adapter)



Dimensions: mm
Tolerances: DIN ISO 2768-f

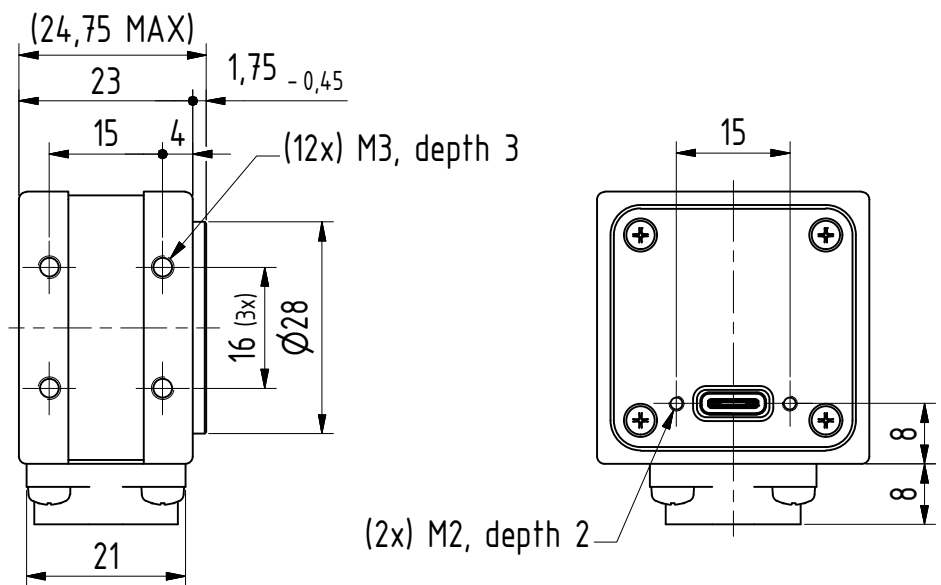
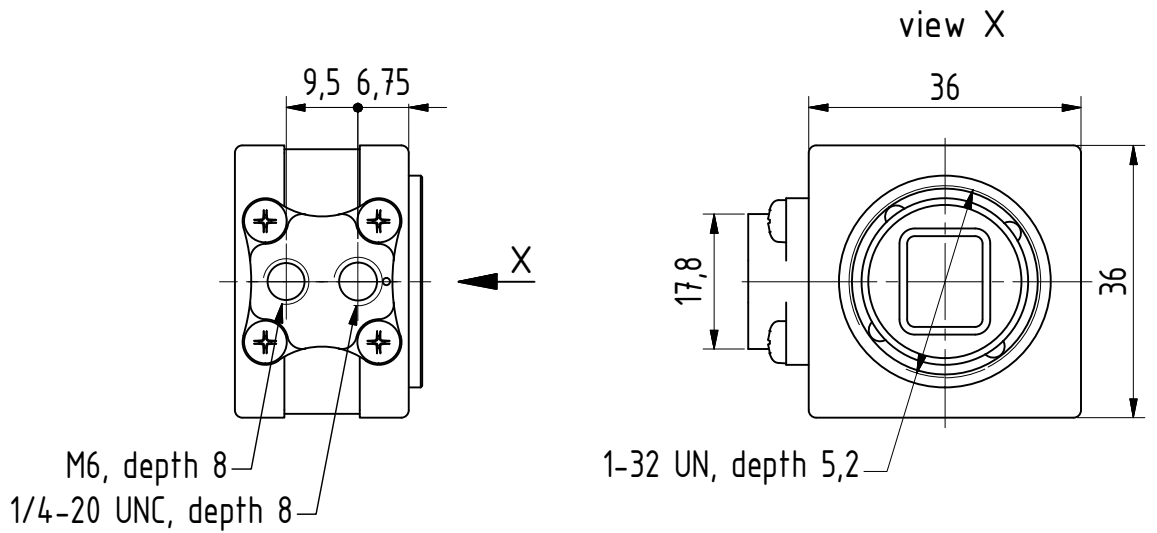




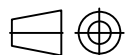
37 Series

(DxK 37AUX178)

(with tripod adapter)



Dimensions: mm
Tolerances: DIN ISO 2768-f

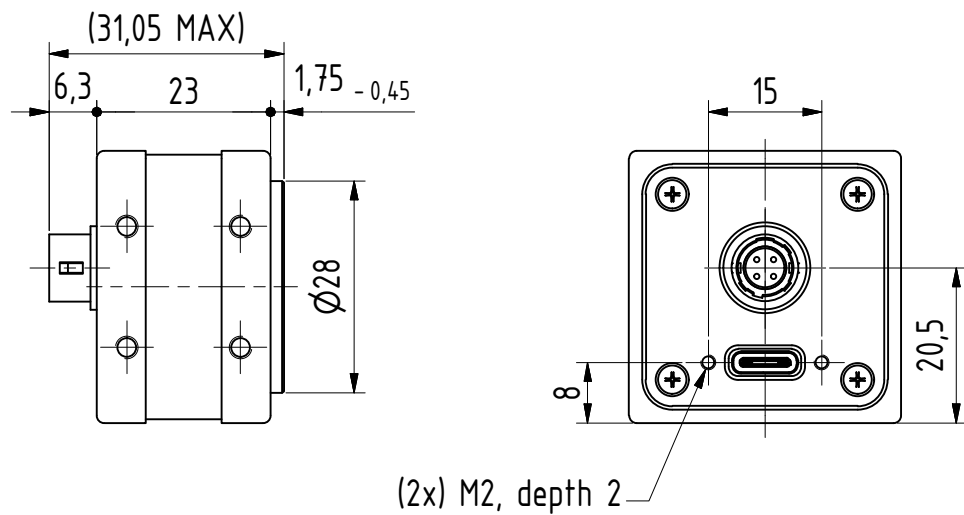
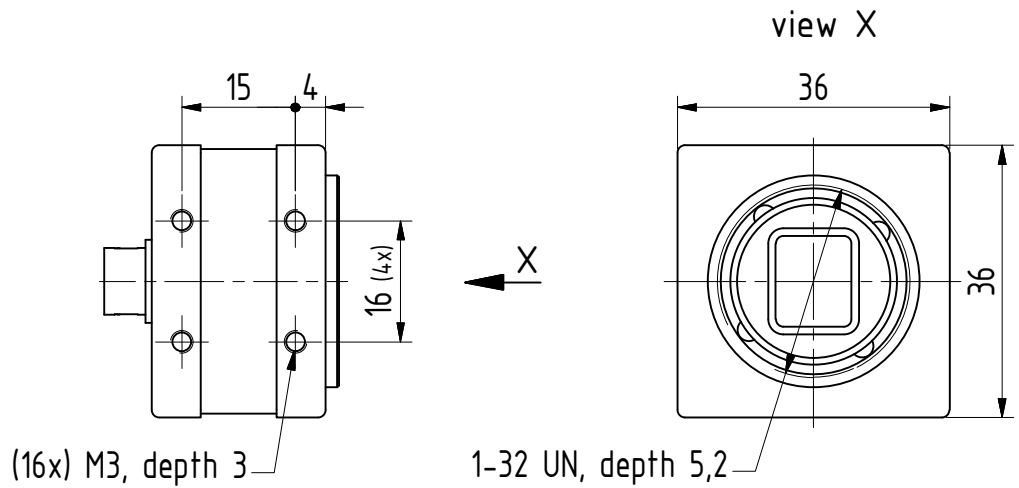




37 Series

(DxK 37BUX178)

(without tripod adapter)



Dimensions: mm
Tolerances: DIN ISO 2768-f

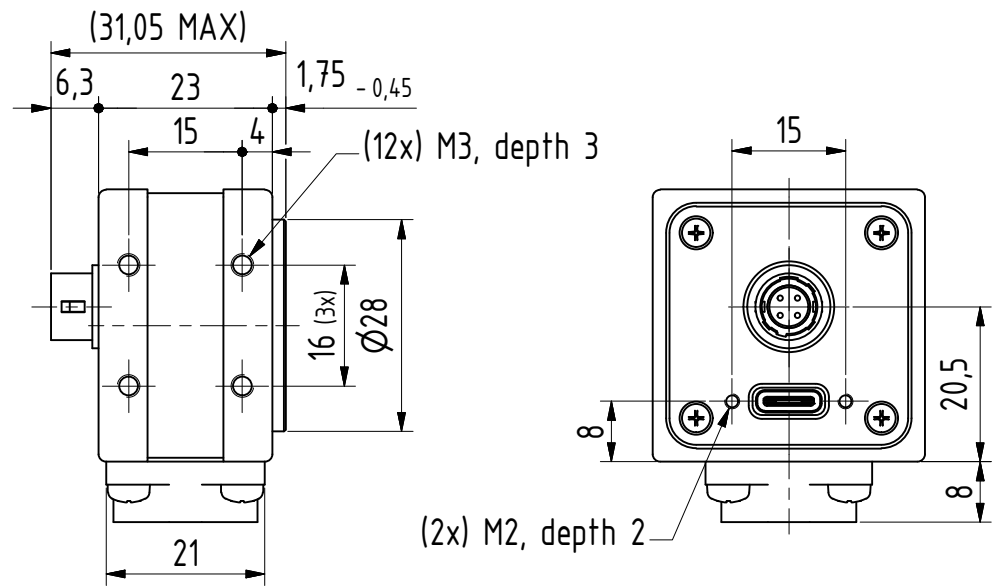
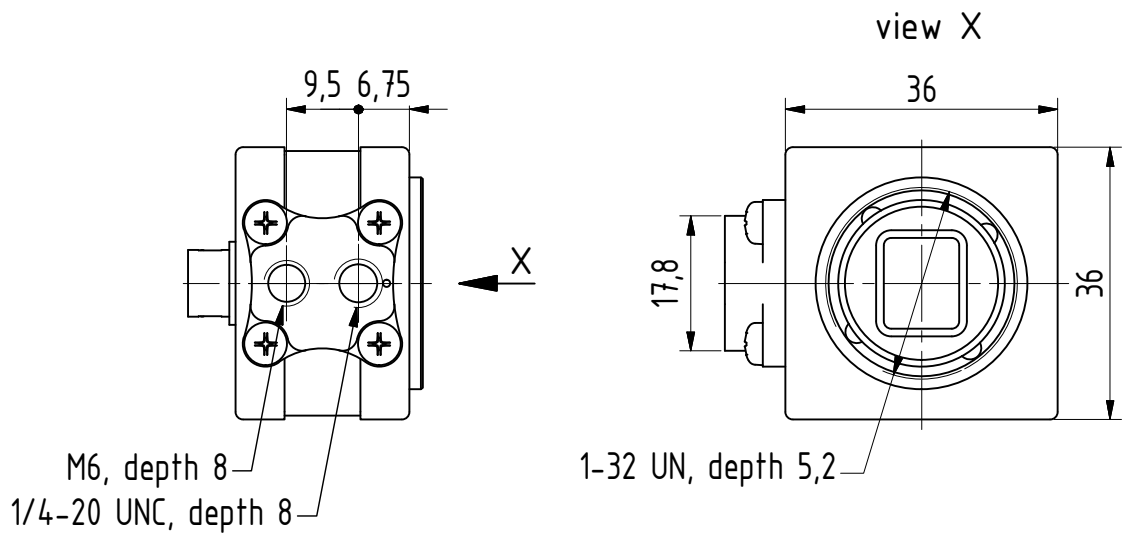




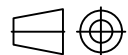
37 Series

(DxK 37BUX178)

(with tripod adapter)



Dimensions: mm
Tolerances: DIN ISO 2768-f

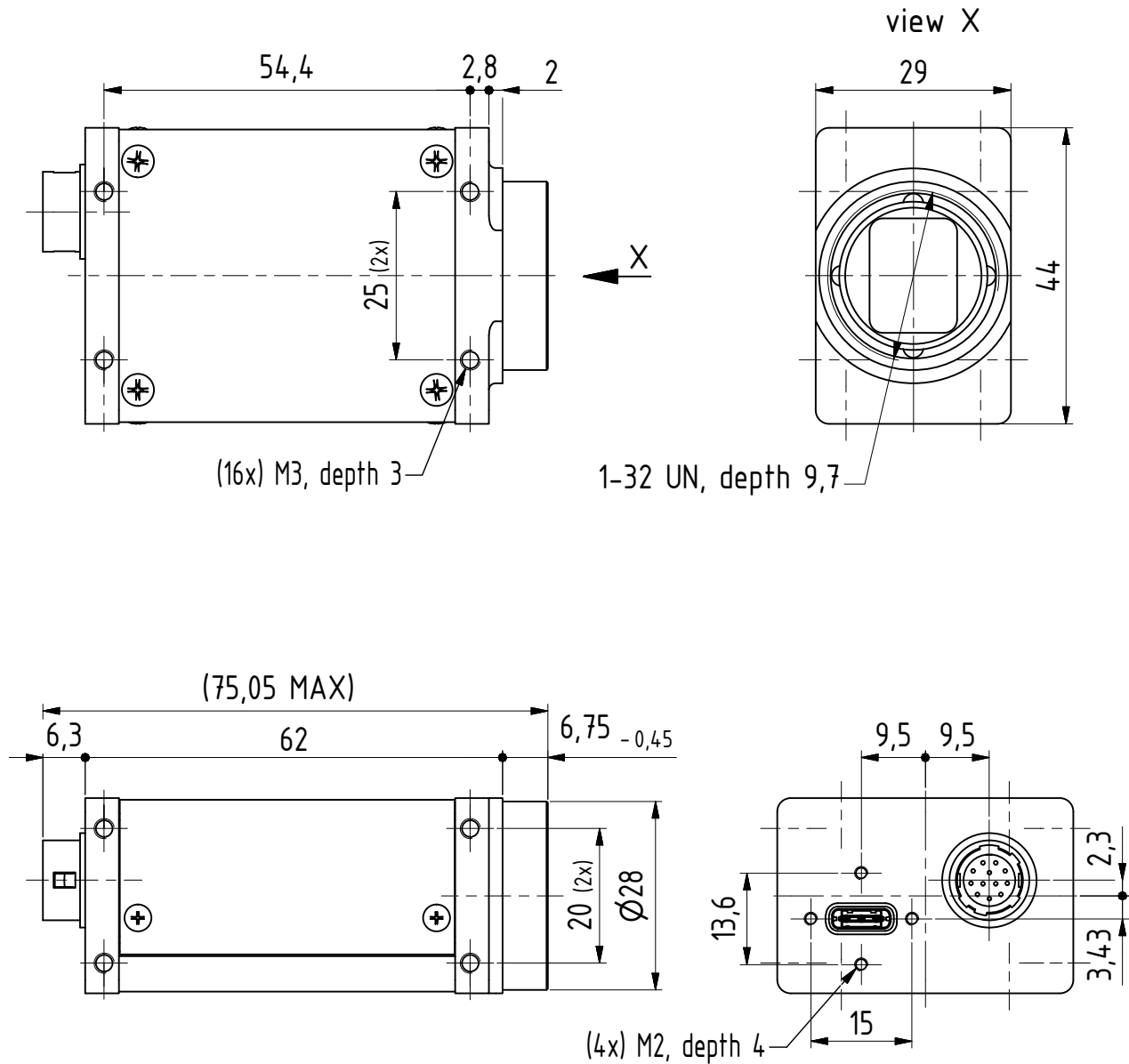




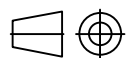
38 Series

(DxK 38UX253, DxK 38UX255
DxK38UX267, DxK38UX304)

(C-mount without tripod adapter)



Dimensions: mm
Tolerances: DIN ISO 2768-f

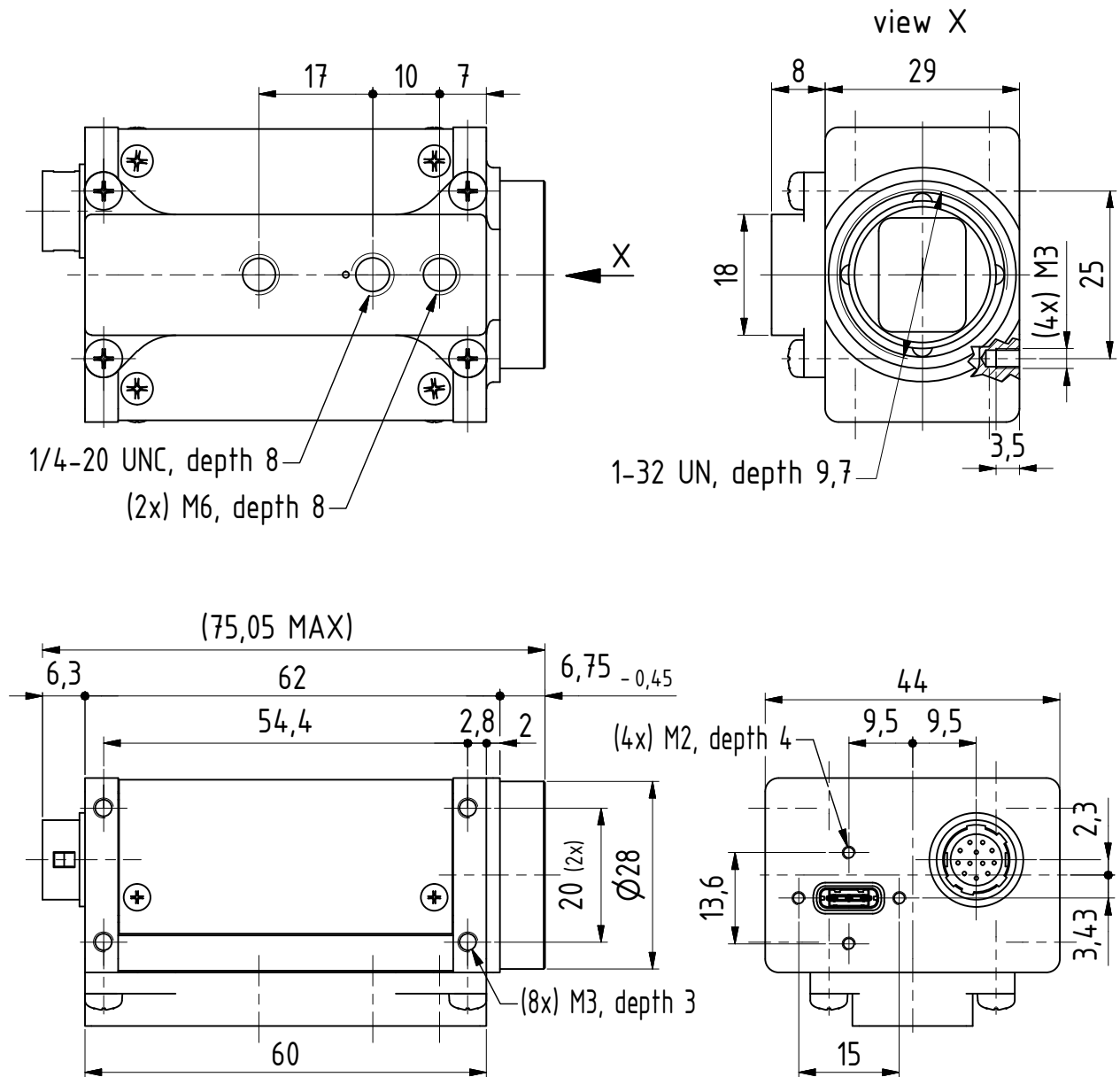




38 Series

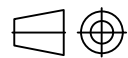
(DxK 38UX253, DxK 38UX255
DxK38UX267, DxK38UX304)

(C-mount with tripod adapter)



Dimensions: mm

Tolerances: DIN ISO 2768-f

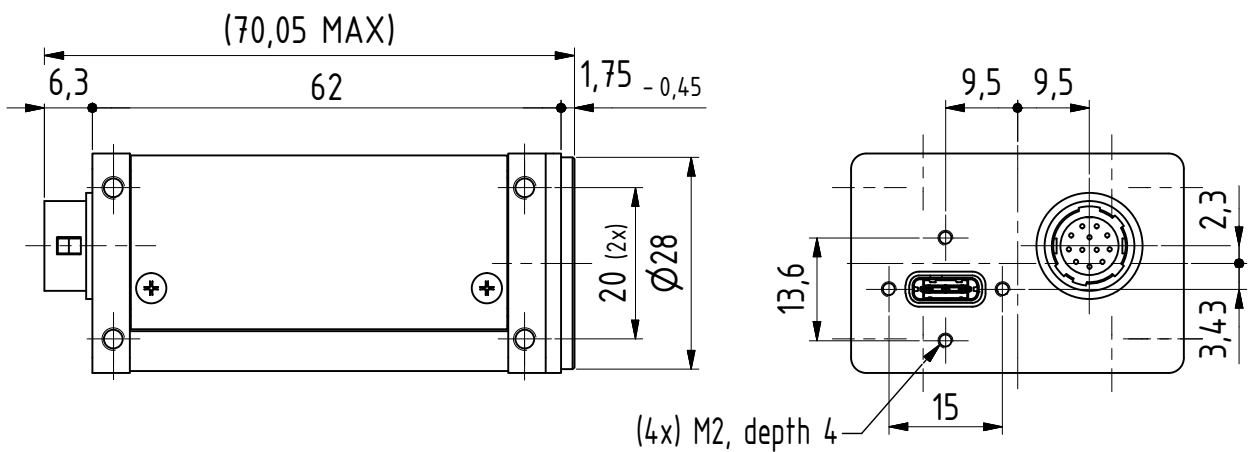
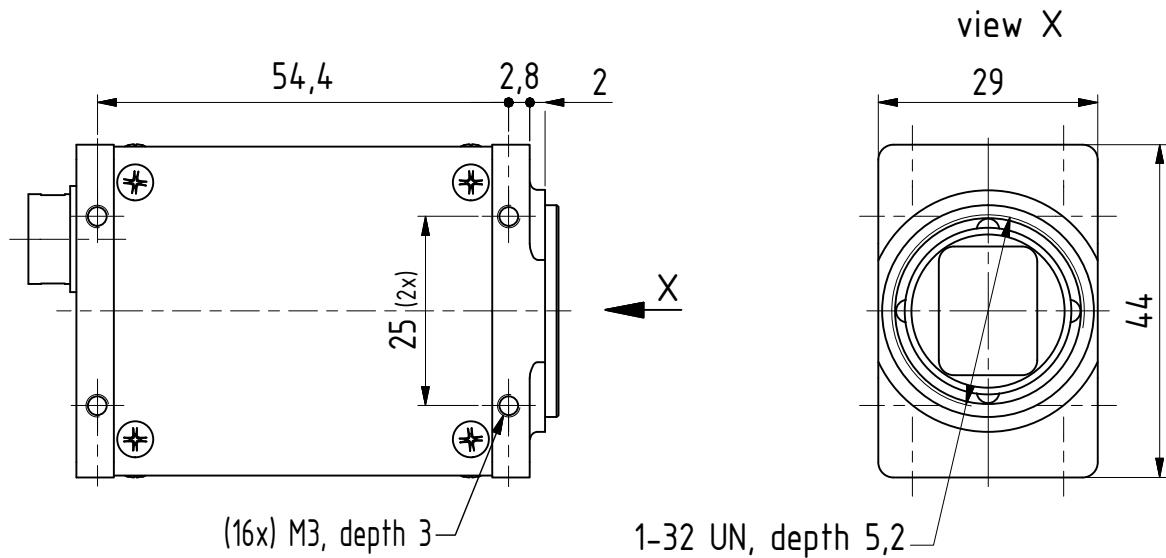




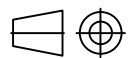
38 Series

(DxK 38UX253, DxK 38UX255
DxK38UX267, DxK38UX304)

(CS-mount without tripod adapter)



Dimensions: mm
Tolerances: DIN ISO 2768-f

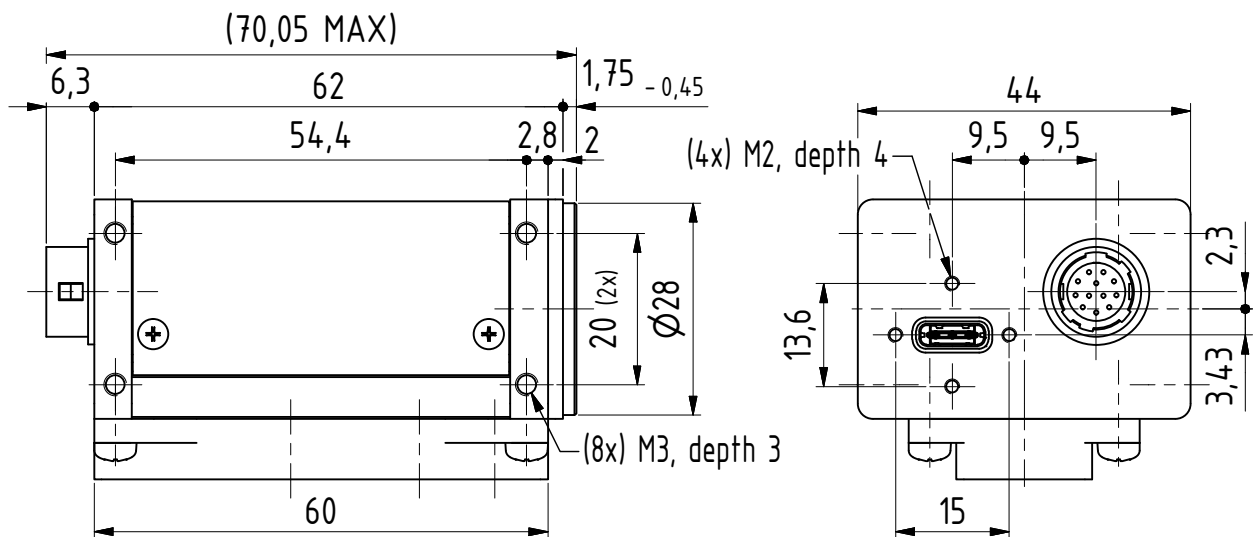
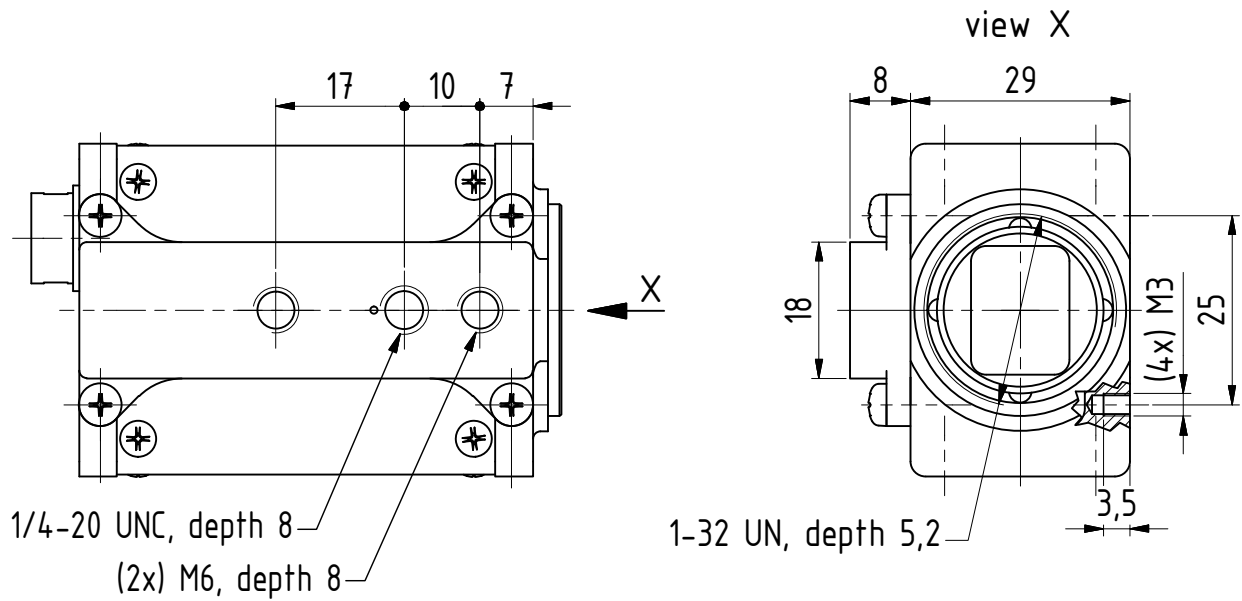




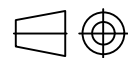
38 Series

(DxK 38UX253, DxK 38UX255
DxK38UX267, DxK38UX304)

(CS-mount with tripod adapter)



Dimensions: mm
Tolerances: DIN ISO 2768-f



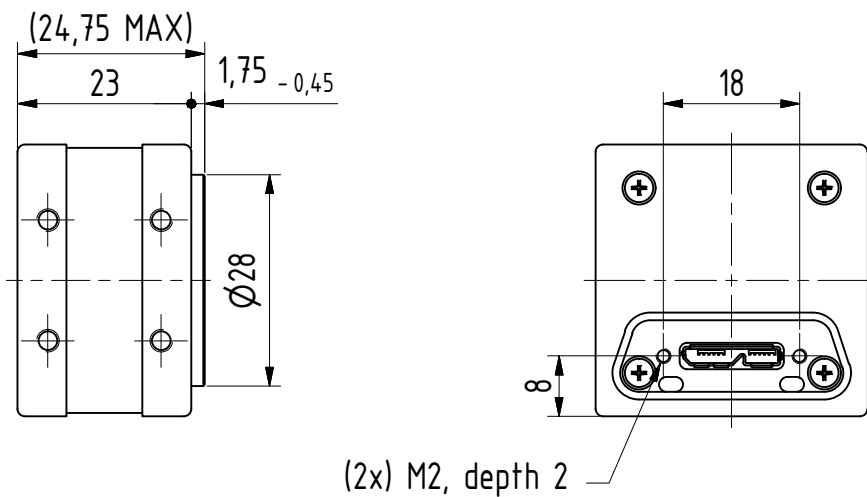
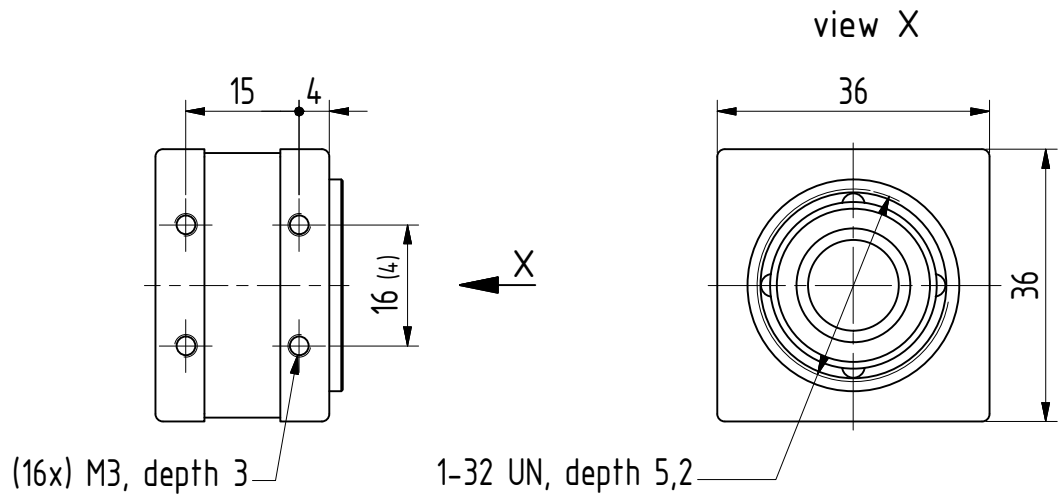


27 Series

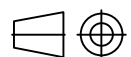
(DxK 27AUR135, DxK 27AUP006

DxK 27AUJ003)

(without tripod adapter)



Dimensions: mm
Tolerances: DIN ISO 2768-f



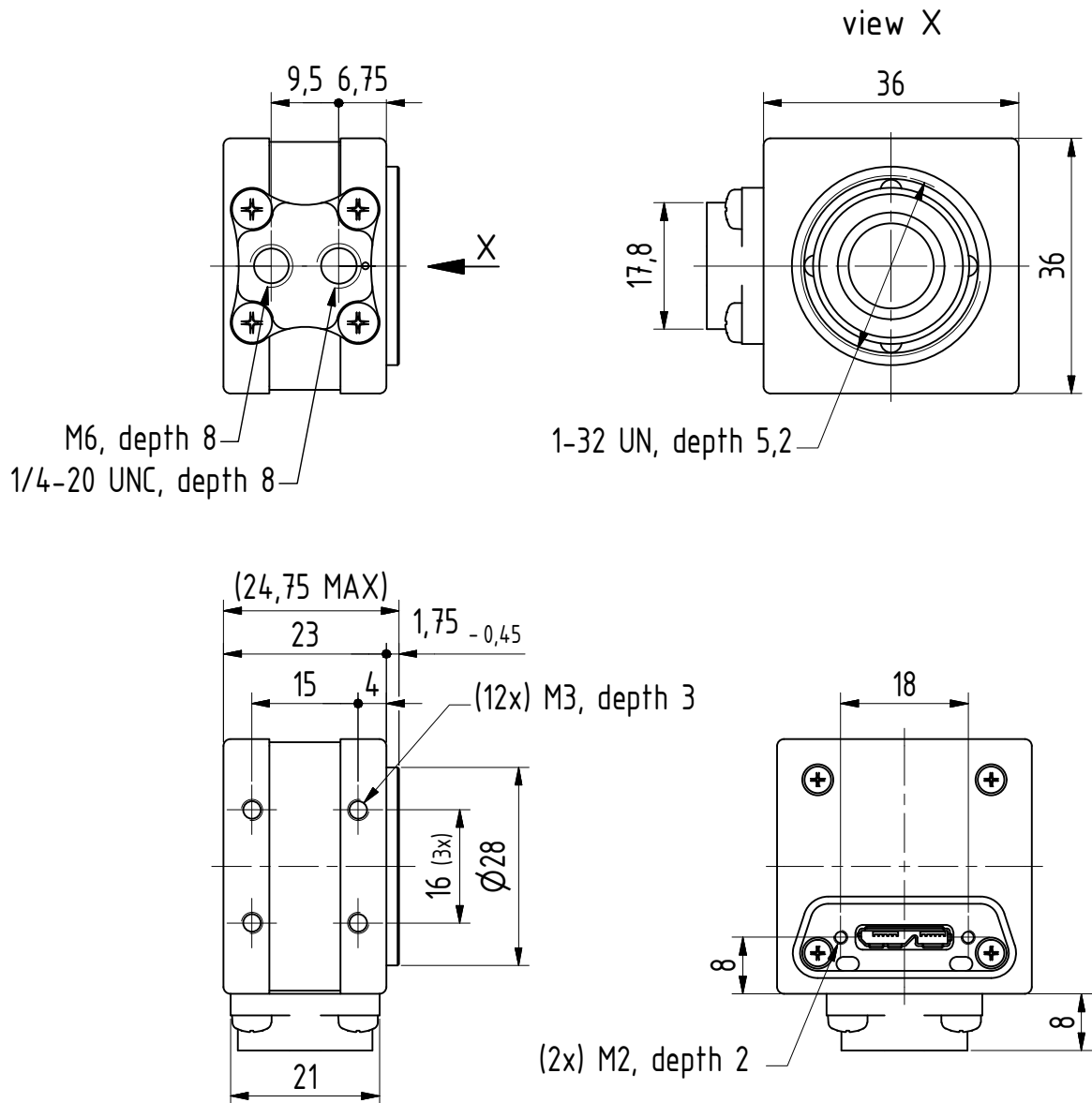


27 Series

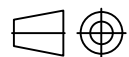
(DxK 27AUR135, DxK 27AUP006

DxK 27AUJ003)

(with tripod adapter)



Dimensions: mm
Tolerances: DIN ISO 2768-f

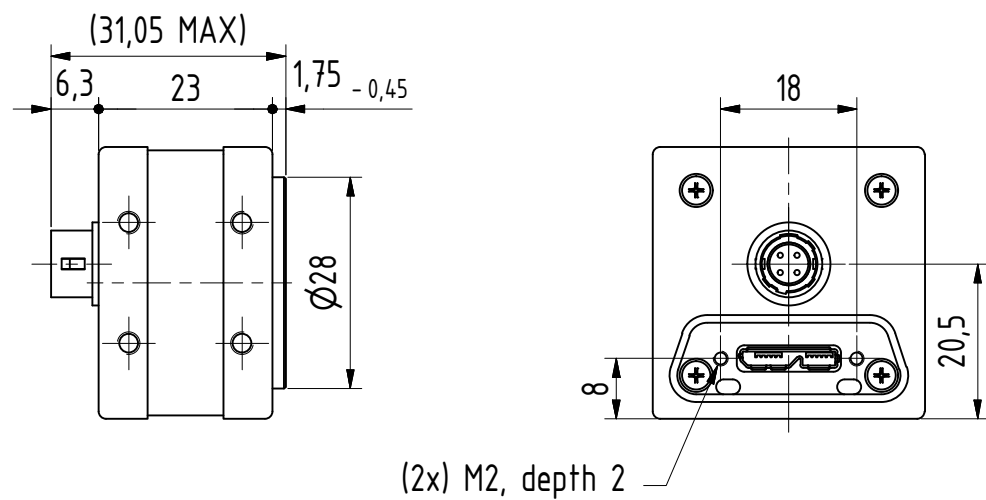
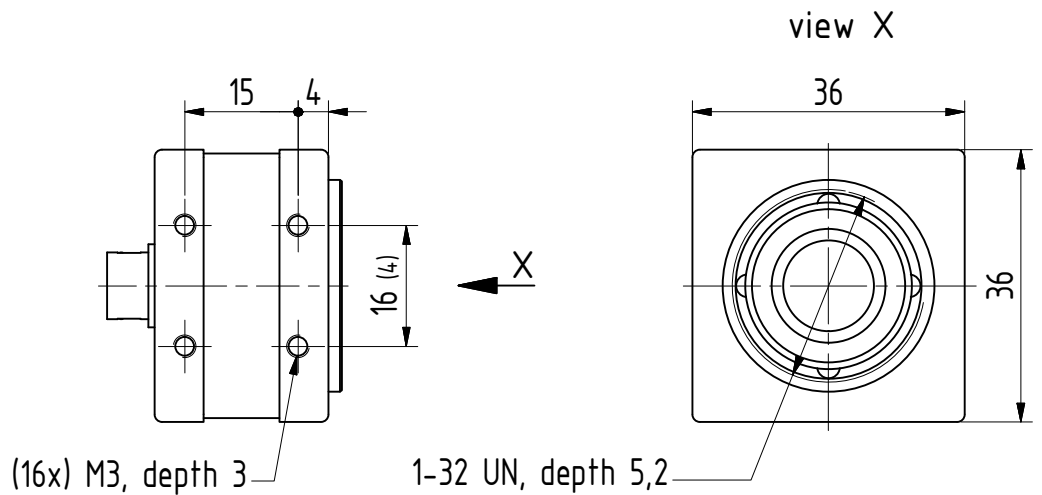




27 Series

(DxK 27BUR135, DxK 27BUP006
DxK 27BUJ003)

(without tripod adapter)



Dimensions: mm
Tolerances: DIN ISO 2768-f



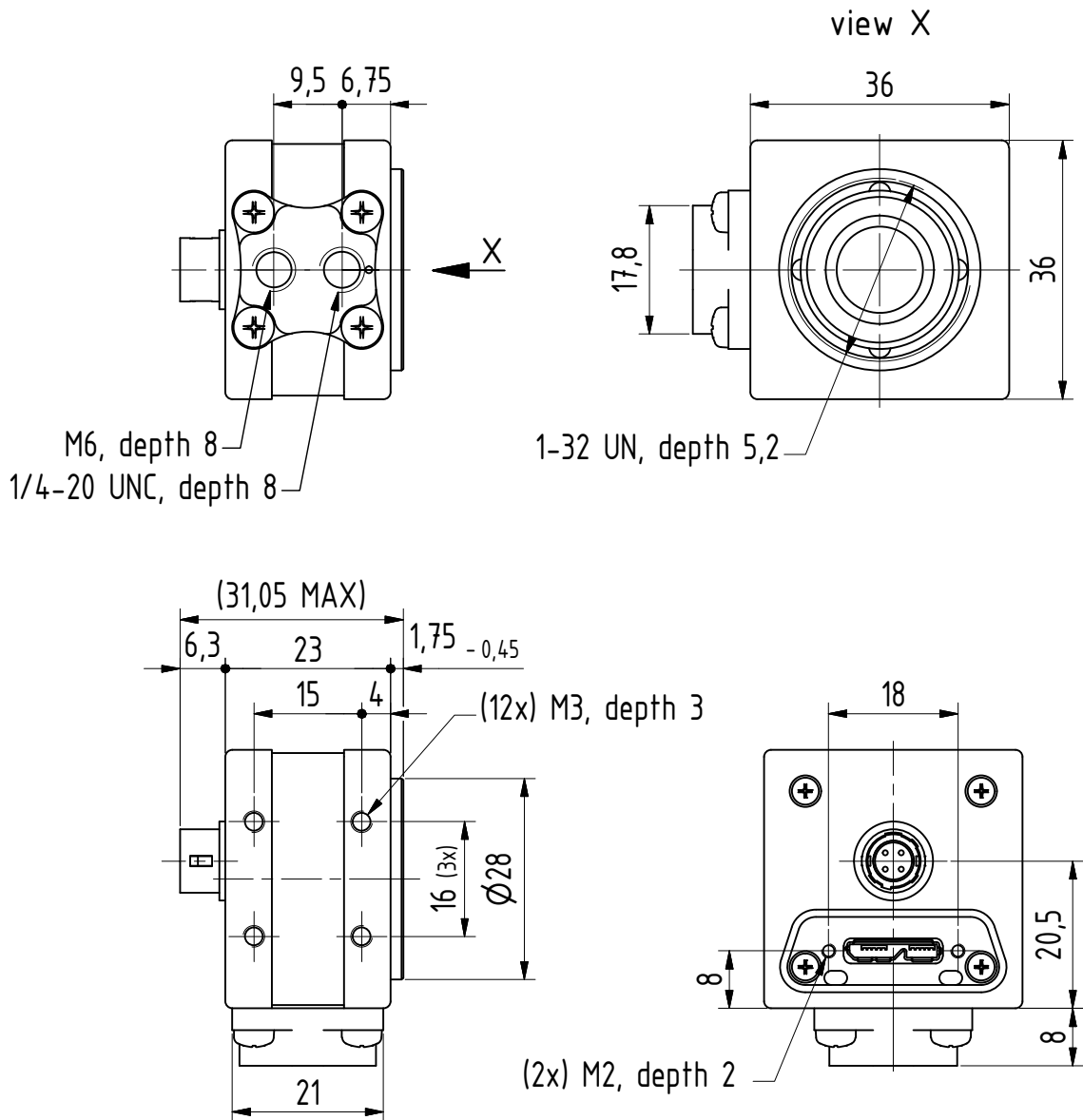


27 Series

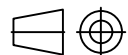
(DxK 27BUR135, DxK 27BUP006

DxK 27BUJ003)

(with tripod adapter)



Dimensions: mm
Tolerances: DIN ISO 2768-f

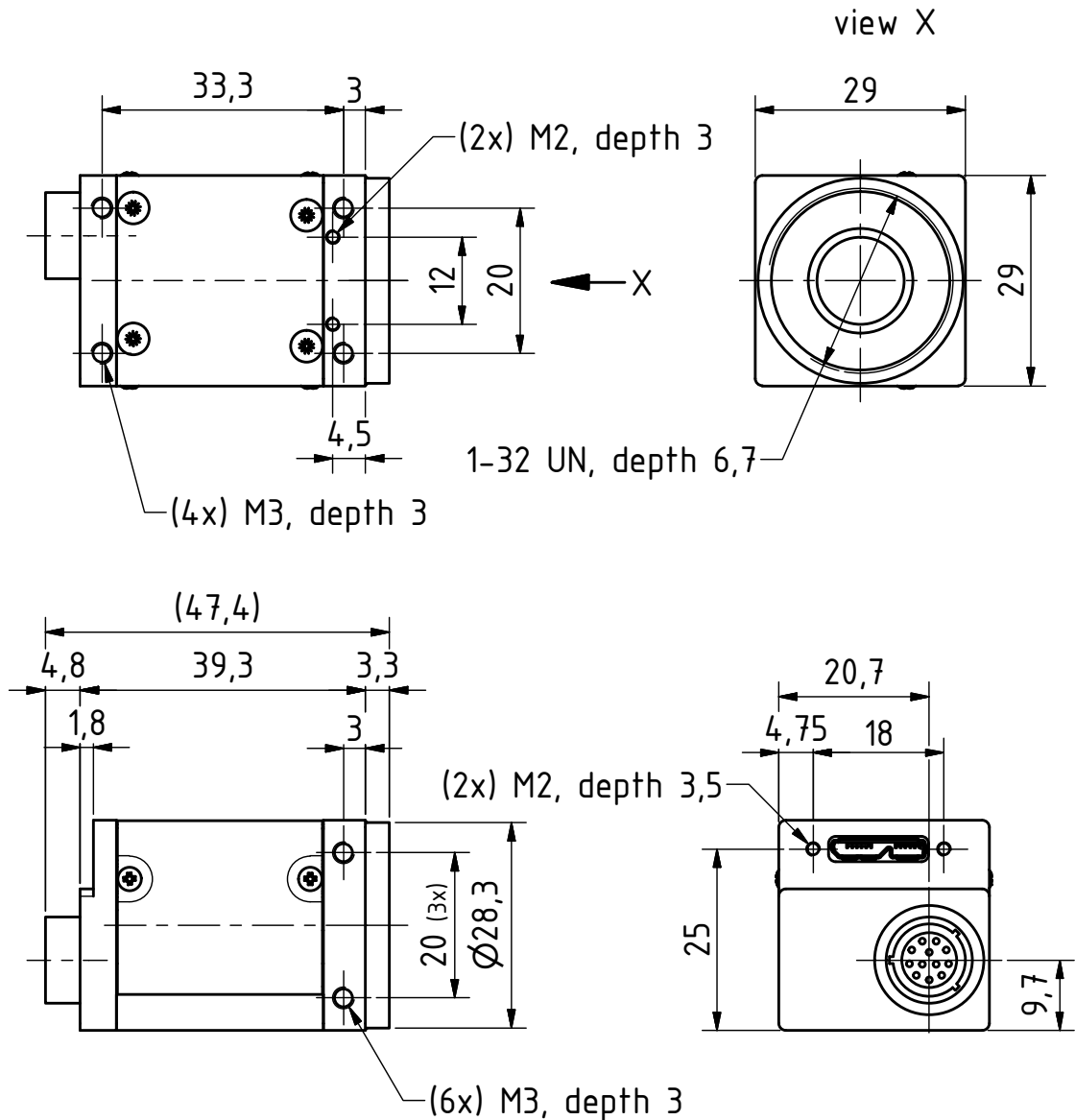




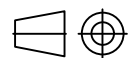
USB 33 Series

(DxK 33UP1300, DxK 33UX174, DxK 33UX249, DxK 33UX290
 DxK 33UP2000, DxK 33UX252, DxK 33UX265, DxK 33UX250
 DxK 33UP5000, DxK 33UX178, DxK 33UX264, DxK 33 UJ003)

(without tripod adapter)



Dimensions: mm
 Tolerances: DIN ISO 2768m

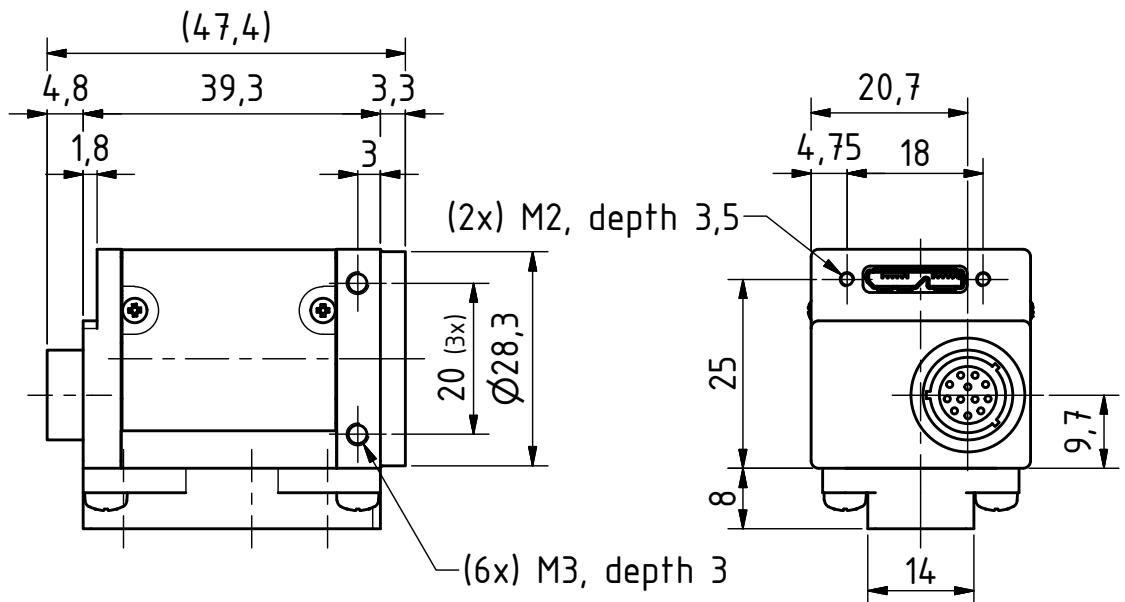
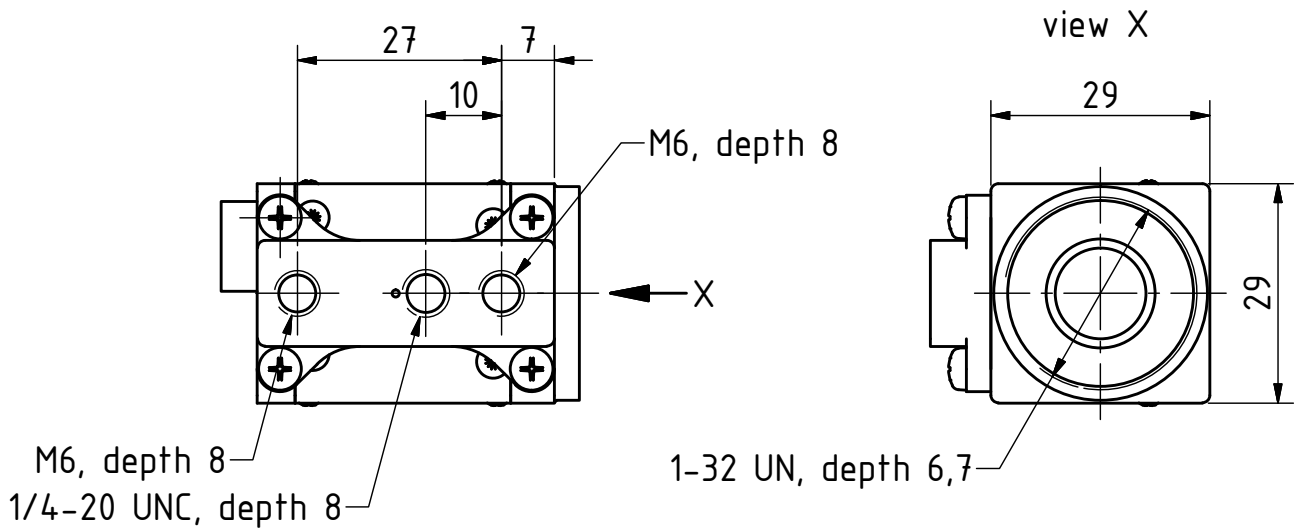




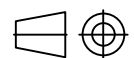
USB 33 Series

(DxK 33UP1300, DxK 33UX174, DxK 33UX249, DxK 33UX290
DxK 33UP2000, DxK 33UX252, DxK 33UX265, DxK 33UX250
DxK 33UP5000, DxK 33UX178, DxK 33UX264, DxK 33 UJ003)

(with tripod adapter)



Dimensions: mm
Tolerances: DIN ISO 2768m



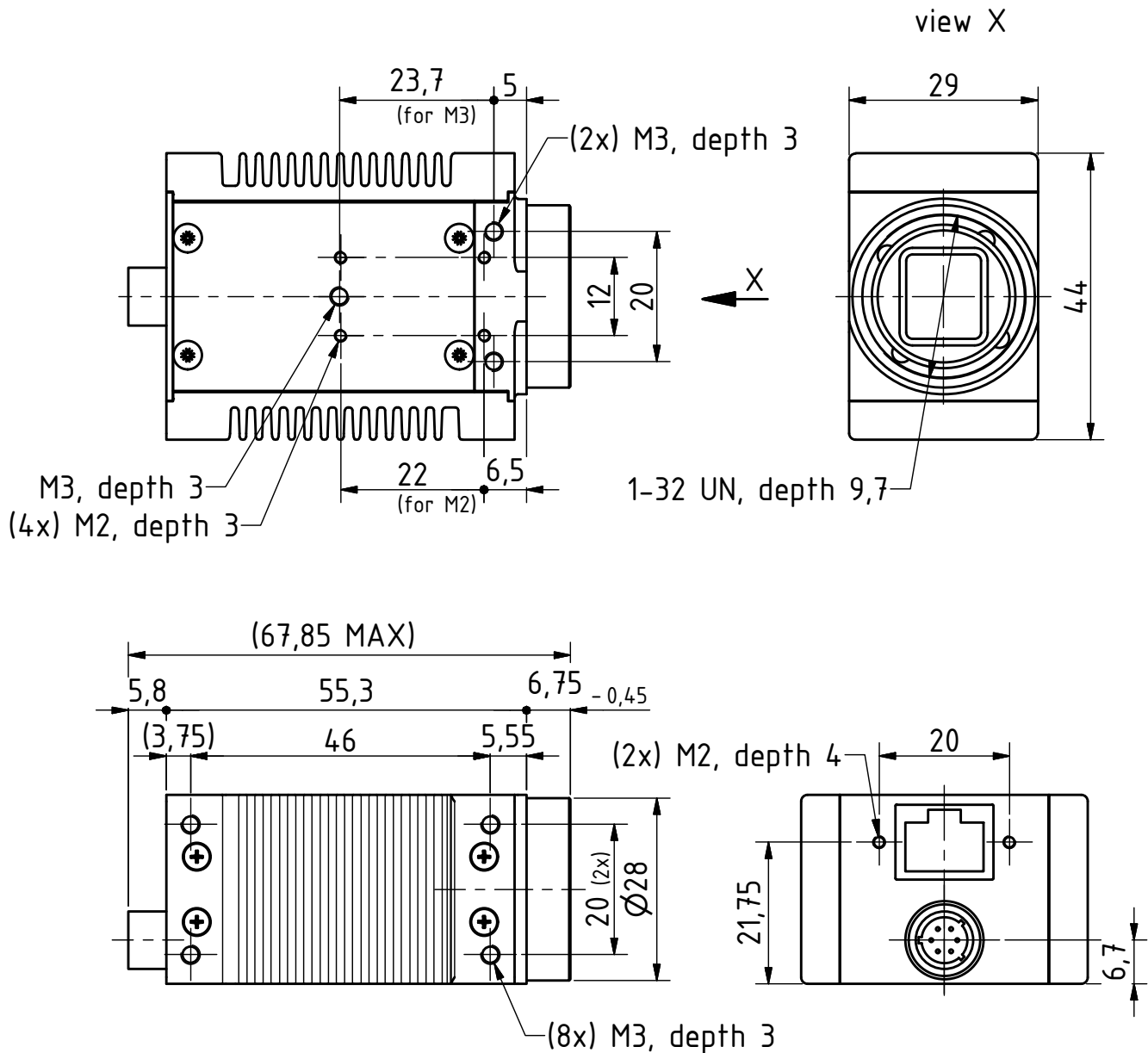


33 Series

(DxK 33GX290e, DxK 33GX174e

DxK 33GX249e)

(C-mount without tripod adapter)



Dimensions: mm
Tolerances: DIN ISO 2768m



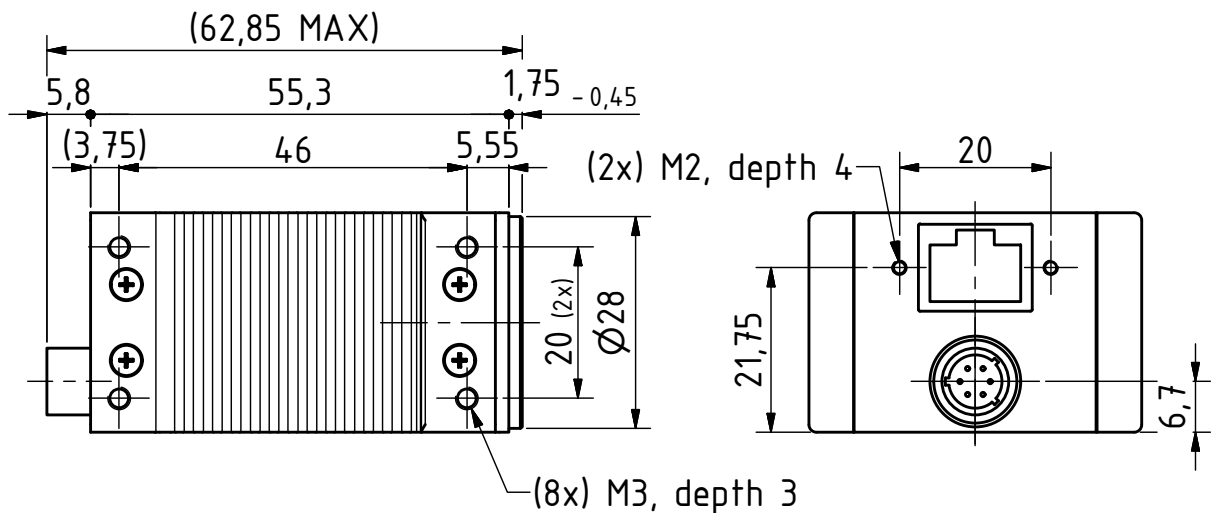
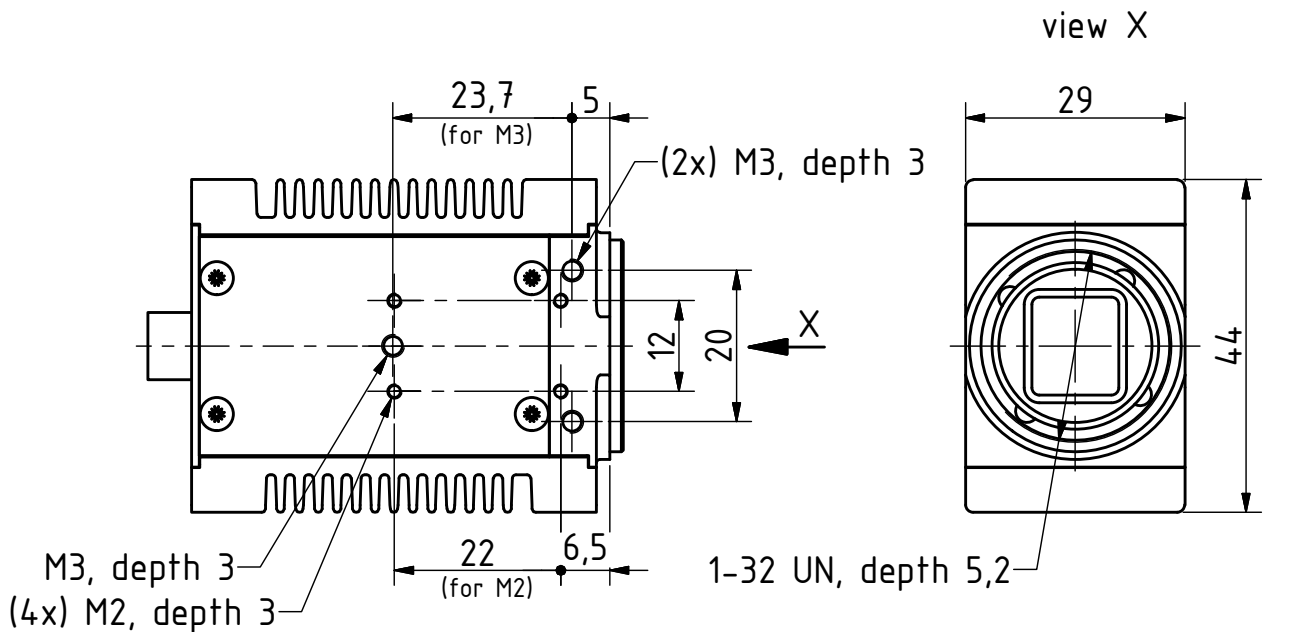


33 Series

(DxK 33GX290e, DxK 33GX174e

DxK 33GX249e)

(CS-mount without tripod adapter)



Dimensions: mm
Tolerances: DIN ISO 2768m



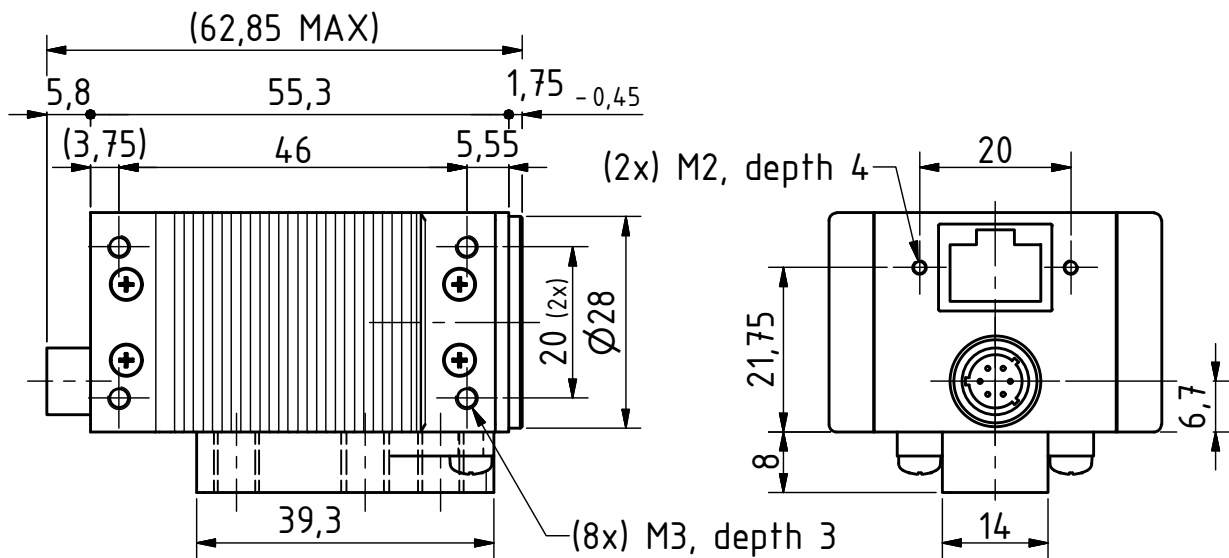
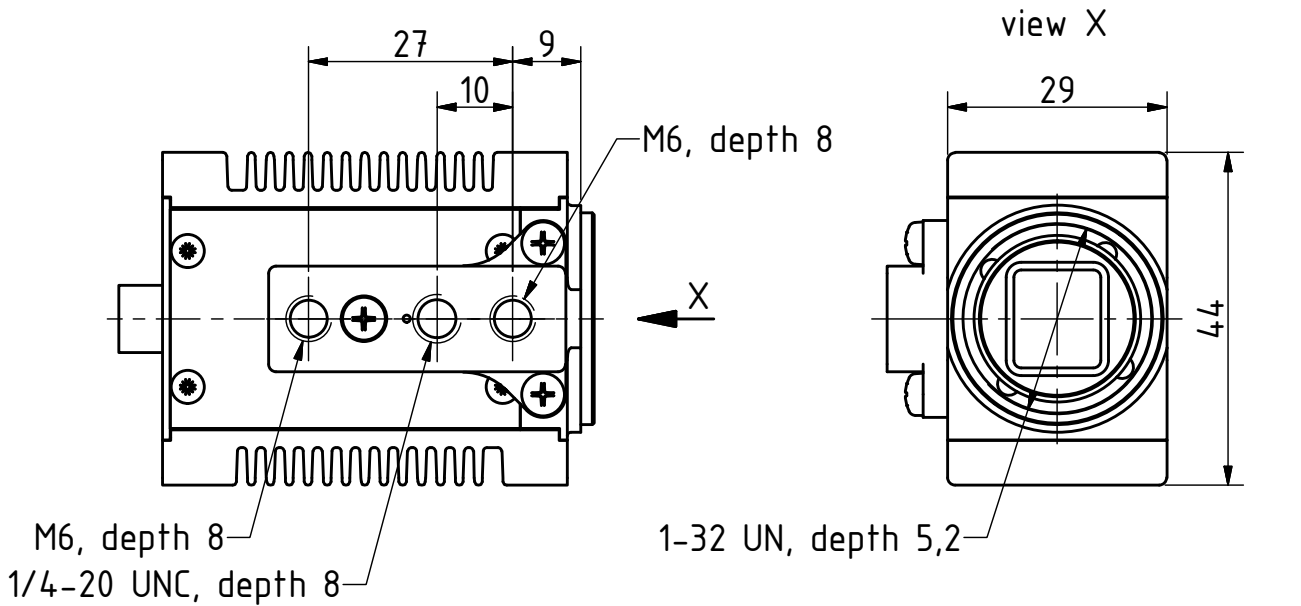


33 Series

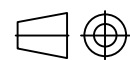
(DxK 33GX290e, DxK 33GX174e

DxK 33GX249e)

(CS-mount with tripod adapter)



Dimensions: mm
Tolerances: DIN ISO 2768m



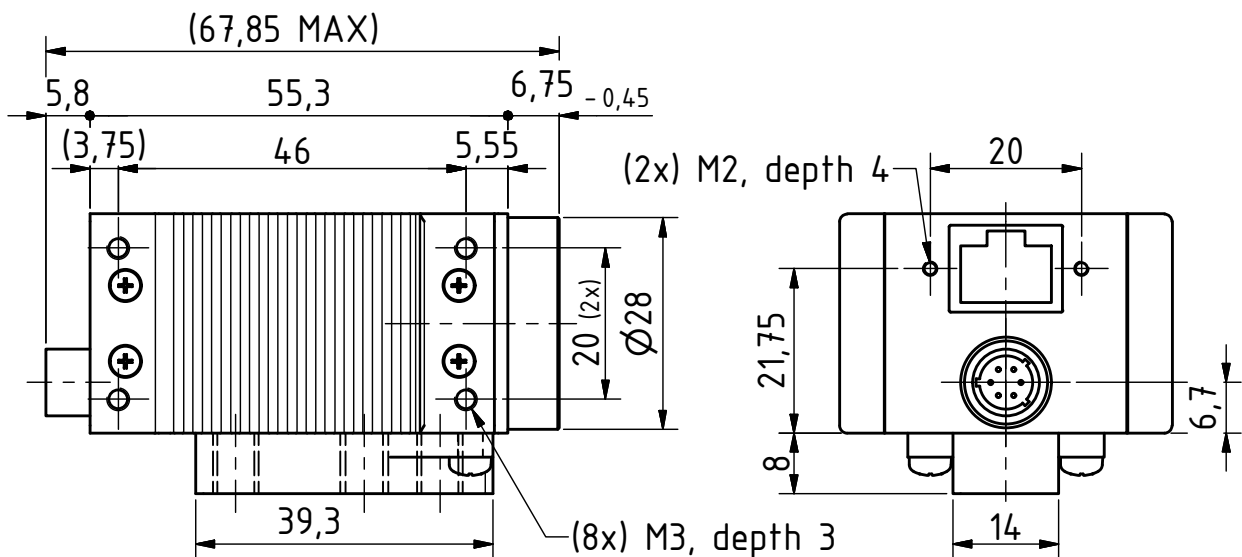
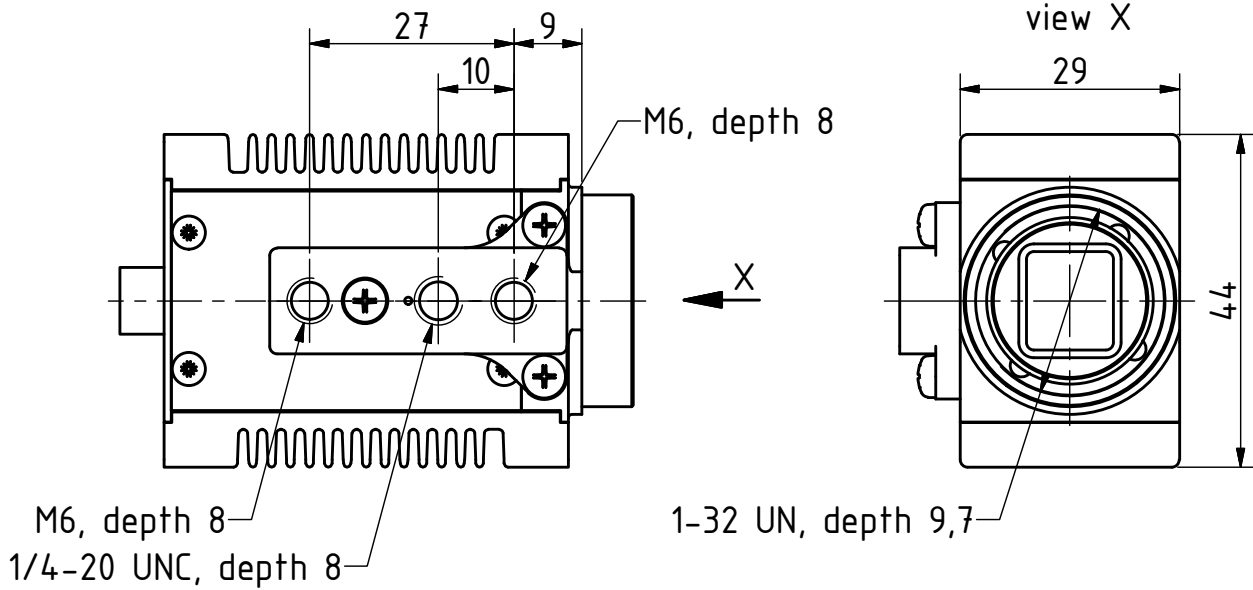


33 Series

(DxK 33GX290e, DxK 33GX174e

DxK 33GX249e)

(C-mount with tripod adapter)



Dimensions: mm
Tolerances: DIN ISO 2768m

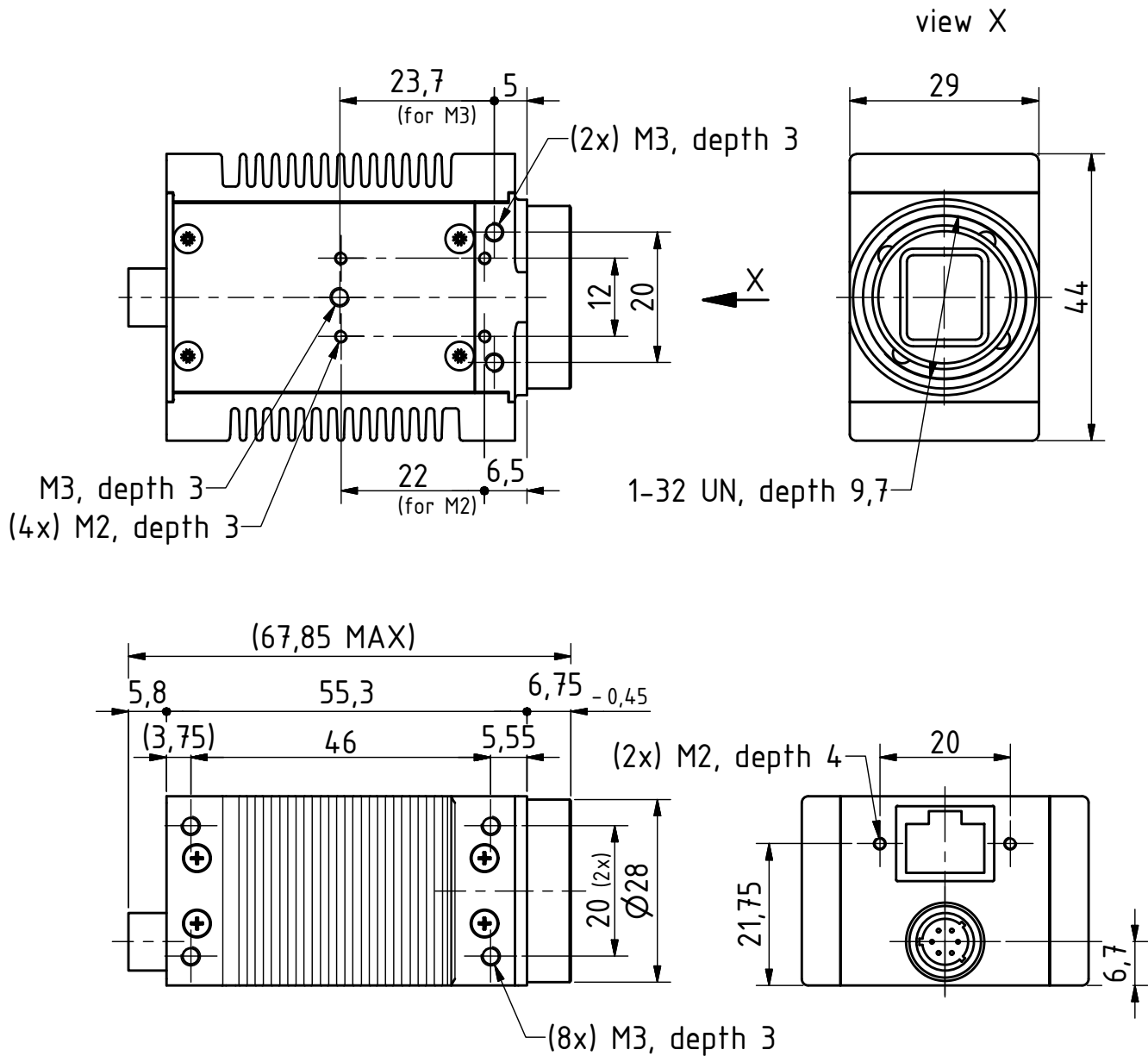




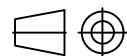
33e Series

(DxK 33GX265e, DxK 33GX 264e
DxK 33GX178e, DxK 33GJ003e)

(C-mount without tripod adapter)



Dimensions: mm
Tolerances: DIN ISO 2768m

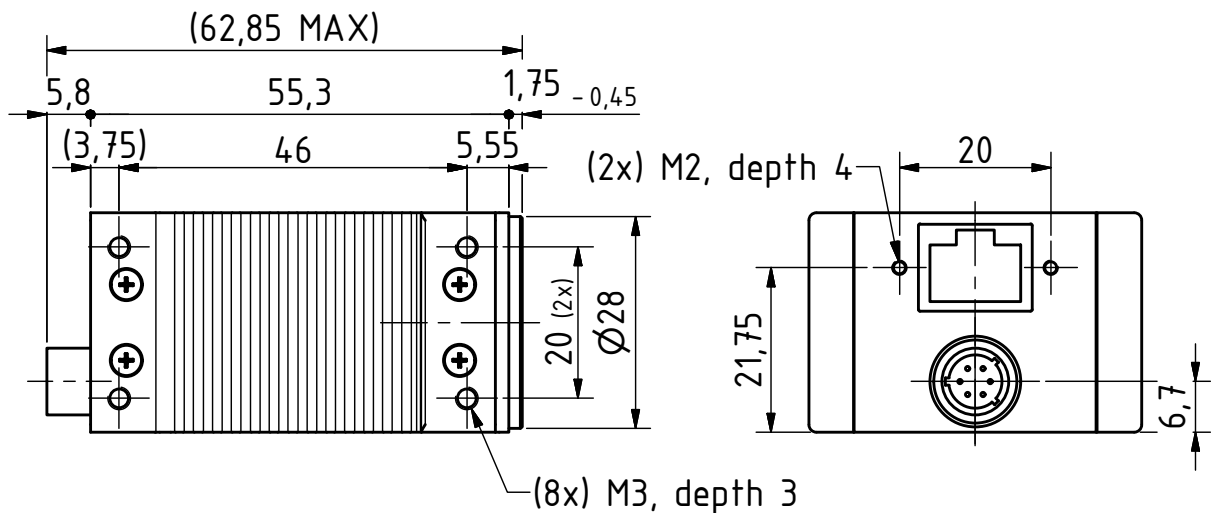
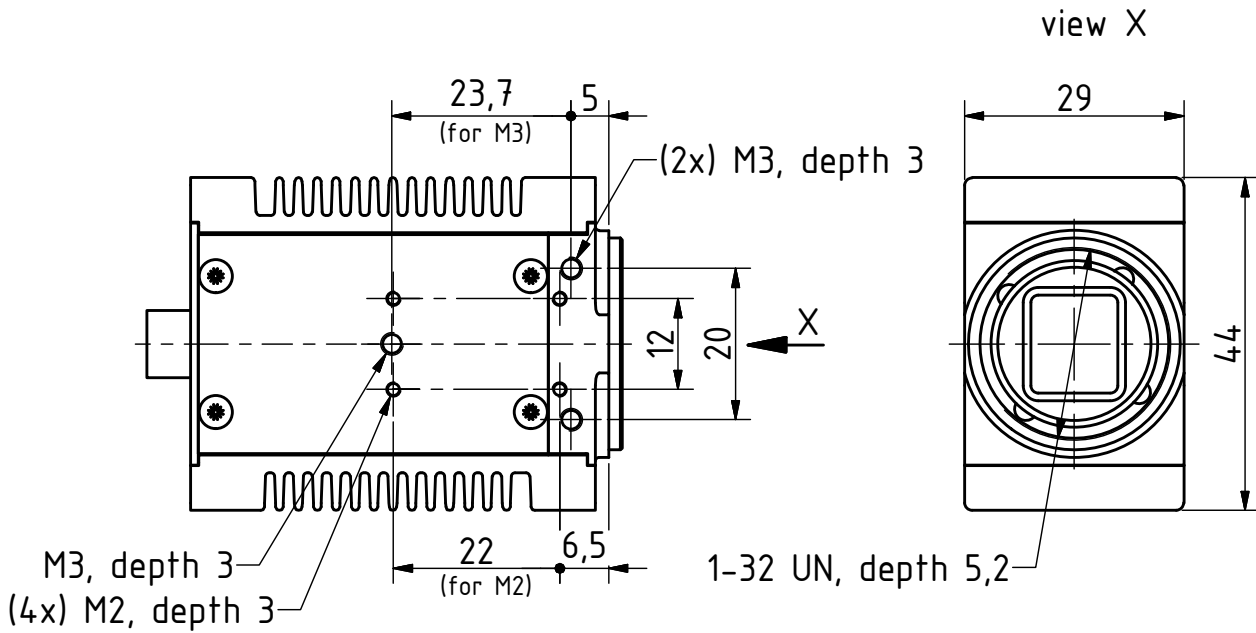




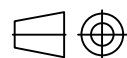
33e Series

(DxK 33GX265e, DxK 33GX 264e
DxK 33GX178e, DxK 33GJ003e)

(CS-mount without tripod adapter)



Dimensions: mm
Tolerances: DIN ISO 2768m

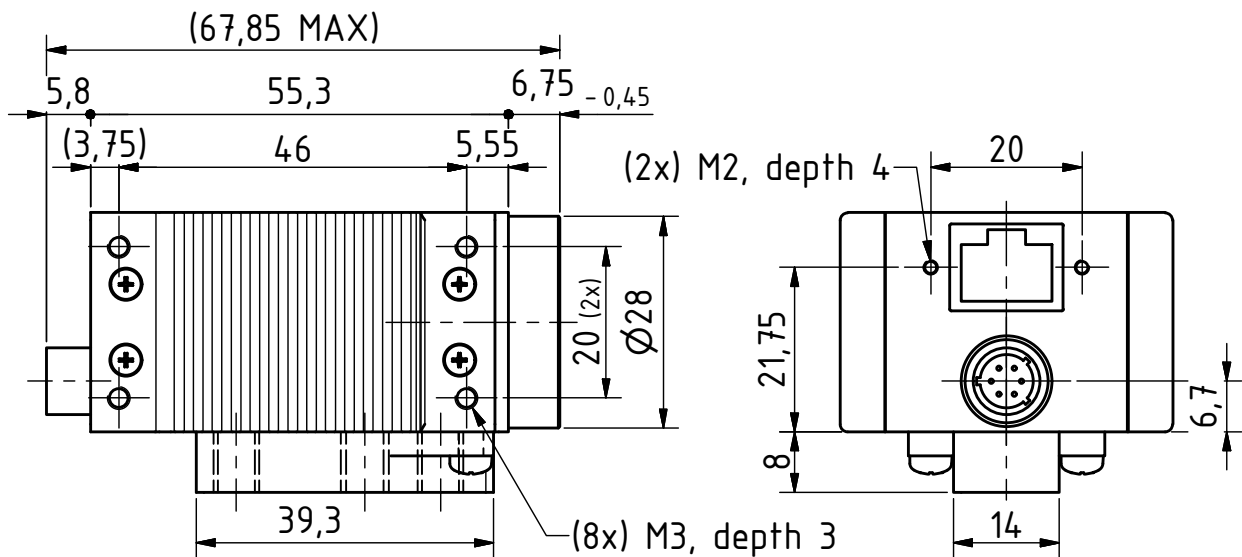
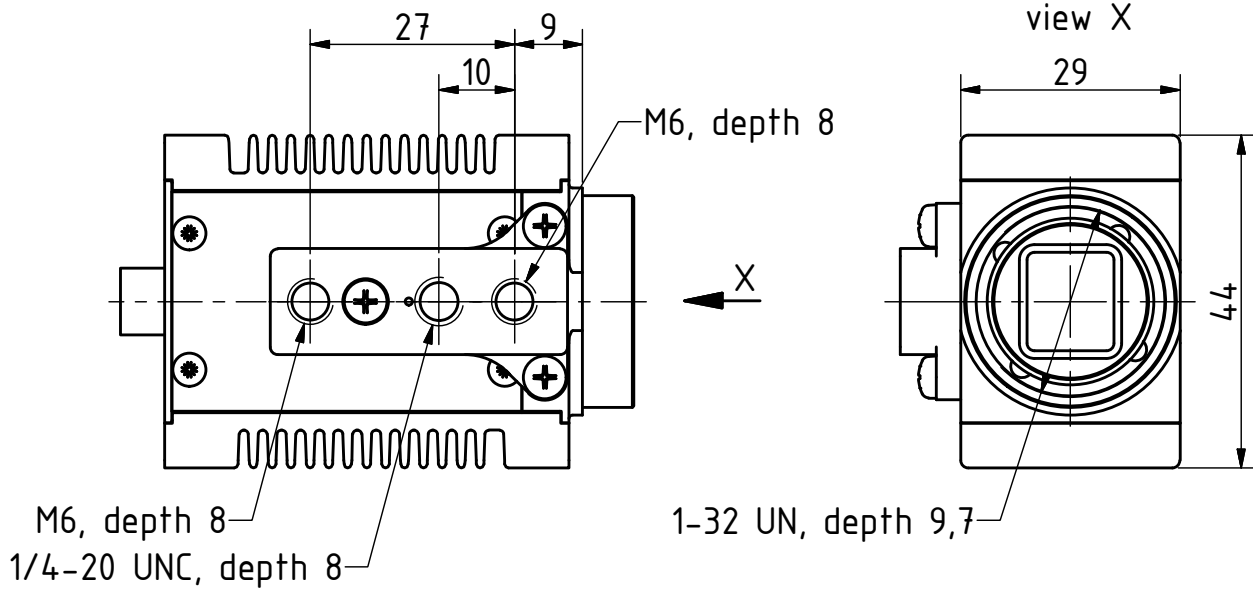




33e Series

(DxK 33GX265e, DxK 33GX 264e
DxK 33GX178e, DxK 33GJ003e)

(C-mount with tripod adapter)



Dimensions: mm
Tolerances: DIN ISO 2768m

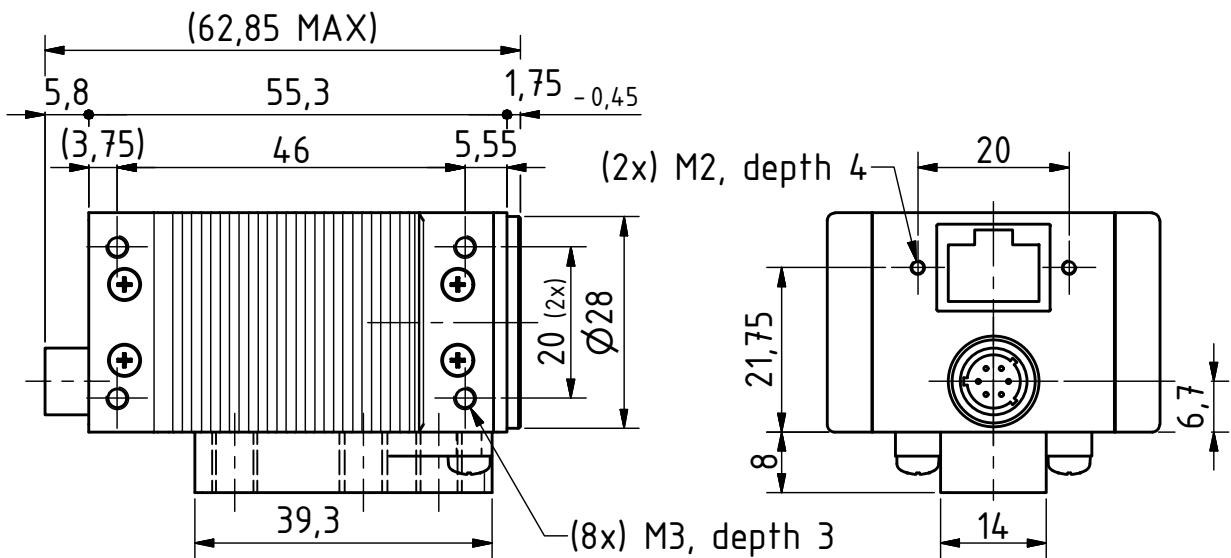
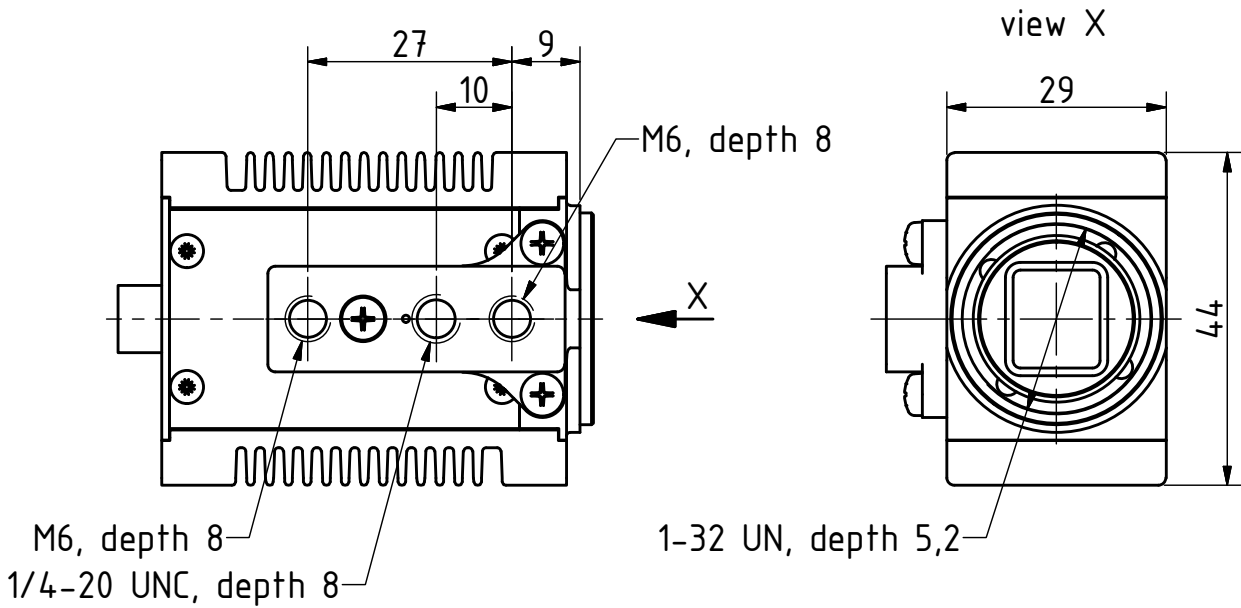




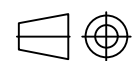
33e Series

(DxK 33GX265e, DxK 33GX 264e
DxK 33GX178e, DxK 33GJ003e)

(CS-mount with tripod adapter)



Dimensions: mm
Tolerances: DIN ISO 2768m

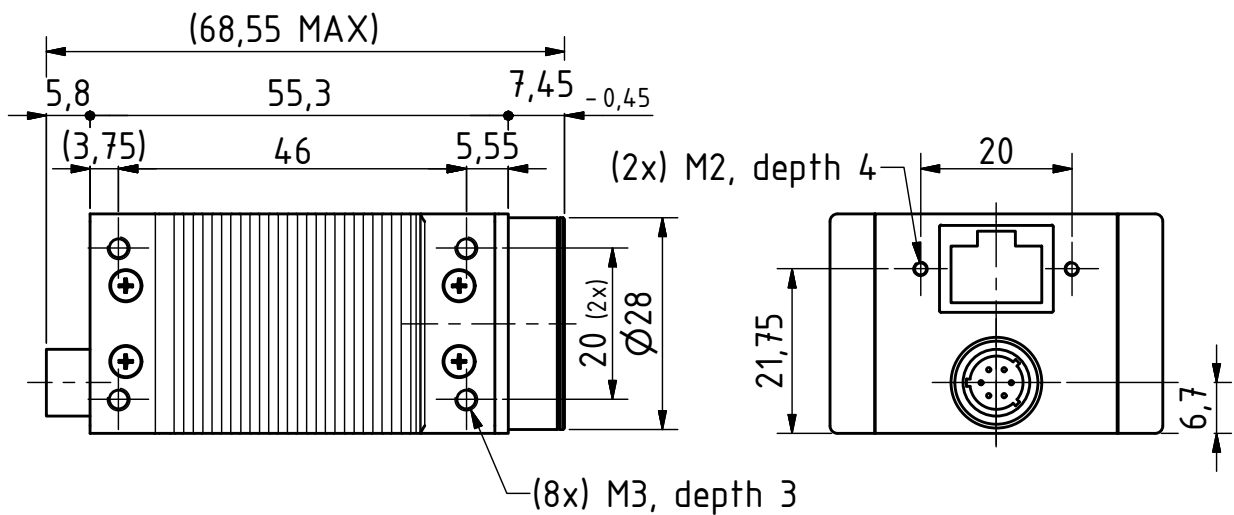
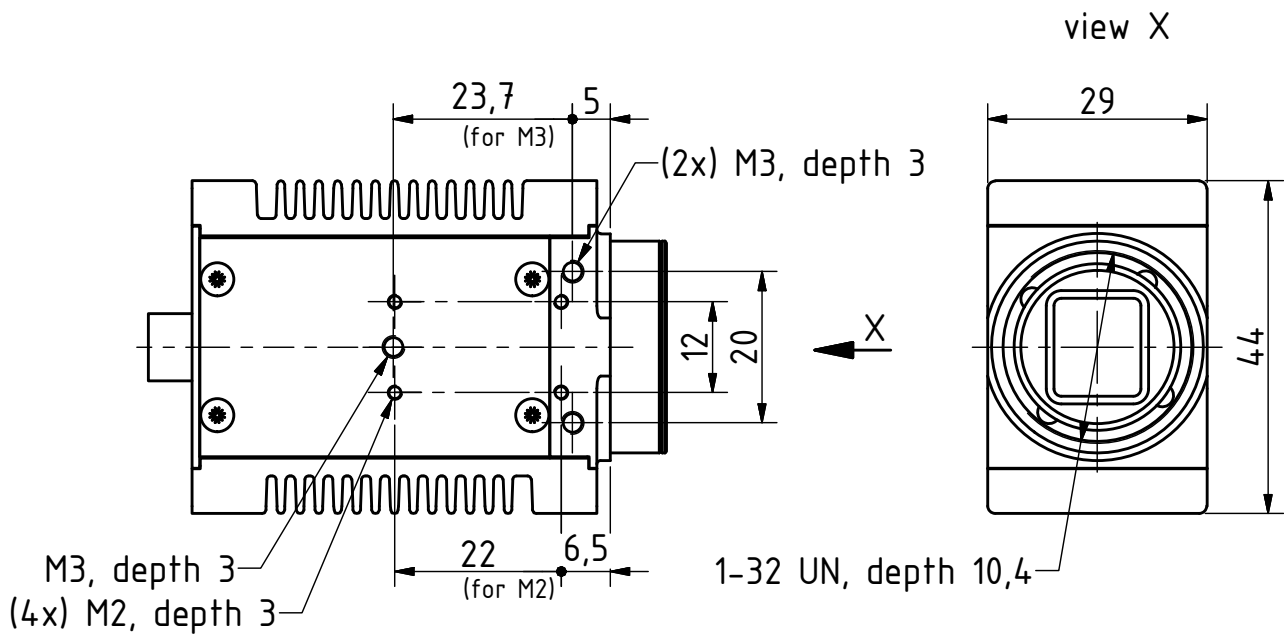




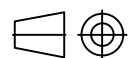
33e Series

(DxK 33GP1300e)

(C-mount without tripod adapter)



Dimensions: mm
Tolerances: DIN ISO 2768m

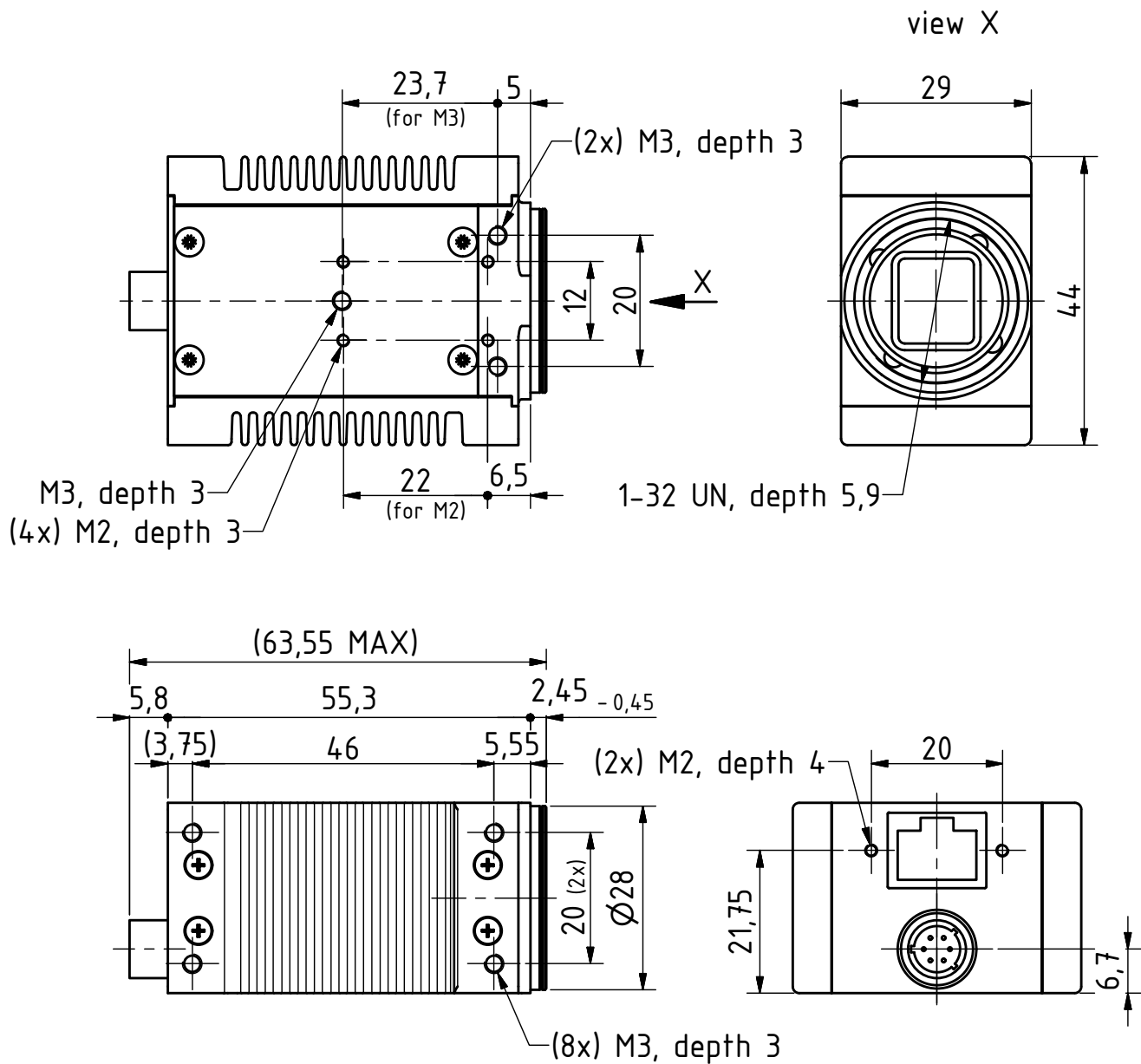




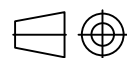
33e Series

(DxK 33GP1300e)

(CS-mount without tripod adapter)



Dimensions: mm
Tolerances: DIN ISO 2768m

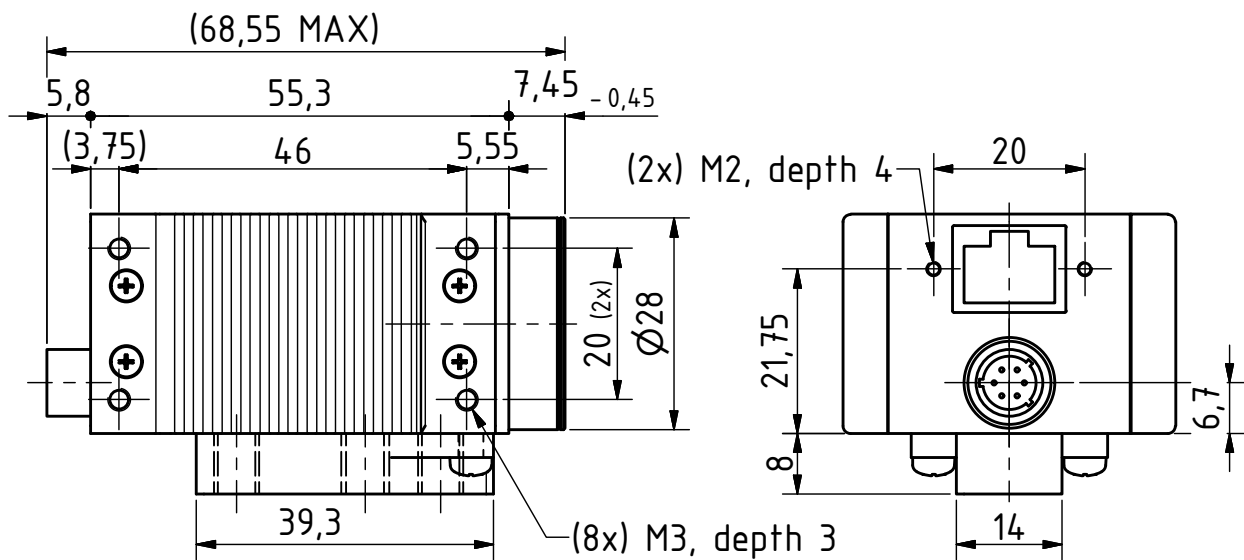
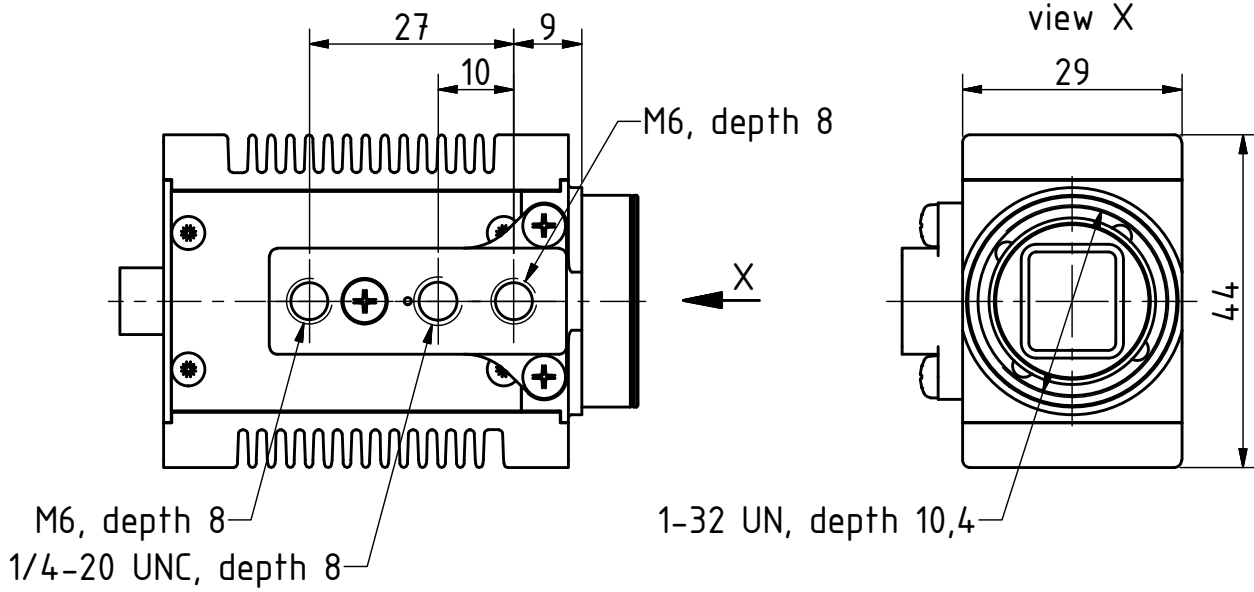




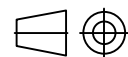
33e Series

(DxK 33GP1300e)

(C-mount with tripod adapter)



Dimensions: mm
Tolerances: DIN ISO 2768m

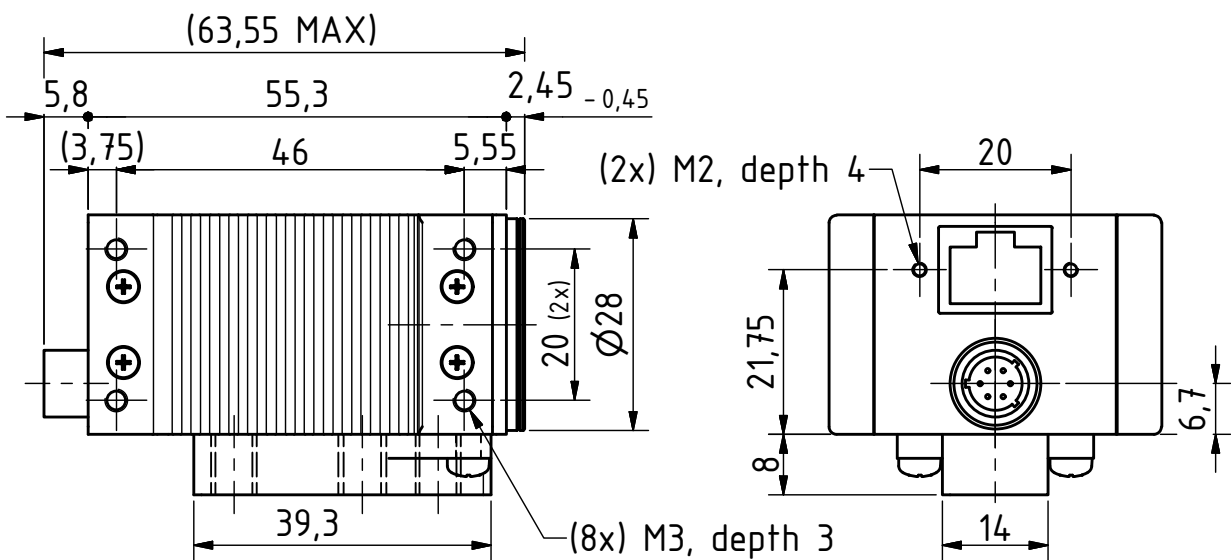
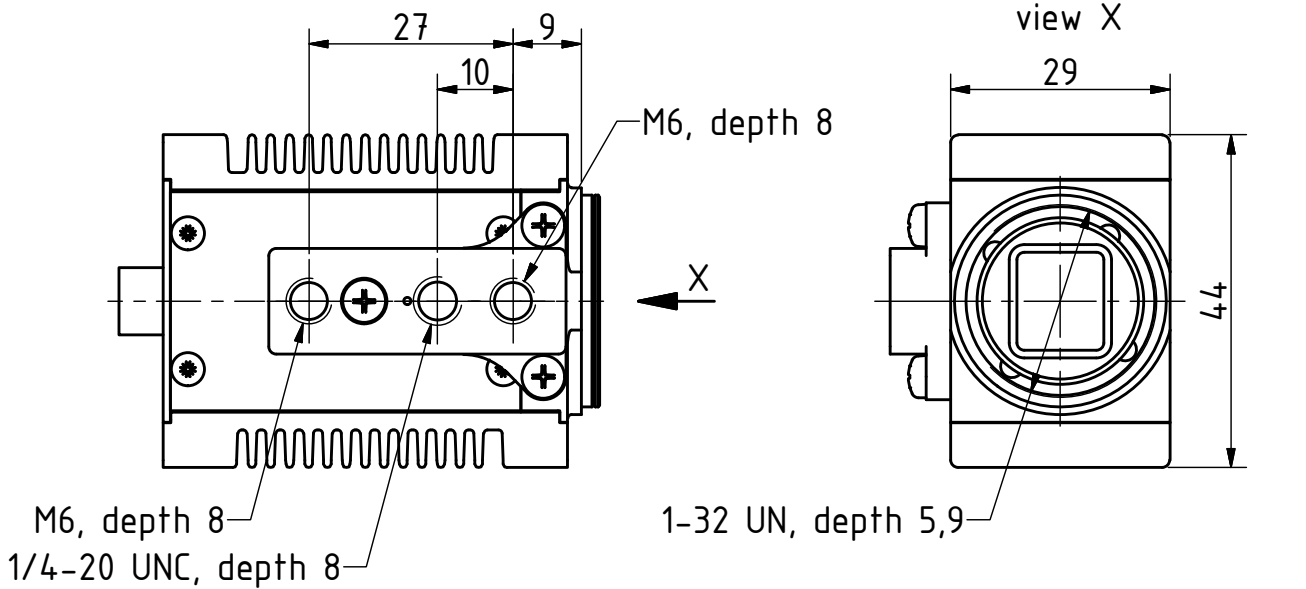




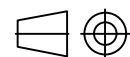
33e Series

(DxK 33GP1300e)

(CS-mount with tripod adapter)



Dimensions: mm
Tolerances: DIN ISO 2768m

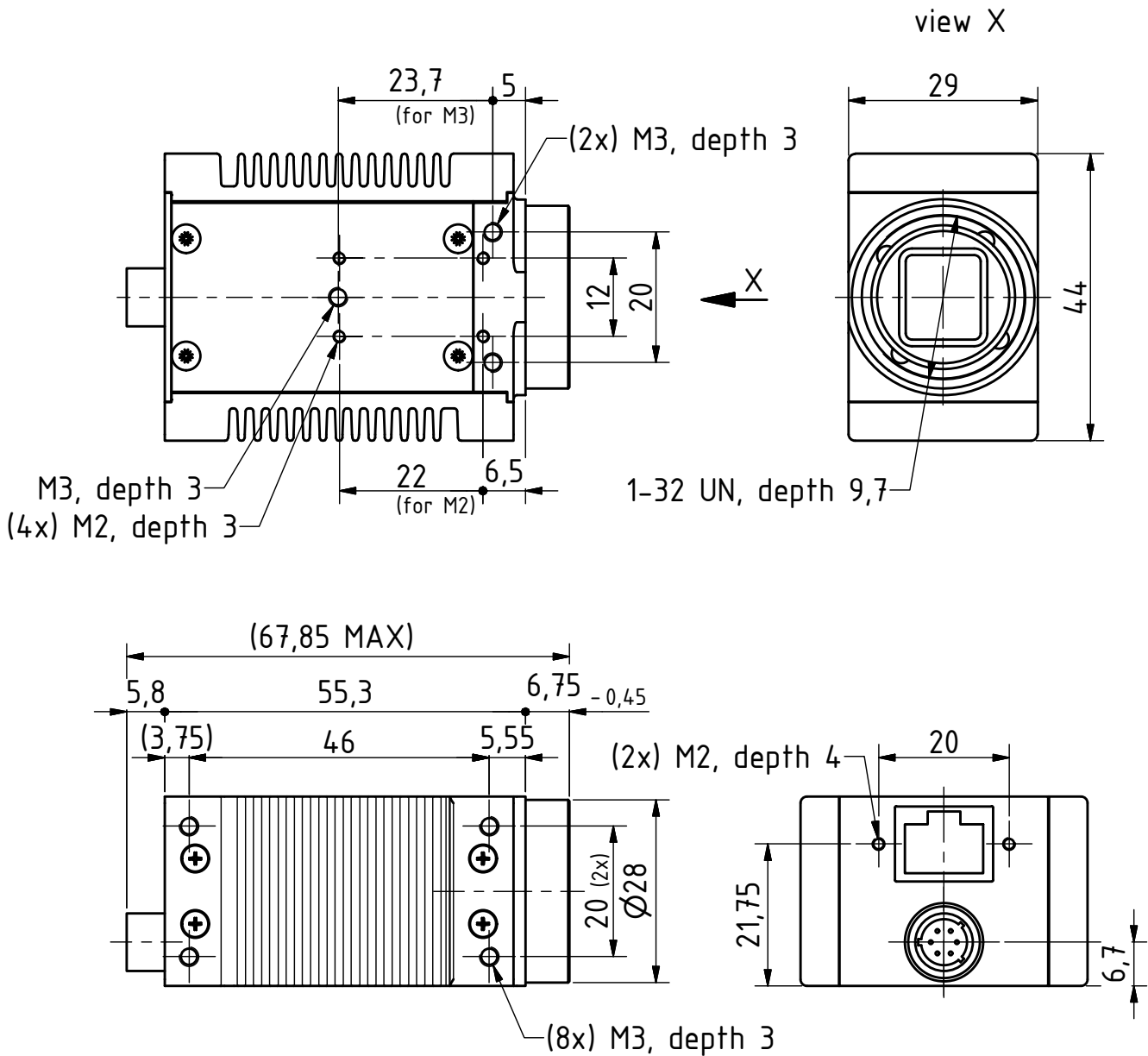




33e Series

(DMK 33GP2000e
DMK 33GP5000e)

(C-mount without tripod adapter)



Dimensions: mm
Tolerances: DIN ISO 2768m

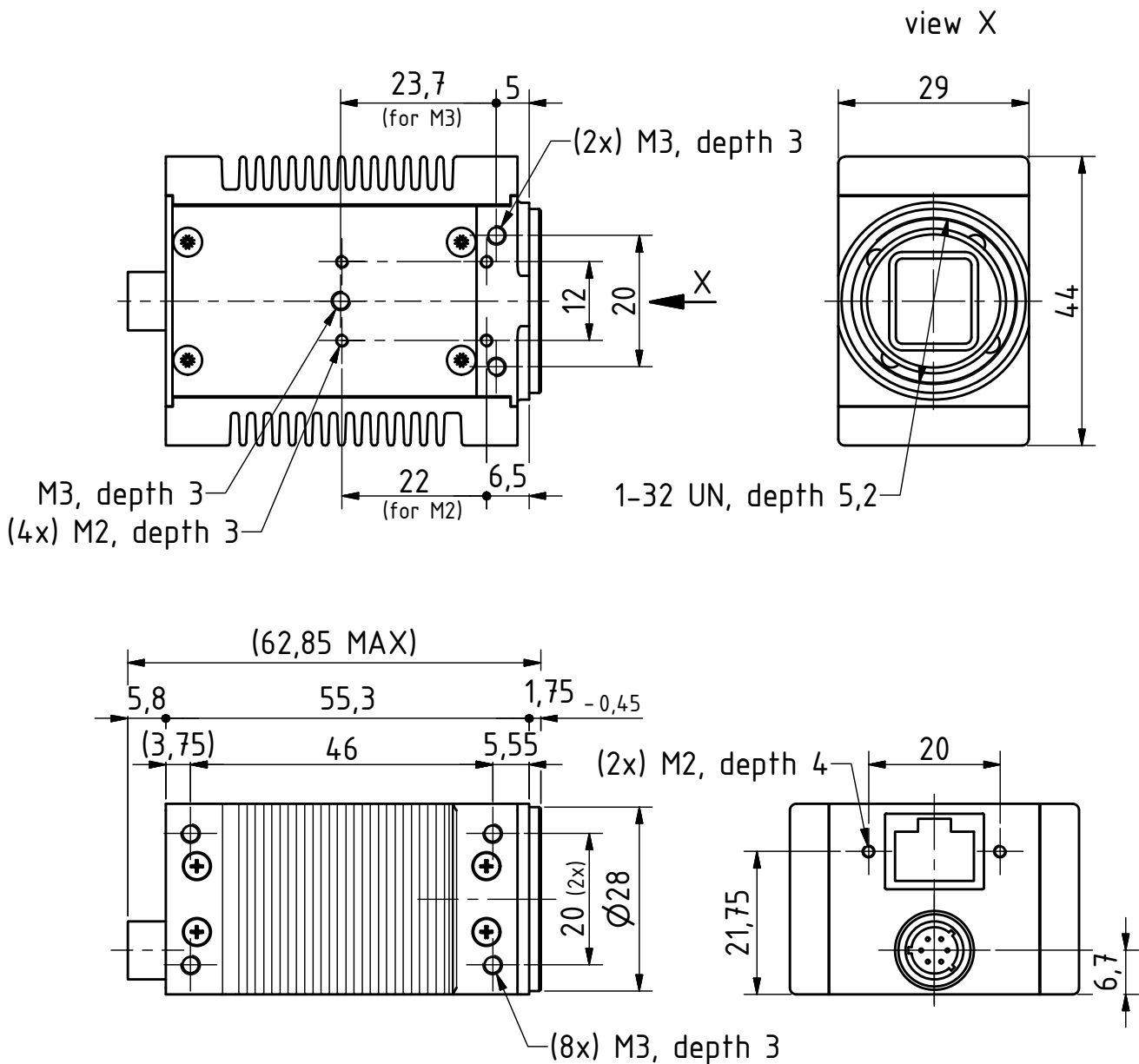




33e Series

(DMK 33GP2000e
DMK 33GP5000e)

(CS-mount without tripod adapter)



Dimensions: mm
Tolerances: DIN ISO 2768m

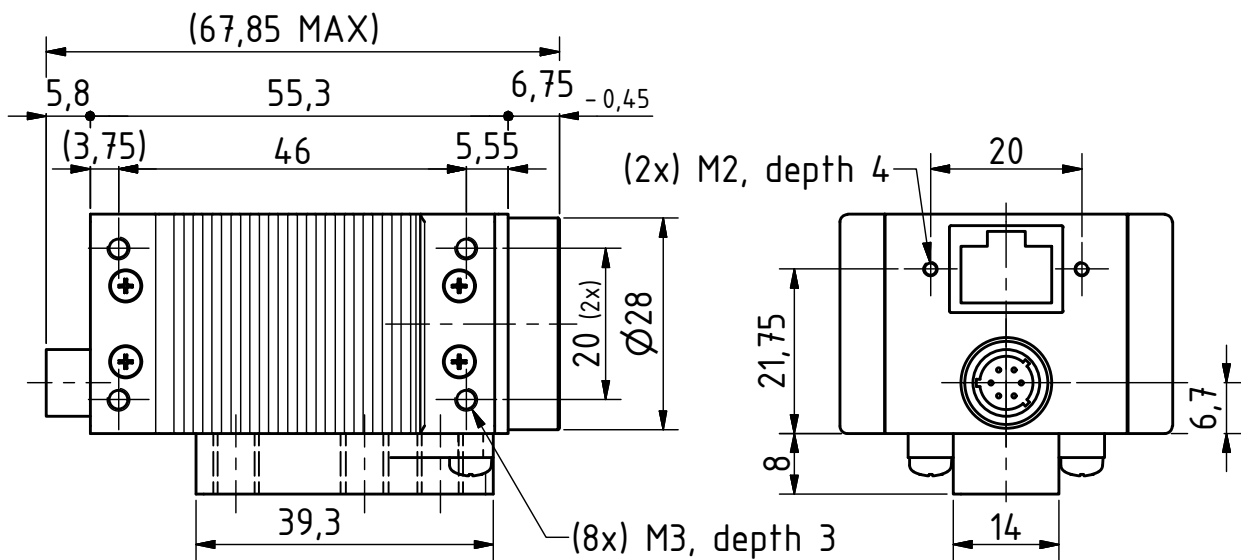
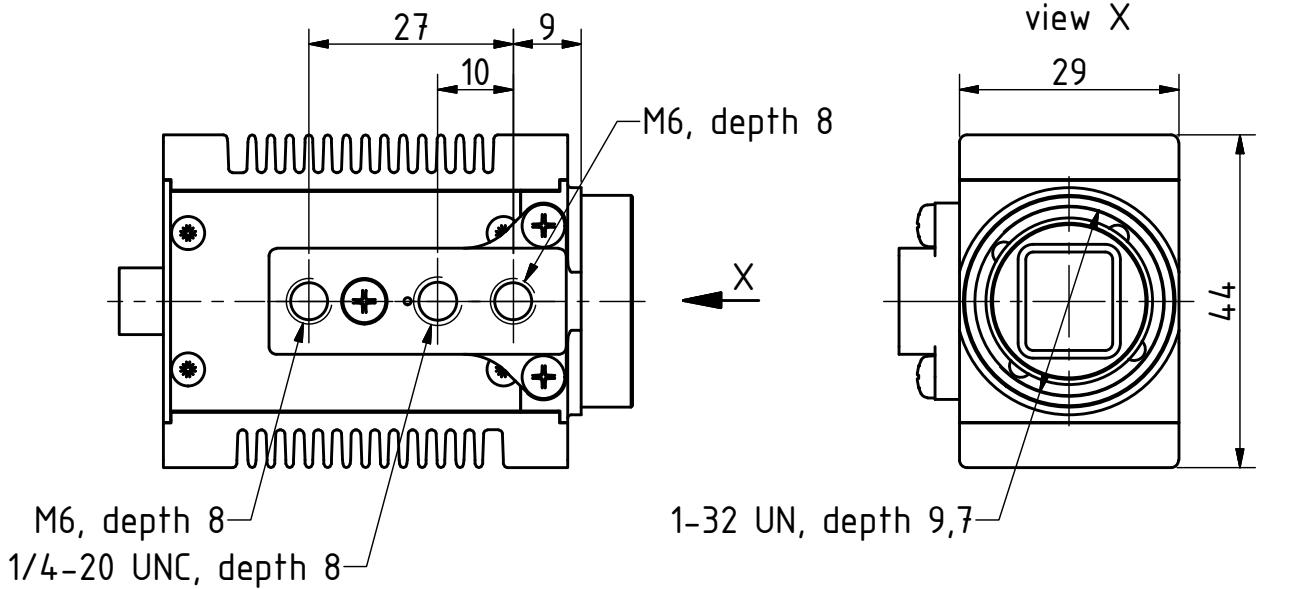




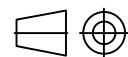
33e Series

(DMK 33GP2000e
DMK 33GP5000e)

(C-mount with tripod adapter)



Dimensions: mm
Tolerances: DIN ISO 2768m

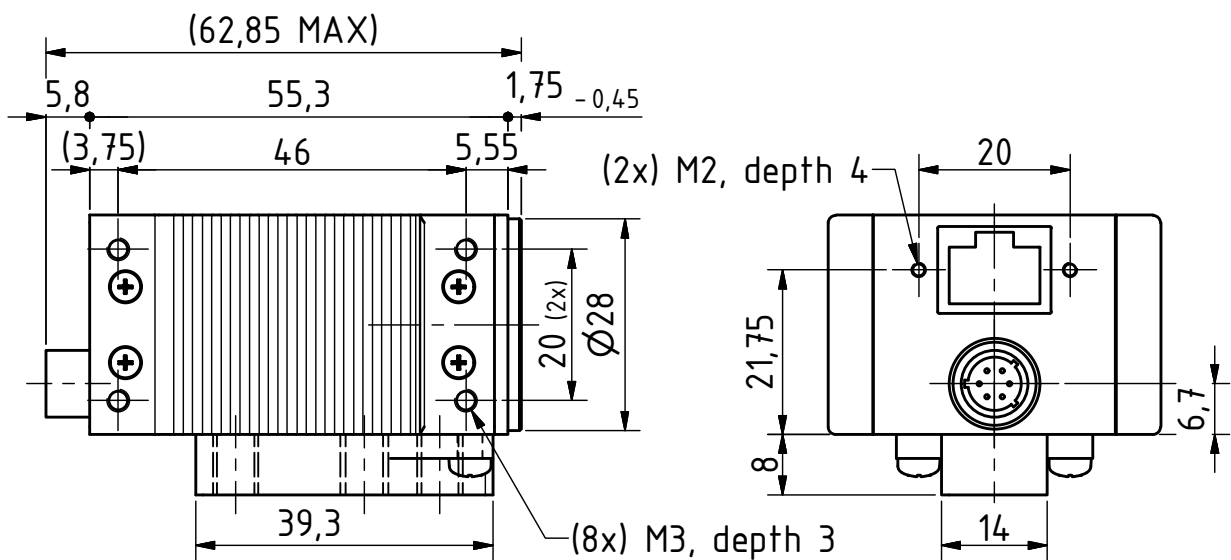
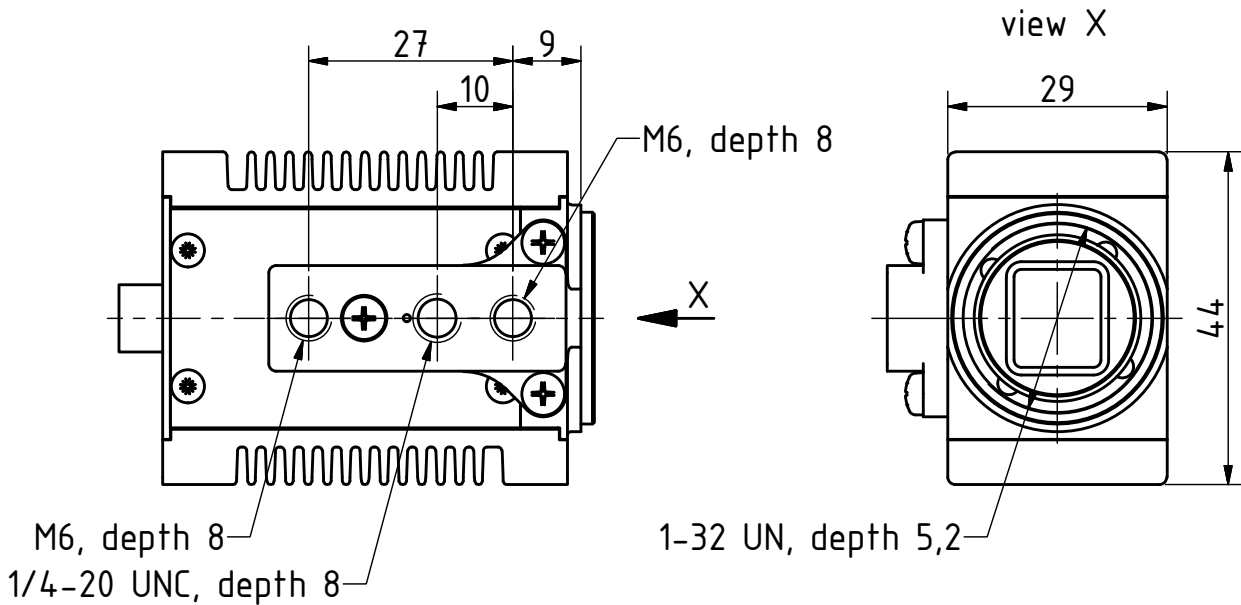




33e Series

(DMK 33GP2000e
DMK 33GP5000e)

(CS-mount with tripod adapter)



Dimensions: mm
Tolerances: DIN ISO 2768m



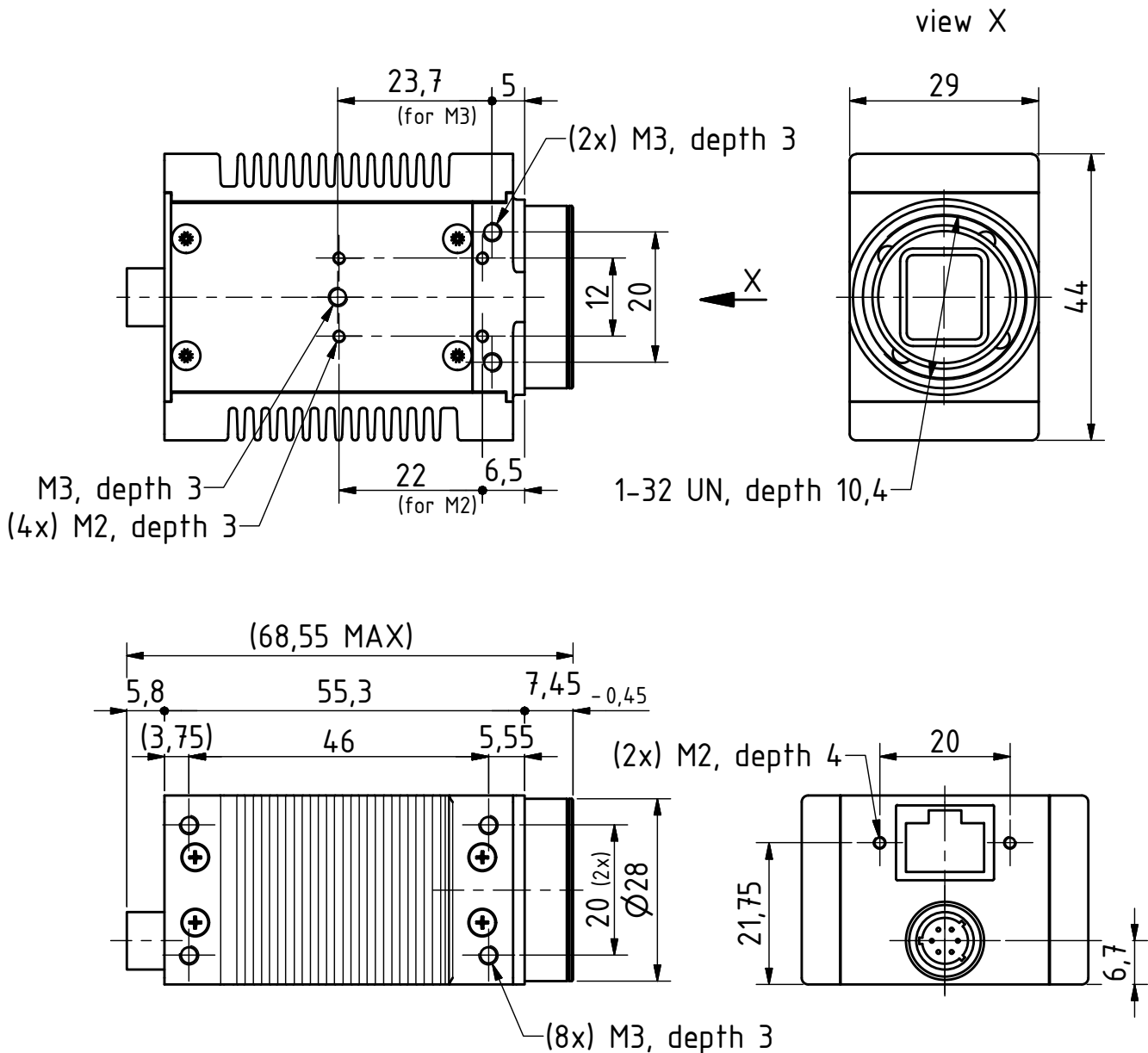


33e Series

DFK 33GP2000e

DFK 33GP5000e

(C-mount without tripod adapter)



Dimensions: mm
Tolerances: DIN ISO 2768m



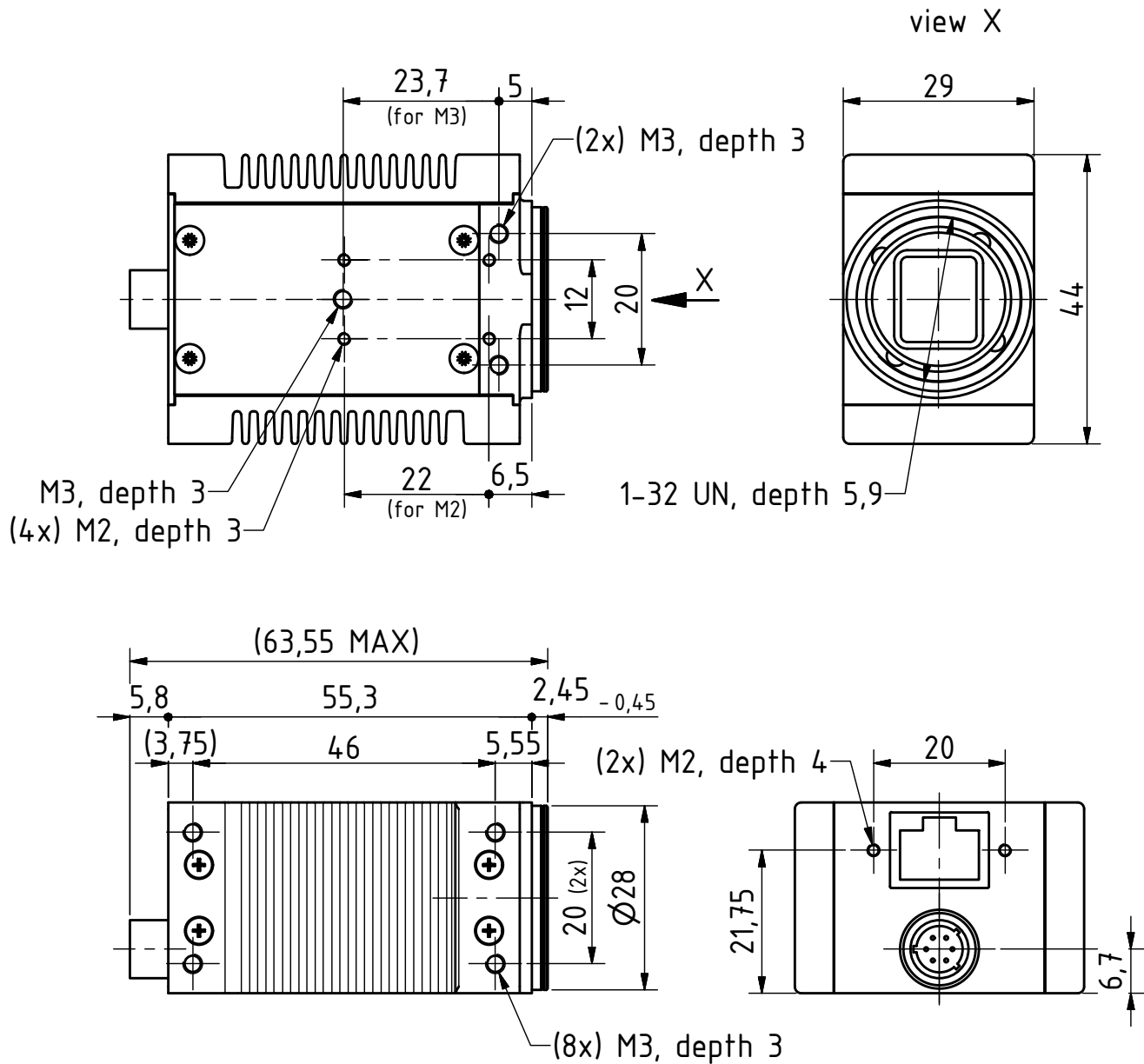


33e Series

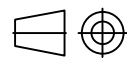
DFK 33GP2000e

DFK 33GP5000e

(CS-mount without tripod adapter)



Dimensions: mm
Tolerances: DIN ISO 2768m



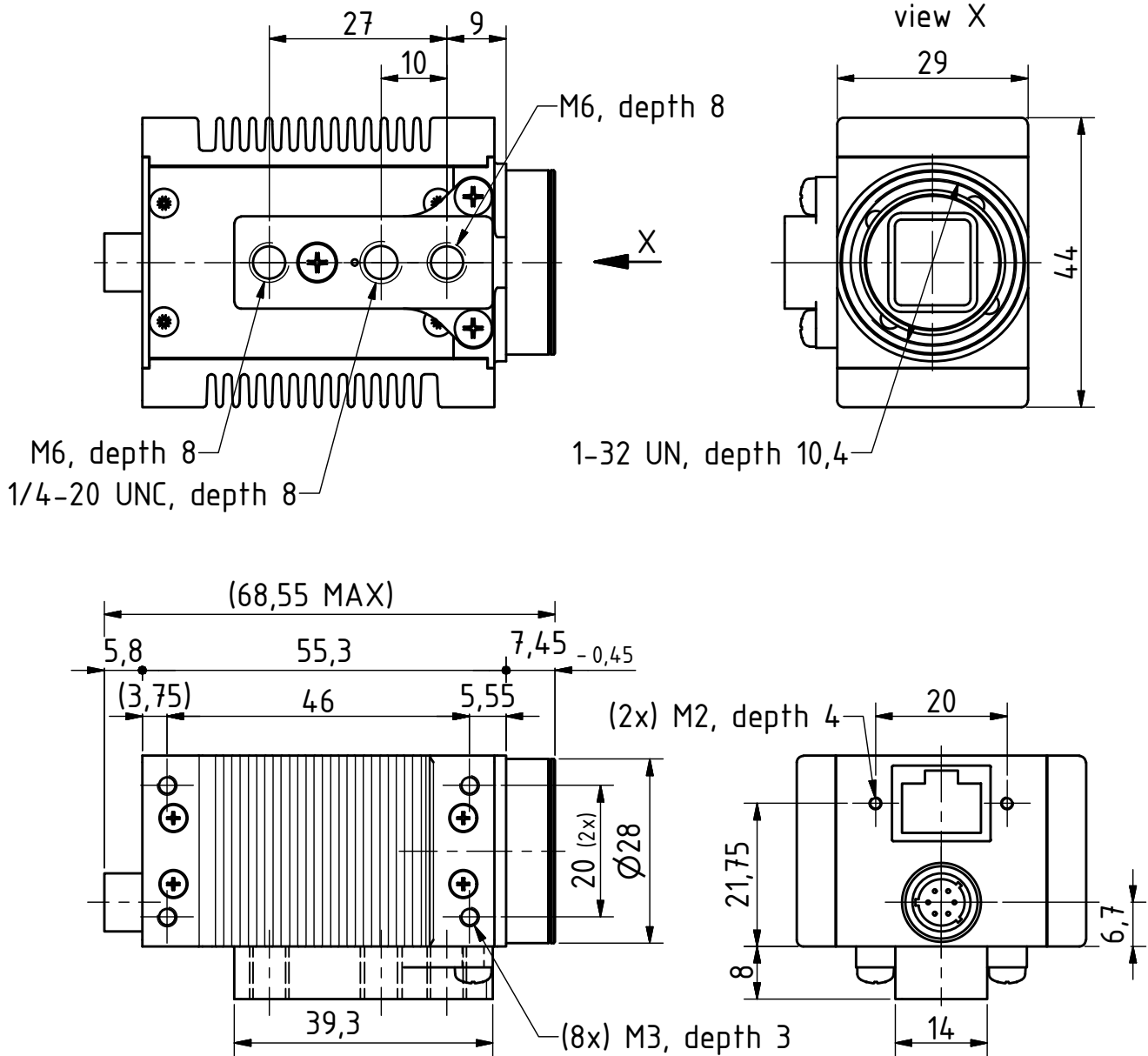


33e Series

DFK 33GP2000e

DFK 33GP5000e

(C-mount with tripod adapter)



Dimensions: mm
Tolerances: DIN ISO 2768m



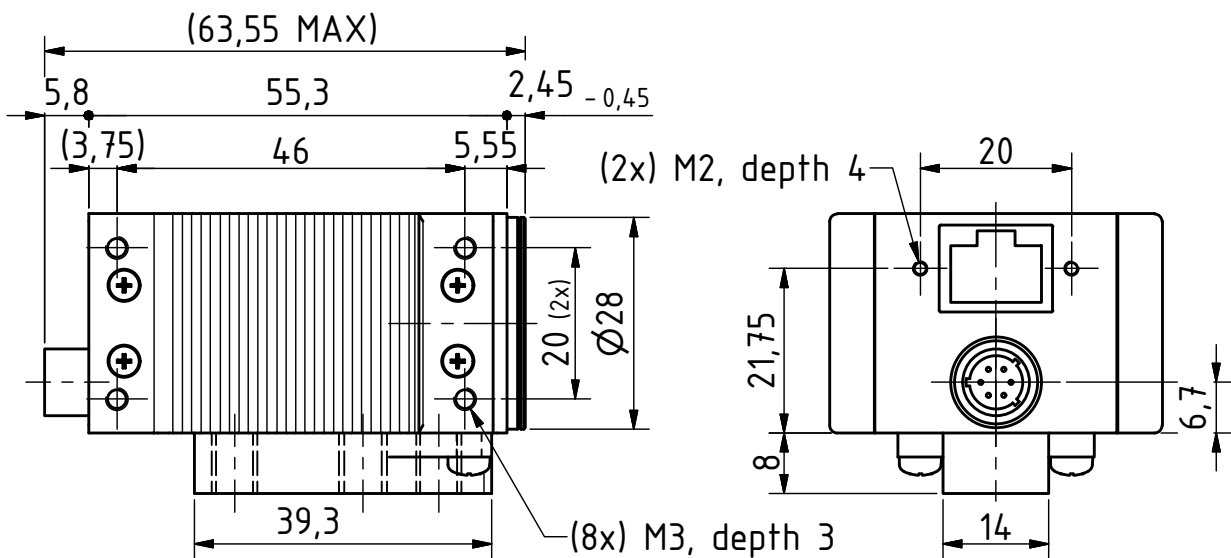
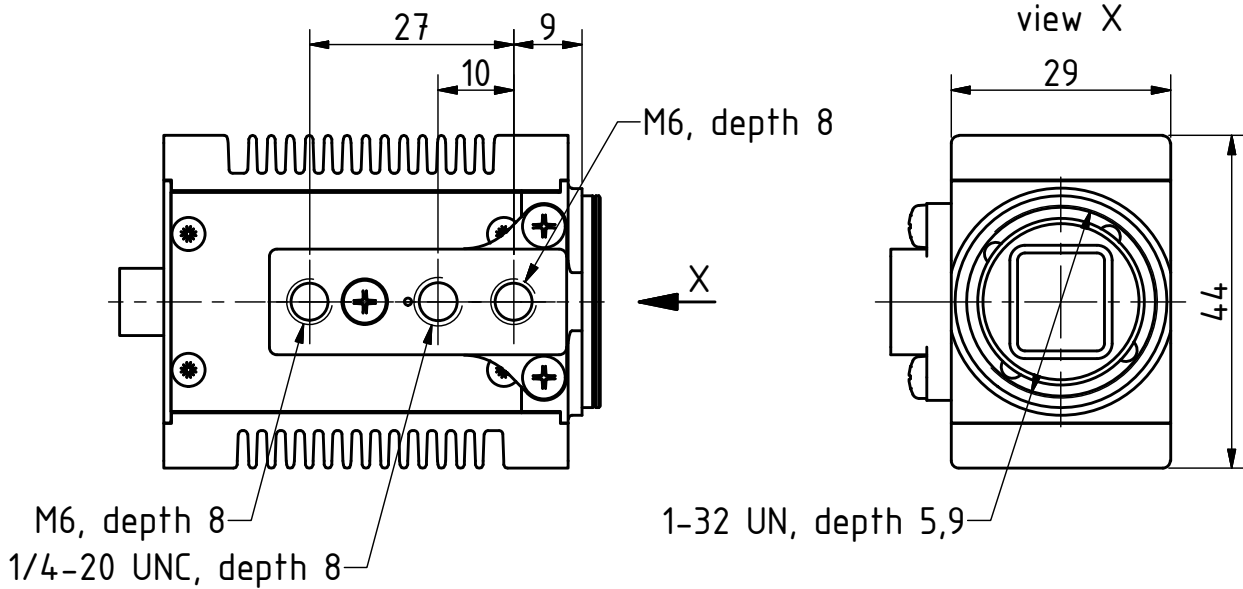


33e Series

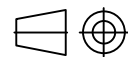
DFK 33GP2000e

DFK 33GP5000e

(CS-mount with tripod adapter)



Dimensions: mm
Tolerances: DIN ISO 2768m





Headquarters: The Imaging Source Europe GmbH
Sommerstrasse 36, D-28215 Bremen, Germany
Phone: +49 421 33591-0

North & South America: The Imaging Source, LLC
6926 Shannon Willow Rd, S 400, Charlotte, NC 28226, USA
Phone: +1 704-370-0110

Asia Pacific: The Imaging Source Asia Co. Ltd.
6F-1, No.230, Sec.3, Ba-De Road,,Song-Shan District 10555,
Taipei City, Taiwan
Phone: +886 2-2577-1228
www.theimagingsource.com

All product and company names in this document may be trademarks and tradenames of their respective owners and are hereby acknowledged.

The Imaging Source Europe GmbH cannot and does not take any responsibility or liability for any information contained in this document. The source code presented in this document is exclusively used for didactic purposes. The Imaging Source does not assume any kind of warranty expressed or implied, resulting from the use of the content of this document or the source code.

The Imaging Source Company reserves the right to make changes in specifications, function or design at any time and without prior notice.

Last update: November 2017

Copyright © 2017 The Imaging Source Europe GmbH, ddcamhouse_3.0.en_US.pdf

All rights reserved. Reprint, also in parts, only allowed with permission of The Imaging Source Europe GmbH.

All weights and dimensions are approximate. Unless otherwise specified the lenses shown in the context of cameras are not shipped with these cameras.