

**Diagonal 8mm (Type 1/2) CCD Image Sensor for CCIR Black-and-White Video Cameras**

**Description**

The ICX249AL is an interline CCD solid-state image sensor suitable for CCIR black-and-white video cameras with a diagonal 8mm (Type 1/2) system. Sensitivity, smear, D-range, S/N and other characteristics from visible light area to near infrared light area, have been greatly improved compared with the ICX039DLA through the adoption of EXview HAD CCD™ technology.

This chip features a field period readout system and an electronic shutter with variable charge-storage time.

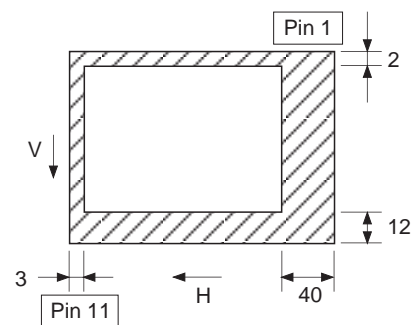
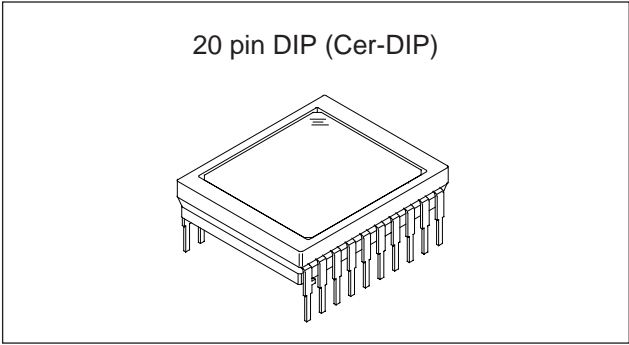
This chip is compatible with and can replace the ICX039DLA.

**Features**

- Sensitivity in the near infrared light area (+12dB compared with the ICX039DLA,  $\lambda = 945\text{nm}$ )
- High sensitivity (+9dB compared with the ICX039DLA, without IR cut filter)
- Low smear (−15dB compared with the ICX039DLA)
- High D range (+2dB compared with the ICX039DLA)
- High S/N
- High resolution and low dark current
- Excellent antiblooming characteristics
- Continuous variable-speed shutter
- Substrate bias: Adjustment free (external adjustment also possible with 6 to 14V)
- Reset gate pulse: 5Vp-p adjustment free (drive also possible with 0 to 9V)
- Horizontal register: 5V drive

**Device Structure**

- Interline CCD image sensor
- Image size: Diagonal 8mm (Type 1/2)
- Number of effective pixels: 752 (H) × 582 (V) approx. 440K pixels
- Total number of pixels: 795 (H) × 596 (V) approx. 470K pixels
- Chip size: 7.95mm (H) × 6.45mm (V)
- Unit cell size: 8.6 $\mu\text{m}$  (H) × 8.3 $\mu\text{m}$  (V)
- Optical black:
  - Horizontal (H) direction: Front 3 pixels, rear 40 pixels
  - Vertical (V) direction: Front 12 pixels, rear 2 pixels
- Number of dummy bits:
  - Horizontal 22
  - Vertical 1 (even fields only)
- Substrate material: Silicon



**Optical black position (Top View)**

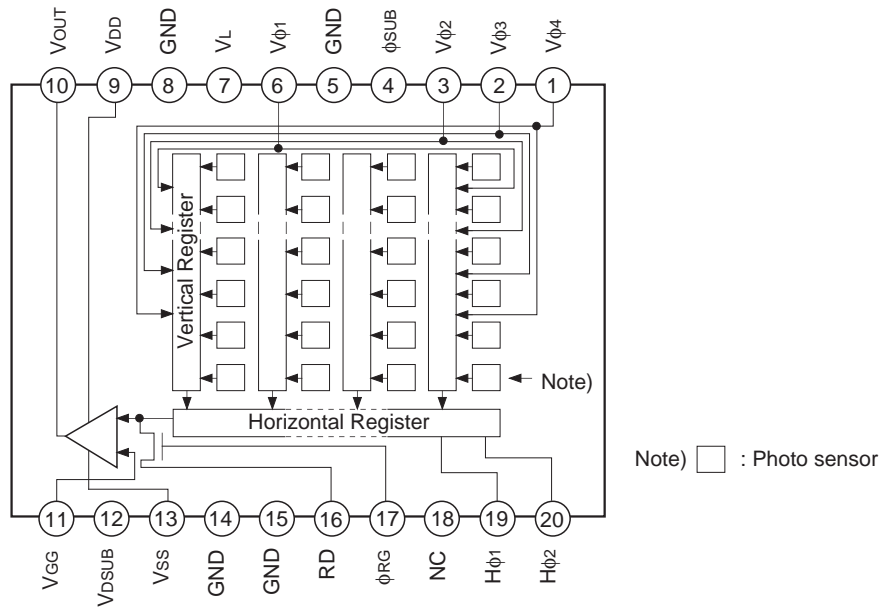
**EXview HAD CCD™**

\* EXview HAD CCD is a trademark of Sony Corporation EXview HAD CCD is a CCD that drastically improves light efficiency by including near infrared light region as a basic structure of HAD (Hole-Accumulation Diode) sensor.

Sony reserves the right to change products and specifications without prior notice. This information does not convey any license by any implication or otherwise under any patents or other right. Application circuits shown, if any, are typical examples illustrating the operation of the devices. Sony cannot assume responsibility for any problems arising out of the use of these circuits.

**Block Diagram and Pin Configuration**

(Top View)



**Pin Description**

Pin No.	Symbol	Description	Pin No.	Symbol	Description
1	V $\phi$ 4	Vertical register transfer clock	11	V <sub>GG</sub>	Output circuit gate bias
2	V $\phi$ 3	Vertical register transfer clock	12	V <sub>DSUB</sub>	Substrate bias circuit supply voltage
3	V $\phi$ 2	Vertical register transfer clock	13	V <sub>SS</sub>	Output circuit source
4	$\phi$ <sub>SUB</sub>	Substrate clock	14	GND	GND
5	GND	GND	15	GND	GND
6	V $\phi$ 1	Vertical register transfer clock	16	RD	Reset drain bias
7	V <sub>L</sub>	Protective transistor bias	17	$\phi$ <sub>RG</sub>	Reset gate clock
8	GND	GND	18	NC	
9	V <sub>DD</sub>	Output circuit supply voltage	19	H $\phi$ 1	Horizontal register transfer clock
10	V <sub>OUT</sub>	Signal output	20	H $\phi$ 2	Horizontal register transfer clock

## Absolute Maximum Ratings

Item		Ratings	Unit	Remarks
Substrate clock $\phi_{\text{SUB}} - \text{GND}$		-0.3 to +50	V	
Supply voltage	$V_{\text{DD}}, V_{\text{RD}}, V_{\text{DSUB}}, V_{\text{OUT}}, V_{\text{SS}} - \text{GND}$	-0.3 to +18	V	
	$V_{\text{DD}}, V_{\text{RD}}, V_{\text{DSUB}}, V_{\text{OUT}}, V_{\text{SS}} - \phi_{\text{SUB}}$	-55 to +10	V	
Clock input voltage	$V_{\phi 1}, V_{\phi 2}, V_{\phi 3}, V_{\phi 4} - \text{GND}$	-15 to +20	V	
	$V_{\phi 1}, V_{\phi 2}, V_{\phi 3}, V_{\phi 4} - \phi_{\text{SUB}}$	to +10	V	
Voltage difference between vertical clock input pins		to +15	V	*1
Voltage difference between horizontal clock input pins		to +17	V	
$H_{\phi 1}, H_{\phi 2} - V_{\phi 4}$		-17 to +17	V	
$\phi_{\text{RG}}, V_{\text{GG}} - \text{GND}$		-10 to +15	V	
$\phi_{\text{RG}}, V_{\text{GG}} - \phi_{\text{SUB}}$		-55 to +10	V	
$V_{\text{L}} - \phi_{\text{SUB}}$		-65 to +0.3	V	
Pins other than GND and $\phi_{\text{SUB}} - V_{\text{L}}$		-0.3 to +30	V	
Storage temperature		-30 to +80	°C	
Operating temperature		-10 to +60	°C	

\*1 +27V (Max.) when clock width < 10 $\mu$ s, clock duty factor < 0.1%.

**Bias Conditions 1 [when used in substrate bias internal generation mode]**

Item	Symbol	Min.	Typ.	Max.	Unit	Remarks	
Output circuit supply voltage	V <sub>DD</sub>	14.55	15.0	15.45	V		
Reset drain voltage	V <sub>RD</sub>	14.55	15.0	15.45	V	V <sub>RD</sub> = V <sub>DD</sub>	
Output circuit gate voltage	V <sub>GG</sub>	1.75	2.0	2.25	V		
Output circuit source	V <sub>SS</sub>	Grounded with 390Ω resistor					
Protective transistor bias	V <sub>L</sub>	*1					
Substrate bias circuit supply voltage	V <sub>DSUB</sub>	14.55	15.0	15.45	V		
Substrate clock	φ <sub>SUB</sub>	*2					

\*1 V<sub>L</sub> setting is the V<sub>VL</sub> voltage of the vertical transfer clock waveform, or the same power supply as the V<sub>L</sub> power supply for the V driver should be used. (When CXD1267AN is used.)

\*2 Do not apply a DC bias to the substrate clock pin, because a DC bias is generated within the CCD.

**Bias Conditions 2 [when used in substrate bias external adjustment mode]**

Item	Symbol	Min.	Typ.	Max.	Unit	Remarks	
Output circuit supply voltage	V <sub>DD</sub>	14.55	15.0	15.45	V		
Reset drain voltage	V <sub>RD</sub>	14.55	15.0	15.45	V	V <sub>RD</sub> = V <sub>DD</sub>	
Output circuit gate voltage	V <sub>GG</sub>	1.75	2.0	2.25	V		
Output circuit source	V <sub>SS</sub>	Grounded with 390Ω resistor					
Protective transistor bias	V <sub>L</sub>	*3					
Substrate bias circuit supply voltage	V <sub>DSUB</sub>	*4					
Substrate voltage adjustment range	V <sub>SUB</sub>	6.0		14.0	V	*5	
Substrate voltage adjustment precision	ΔV <sub>SUB</sub>	-3		+3	%	*5	

\*3 V<sub>L</sub> setting is the V<sub>VL</sub> voltage of the vertical transfer clock waveform, or the same power supply as the V<sub>L</sub> power supply for the V driver should be used. (When CXD1267AN is used.)

\*4 Connect to GND or leave open.

\*5 The setting value of the substrate voltage (V<sub>SUB</sub>) is indicated on the back of the image sensor by a special code. When adjusting the substrate voltage externally, adjust the substrate voltage to the indicated voltage. The adjustment precision is ±3%. However, this setting value has not significance when used in substrate bias internal generation mode.

V<sub>SUB</sub> code — one character indication

Code and optimal setting correspond to each other as follows.

V <sub>SUB</sub> code	E	f	G	h	J	K	L	m	N	P	Q	R	S	T	U	V	W
Optimal setting	6.0	6.5	7.0	7.5	8.0	8.5	9.0	9.5	10.0	10.5	11.0	11.5	12.0	12.5	13.0	13.5	14.0

<Example> "L" → V<sub>SUB</sub> = 9.0V

**DC Characteristics**

Item	Symbol	Min.	Typ.	Max.	Unit	Remarks
Output circuit supply current	I <sub>DD</sub>		5.0	10.0	mA	

## Clock Voltage Conditions

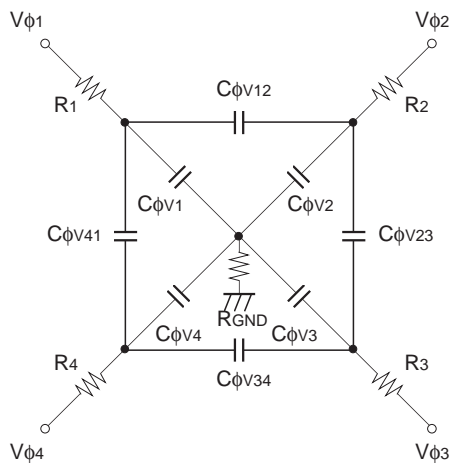
Item	Symbol	Min.	Typ.	Max.	Unit	Waveform diagram	Remarks
Readout clock voltage	$V_{VT}$	14.55	15.0	15.45	V	1	
Vertical transfer clock voltage	$V_{VH1}, V_{VH2}$	-0.05	0	0.05	V	2	$V_{VH} = (V_{VH1} + V_{VH2})/2$
	$V_{VH3}, V_{VH4}$	-0.2	0	0.05	V	2	
	$V_{VL1}, V_{VL2}, V_{VL3}, V_{VL4}$	-9.6	-9.0	-8.5	V	2	$V_{VL} = (V_{VL3} + V_{VL4})/2$
	$V_{\phi V}$	8.3	9.0	9.65	Vp-p	2	$V_{\phi V} = V_{VnH} - V_{VnL} (n = 1 \text{ to } 4)$
	$ V_{VH1} - V_{VH2} $			0.1	V	2	
	$V_{VH3} - V_{VH}$	-0.25		0.1	V	2	
	$V_{VH4} - V_{VH}$	-0.25		0.1	V	2	
	$V_{VHH}$			0.5	V	2	High-level coupling
	$V_{VHL}$			0.5	V	2	High-level coupling
	$V_{VLH}$			0.5	V	2	Low-level coupling
	$V_{VLL}$			0.5	V	2	Low-level coupling
Horizontal transfer clock voltage	$V_{\phi H}$	4.75	5.0	5.25	Vp-p	3	
	$V_{HL}$	-0.05	0	0.05	V	3	
Reset gate clock voltage*1	$V_{RGL}$	*1			V	4	
	$V_{\phi RG}$	4.5	5.0	5.5	Vp-p	4	
	$V_{RGLH} - V_{RGLL}$			0.8	V	4	Low-level coupling
Substrate clock voltage	$V_{\phi SUB}$	23.0	24.0	25.0	Vp-p	5	

\*1 Input the reset gate clock without applying a DC bias. In addition, the reset gate clock can also be driven with the following specifications.

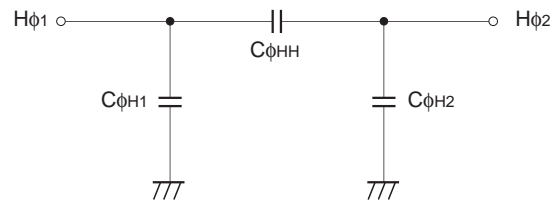
Item	Symbol	Min.	Typ.	Max.	Unit	Waveform diagram	Remarks
Reset gate clock voltage	$V_{RGL}$	-0.2	0	0.2	V	4	
	$V_{\phi RG}$	8.5	9.0	9.5	Vp-p	4	

**Clock Equivalent Circuit Constant**

Item	Symbol	Min.	Typ.	Max.	Unit	Remarks
Capacitance between vertical transfer clock and GND	$C\phi_{V1}, C\phi_{V3}$		1800		pF	
	$C\phi_{V2}, C\phi_{V4}$		2200		pF	
Capacitance between vertical transfer clocks	$C\phi_{V12}, C\phi_{V34}$		450		pF	
	$C\phi_{V23}, C\phi_{V41}$		270		pF	
Capacitance between horizontal transfer clock and GND	$C\phi_{H1}$		64		pF	
	$C\phi_{H2}$		62		pF	
Capacitance between horizontal transfer clocks	$C\phi_{HH}$		47		pF	
Capacitance between reset gate clock and GND	$C\phi_{RG}$		8		pF	
Capacitance between substrate clock and GND	$C\phi_{SUB}$		400		pF	
Vertical transfer clock series resistor	$R_1, R_2, R_3, R_4$		68		$\Omega$	
Vertical transfer clock ground resistor	$R_{GND}$		15		$\Omega$	



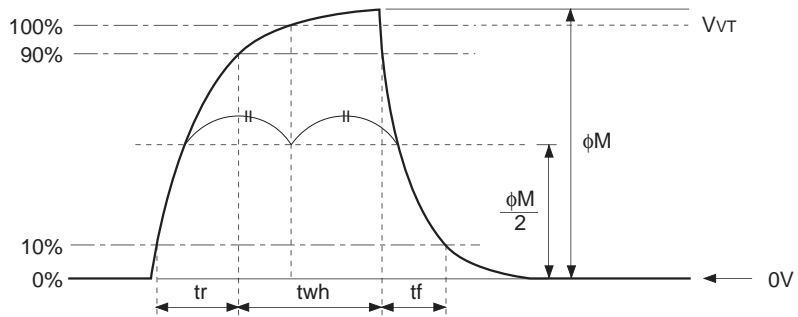
**Vertical transfer clock equivalent circuit**



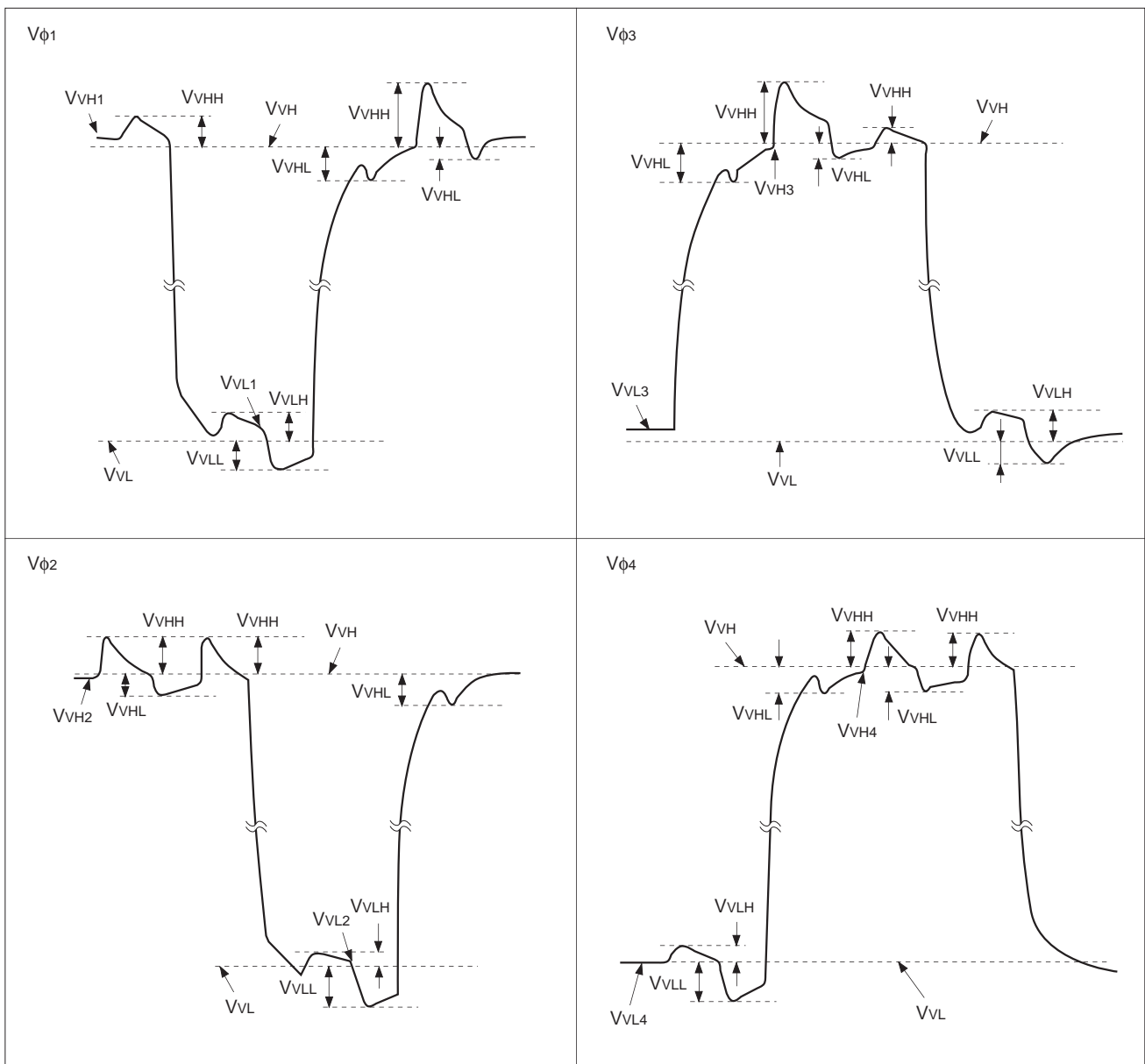
**Horizontal transfer clock equivalent circuit**

Drive Clock Waveform Conditions

(1) Readout clock waveform



(2) Vertical transfer clock waveform

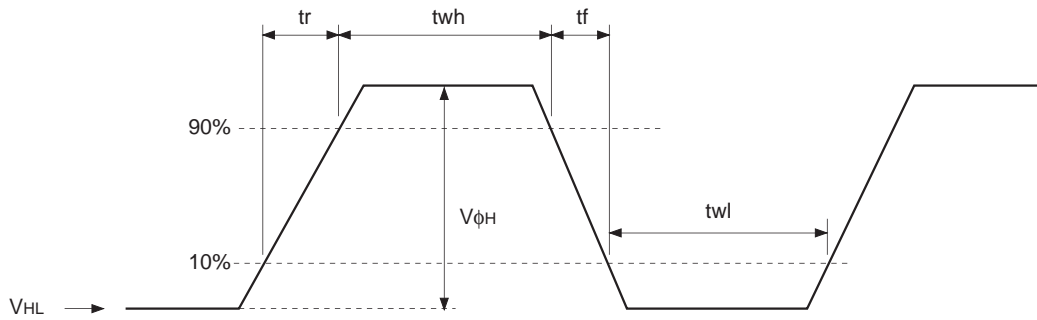


$$V_{VH} = (V_{VH1} + V_{VH2})/2$$

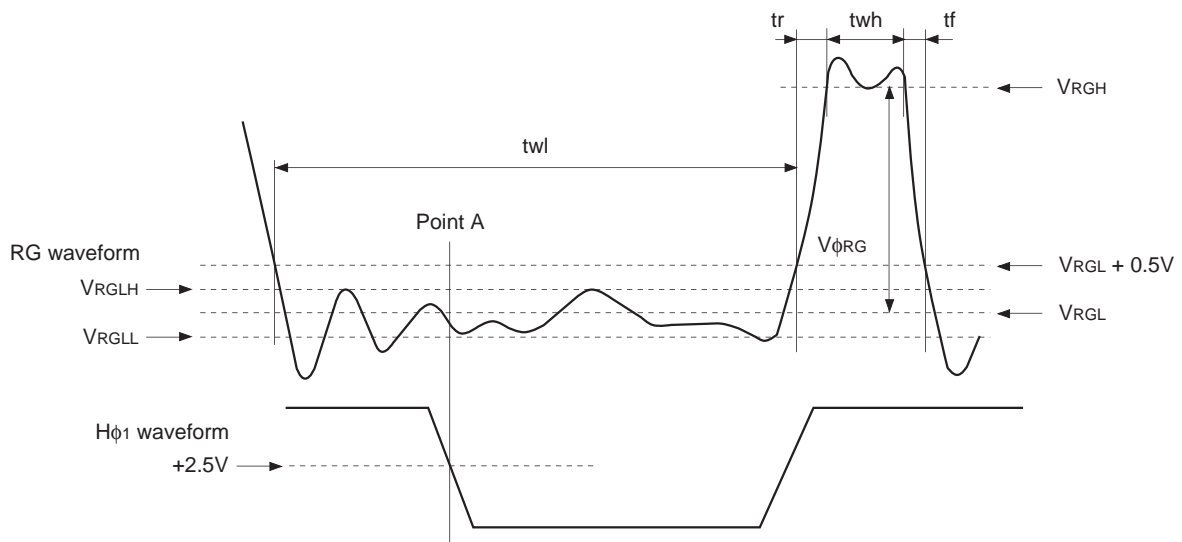
$$V_{VL} = (V_{VL3} + V_{VL4})/2$$

$$V_{\phi V} = V_{VnH} - V_{VnL} \quad (n = 1 \text{ to } 4)$$

(3) Horizontal transfer clock waveform



(4) Reset gate clock waveform



$V_{RGLH}$  is the maximum value and  $V_{RGLL}$  is the minimum value of the coupling waveform during the period from Point A in the above diagram until the rising edge of RG. In addition,  $V_{RGL}$  is the average value of  $V_{RGLH}$  and  $V_{RGLL}$ .

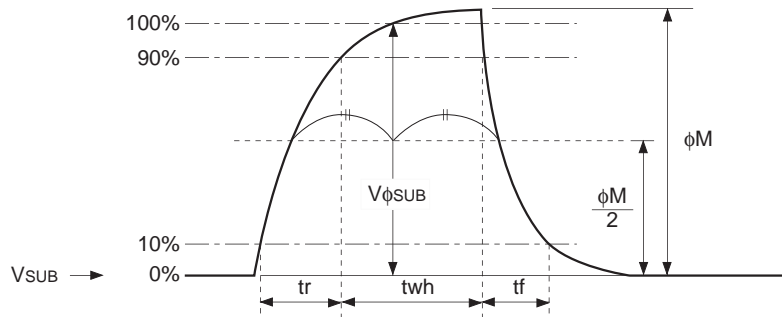
$$V_{RGL} = (V_{RGLH} + V_{RGLL})/2$$

Assuming  $V_{RGH}$  is the minimum value during the interval  $t_{wh}$ , then:

$$V_{\phi RG} = V_{RGH} - V_{RGL}$$



(5) Substrate clock waveform



Clock Switching Characteristics

Item	Symbol	twh			twl			tr			tf			Unit	Remarks
		Min.	Typ.	Max.	Min.	Typ.	Max.	Min.	Typ.	Max.	Min.	Typ.	Max.		
Readout clock	$V_T$	2.3	2.5							0.5			0.5		$\mu s$ During readout
Vertical transfer clock	$V_{\phi 1}, V_{\phi 2}, V_{\phi 3}, V_{\phi 4}$											15		250	ns *1
Horizontal transfer clock	During imaging		20			20			15	19		15	19	ns	*2
	During parallel-serial conversion	$H_{\phi 1}$		5.38					0.01			0.01		$\mu s$	
		$H_{\phi 2}$				5.38			0.01			0.01		$\mu s$	
Reset gate clock	$\phi_{RG}$	11	13			51			3			3		ns	
Substrate clock	$\phi_{SUB}$	1.5	1.8							0.5			0.5	$\mu s$	During drain charge

\*1 When vertical transfer clock driver CXD1267AN is used.

\*2  $t_f \geq t_r - 2ns$ .

Item	Symbol	two			Unit	Remarks
		Min.	Typ.	Max.		
Horizontal transfer clock	$H_{\phi 1}, H_{\phi 2}$	16	20		ns	*3

\*3 The overlap period for twh and twl of horizontal transfer clocks  $H_{\phi 1}$  and  $H_{\phi 2}$  is two.

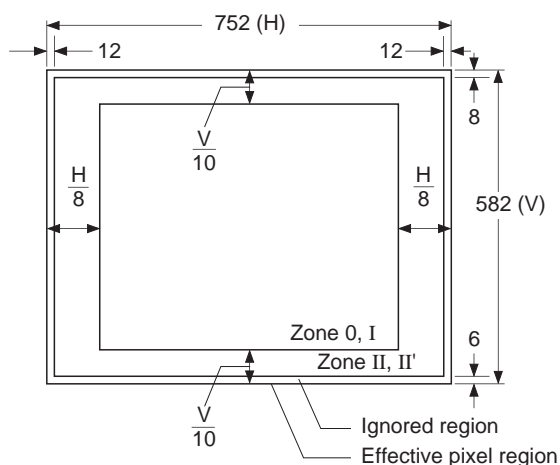
Image Sensor Characteristics

(Ta = 25°C)

Item	Symbol	Min.	Typ.	Max.	Unit	Measurement method	Remarks
Sensitivity	S	4500	5500		mV	1	*1
Saturation signal	Vsat	900			mV	2	Ta = 60°C
Smear	Sm		0.00005	0.00018	%	3	
Video signal shading	SH			20	%	4	Zone 0 and I
				25	%	4	Zone 0 to II'
Dark signal	Vdt			2	mV	5	Ta = 60°C
Dark signal shading	$\Delta Vdt$			1	mV	6	Ta = 60°C
Flicker	F			2	%	7	
Lag	Lag			0.5	%	8	

\*1 Sensitivity data is the conversion value by Measurement method 1.

Zone Definition of Video Signal Shading



## Image Sensor Characteristics Measurement Method

### ◎ Measurement conditions

- 1) In the following measurements, the device drive conditions are at the typical values of the bias and clock voltage conditions. (When used with substrate bias external adjustment, set the substrate voltage to the value indicated on the device and connect V<sub>DSUB</sub> pin to GND or leave it open.)
- 2) In the following measurements, spot blemishes are excluded and, unless otherwise specified, the optical black (OB) level is used as the reference for the signal output, and the value measured at point [\*A] in the drive circuit example is used.

### ◎ Definition of standard imaging conditions

- 1) Standard imaging condition I:  
Use a pattern box (luminance: 706cd/m<sup>2</sup>, color temperature of 3200K halogen source) as a subject. (Pattern for evaluation is not applicable.) Use a testing standard lens and image at F8. The luminous intensity to the sensor receiving surface at this point is defined as the standard sensitivity testing luminous intensity. (IR cut filter is not applicable.)
- 2) Standard imaging condition II:  
Image a light source (color temperature of 3200K) with a uniformity of brightness within 2% at all angles. Use a testing standard lens and the luminous intensity is adjusted to the value indicated in each testing item by the lens diaphragm. (IR cut filter is not applicable.)

#### 1. Sensitivity

Set to standard imaging condition I. After selecting the electronic shutter mode with a shutter speed of 1/500s, measure the signal output (V<sub>s</sub>) at the center of the screen and substitute the value into the following formula.

$$S = V_s \times \frac{500}{50} \text{ [mV]}$$

#### 2. Saturation signal

Set to standard imaging condition II. After adjusting the luminous intensity to 10 times the intensity with the average value of the signal output, 200mV, measure the minimum value of the signal output.

#### 3. Smear

Set to standard imaging condition II. Adjust the luminous intensity to 500 times the intensity with the average value of the signal output, 200mV. When the readout clock is stopped and the charge drain is executed by the electronic shutter at the respective H blankings, measure the maximum value (V<sub>Sm</sub> [mV]) of the signal output and substitute the value into the following formula.

$$S_m = \frac{V_{Sm}}{200} \times \frac{1}{500} \times \frac{1}{10} \times 100 \text{ [%]} \text{ (1/10V method conversion value)}$$

#### 4. Video signal shading

Set to standard imaging condition II. Adjust the luminous intensity so that the average value of the signal output is 200mV. Then measure the maximum (V<sub>max</sub> [mV]) and minimum (V<sub>min</sub> [mV]) values of the signal output and substitute the values into the following formula.

$$SH = (V_{max} - V_{min})/200 \times 100 \text{ [%]}$$

5. Dark signal

Measure the average value of the signal output (Vdt [mV]) with the device ambient temperature 60°C and the device in the light-obstructed state, using the horizontal idle transfer level as a reference.

6. Dark signal shading

After measuring 5, measure the maximum (Vdmax [mV]) and minimum (Vdmin [mV]) values of the dark signal output and substitute the values into the following formula.

$$\Delta Vdt = Vdmax - Vdmin \text{ [mV]}$$

7. Flicker

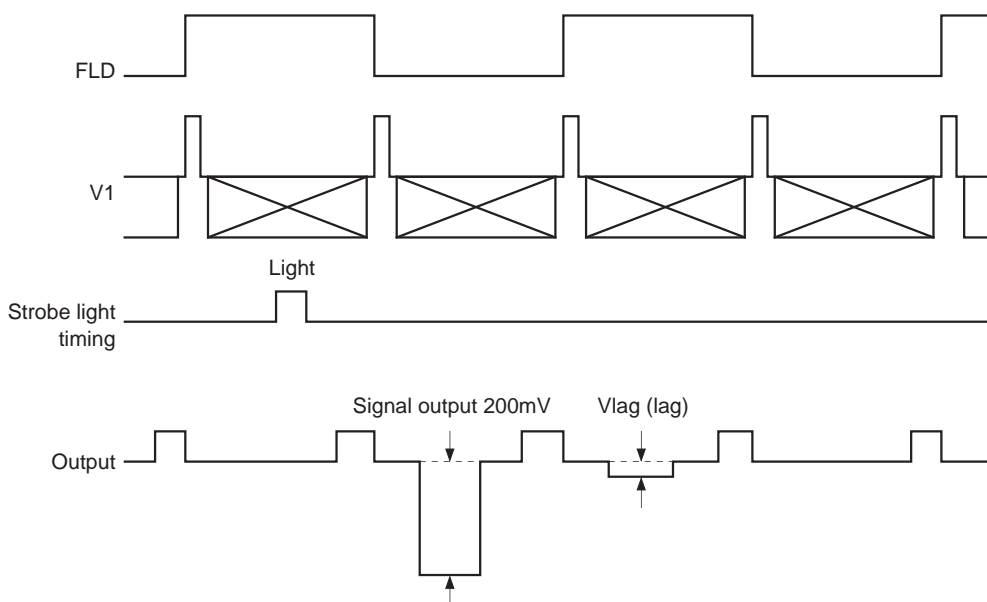
Set to standard imaging condition II. Adjust the luminous intensity so that the average value of the signal output is 200mV, and then measure the difference in the signal level between fields ( $\Delta V_f$  [mV]). Then substitute the value into the following formula.

$$F = (\Delta V_f / 200) \times 100 \text{ [%]}$$

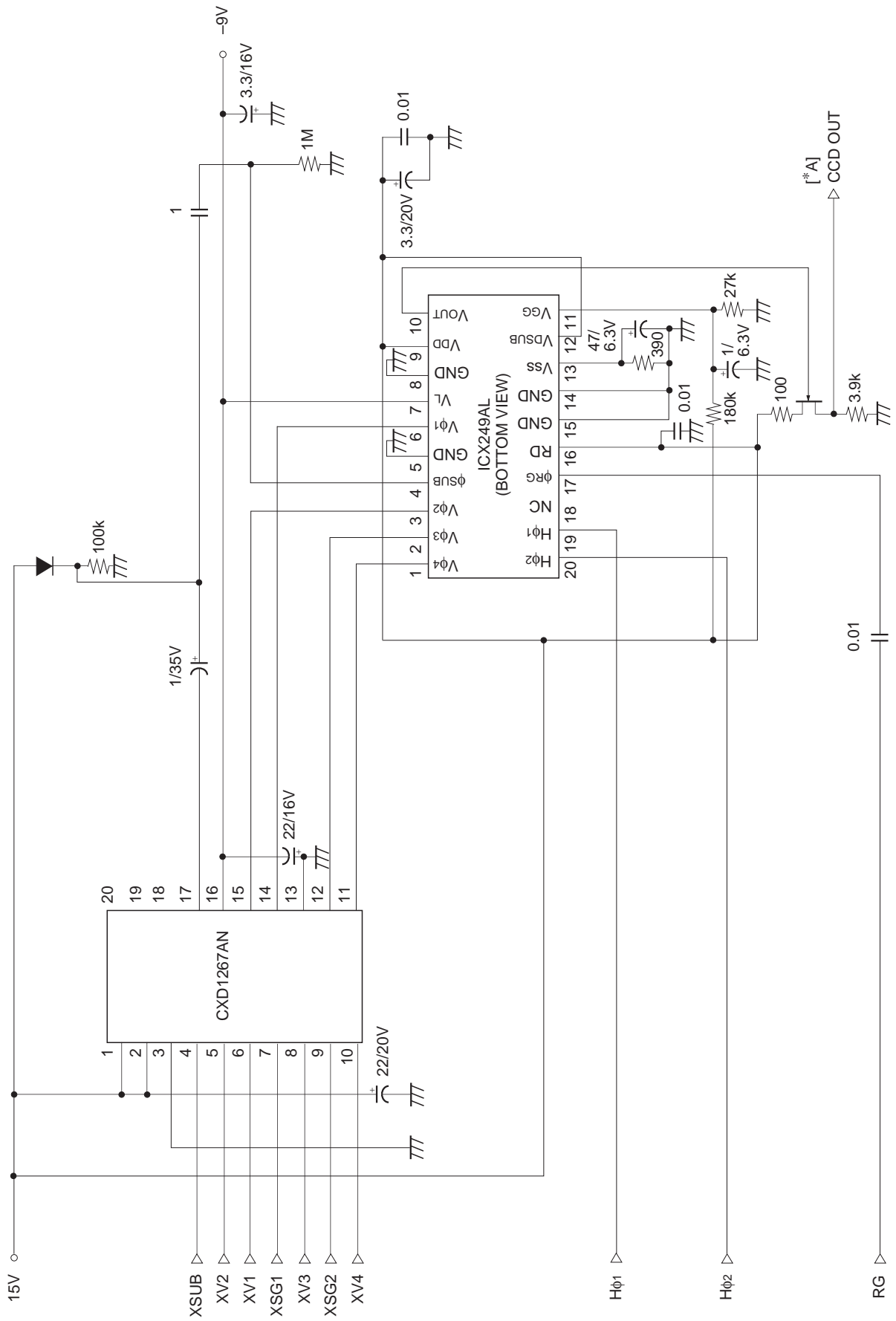
8. Lag

Adjust the signal output value generated by strobe light to 200mV. After setting the strobe light so that it strobes with the following timing, measure the residual signal (Vlag). Substitute the value into the following formula.

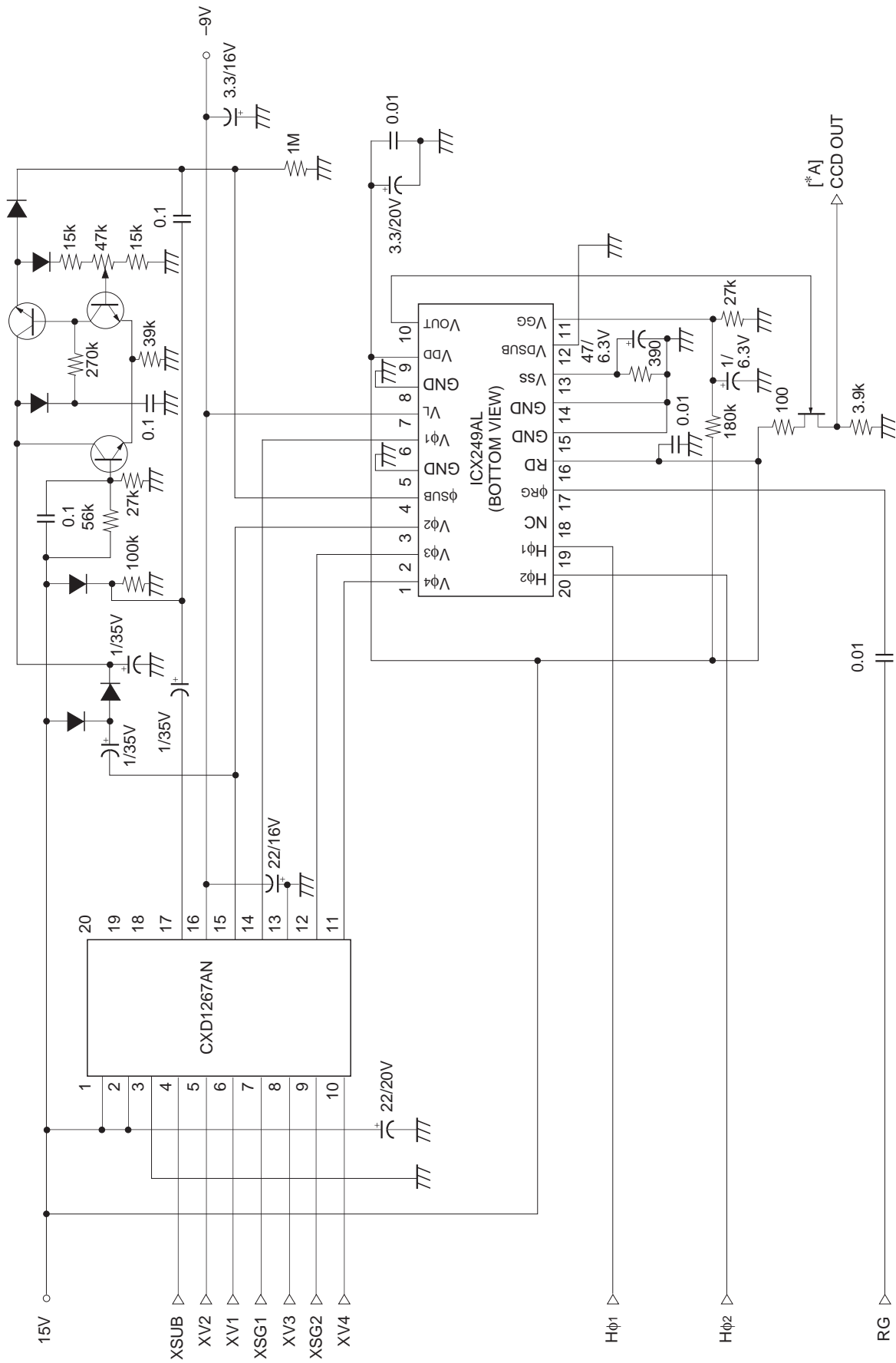
$$\text{Lag} = (V_{\text{lag}} / 200) \times 100 \text{ [%]}$$



Drive Circuit 1 (substrate bias internal generation mode)

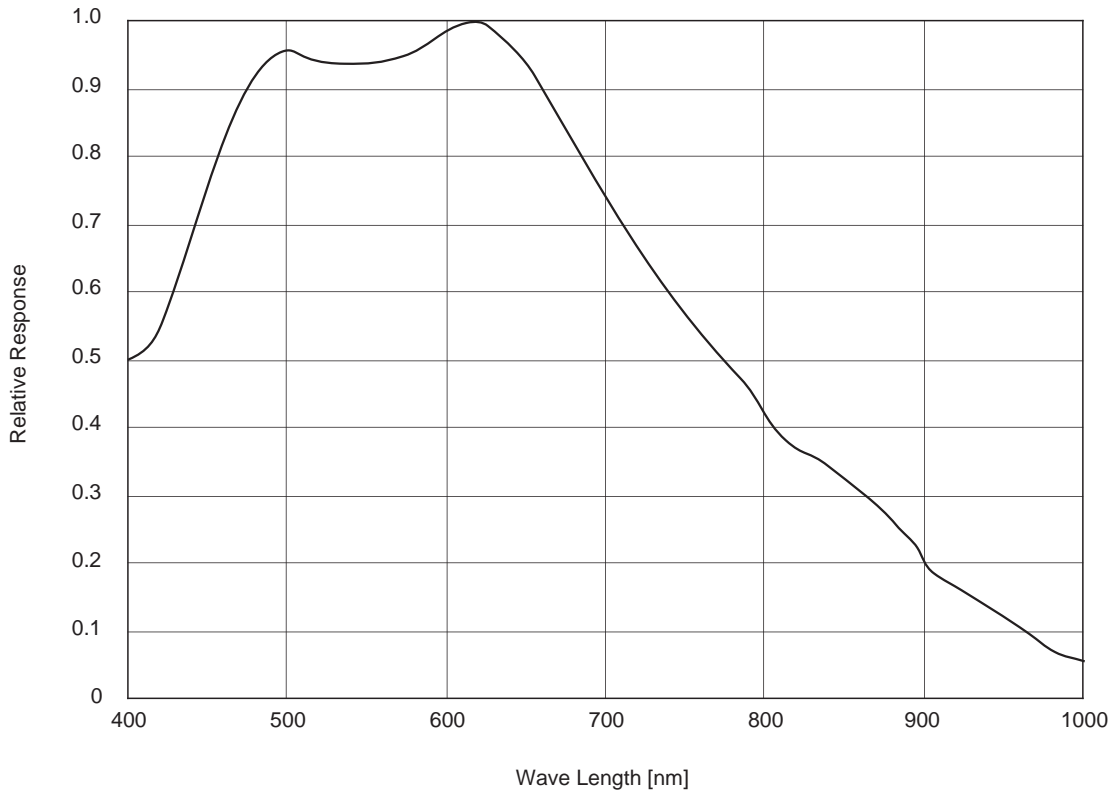


Drive Circuit 2 (substrate bias external adjustment mode)

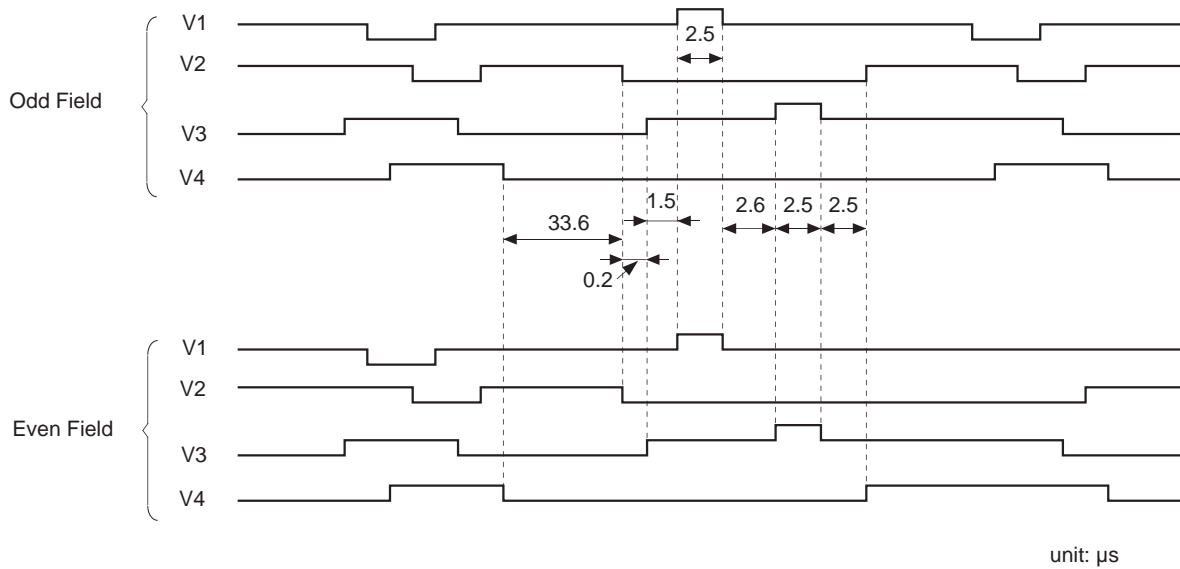


**Spectral Sensitivity Characteristics**

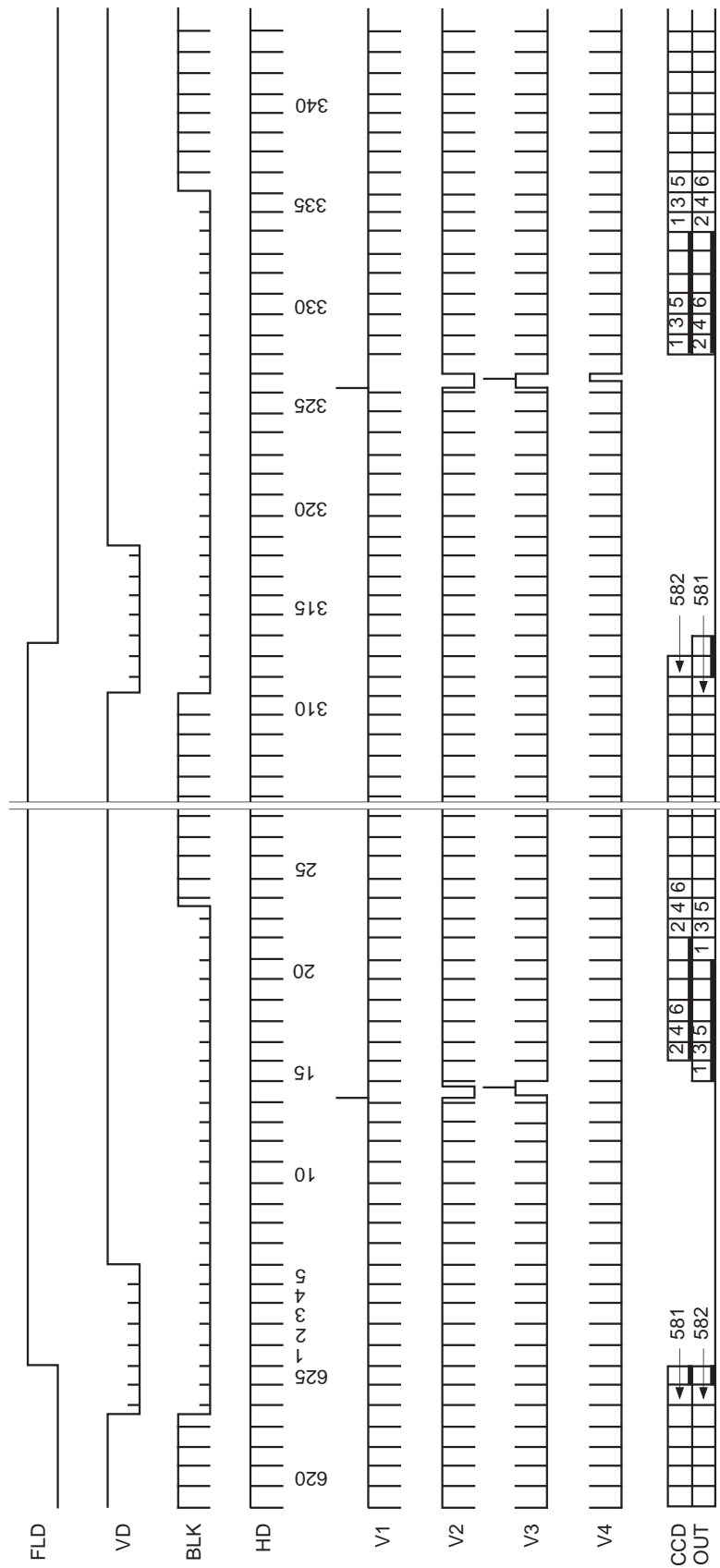
(Includes lens characteristics, excludes light source characteristics)



**Sensor Readout Clock Timing Chart**

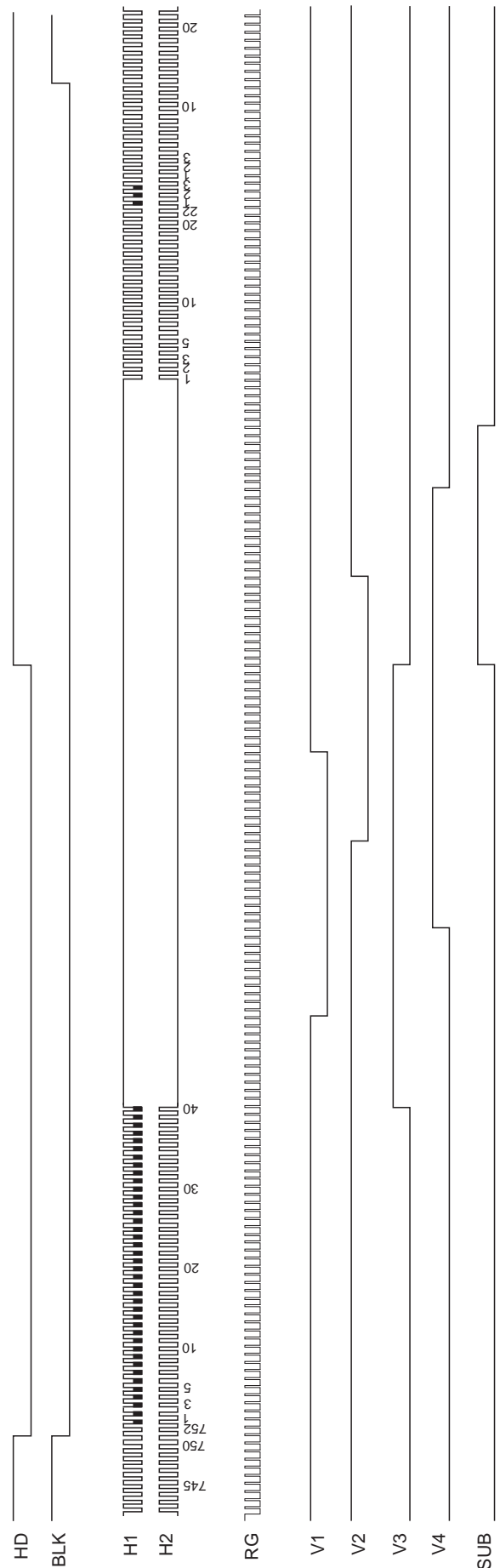


Drive Timing Chart (Vertical Sync)





Drive Timing Chart (Horizontal Sync)



## Notes on Handling

### 1) Static charge prevention

CCD image sensors are easily damaged by static discharge. Before handling be sure to take the following protective measures.

- a) Either handle bare handed or use non-chargeable gloves, clothes or material.  
Also use conductive shoes.
- b) When handling directly use an earth band.
- c) Install a conductive mat on the floor or working table to prevent the generation of static electricity.
- d) Ionized air is recommended for discharge when handling CCD image sensor.
- e) For the shipment of mounted substrates, use boxes treated for the prevention of static charges.

### 2) Soldering

- a) Make sure the package temperature does not exceed 80°C.
- b) Solder dipping in a mounting furnace causes damage to the glass and other defects. Use a ground 30W soldering iron and solder each pin in less than 2 seconds. For repairs and remount, cool sufficiently.
- c) To dismount an image sensor, do not use a solder suction equipment. When using an electric desoldering tool, use a thermal controller of the zero cross On/Off type and connect it to ground.

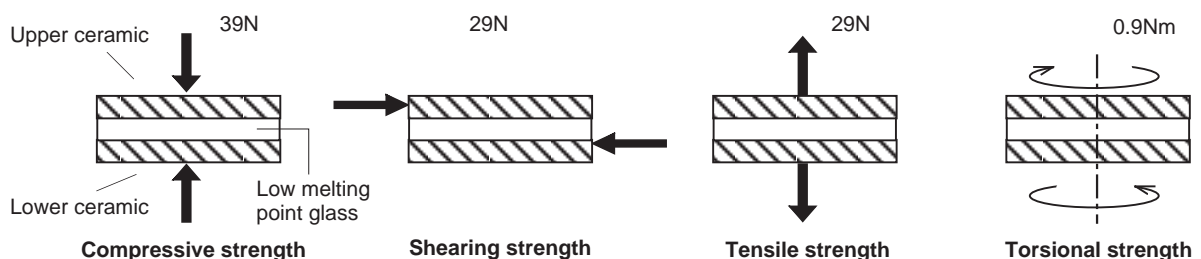
### 3) Dust and dirt protection

Image sensors are packed and delivered by taking care of protecting its glass plates from harmful dust and dirt. Clean glass plates with the following operation as required, and use them.

- a) Perform all assembly operations in a clean room (class 1000 or less).
- b) Do not either touch glass plates by hand or have any object come in contact with glass surfaces. Should dirt stick to a glass surface, blow it off with an air blower. (For dirt stuck through static electricity ionized air is recommended.)
- c) Clean with a cotton bud and ethyl alcohol if the grease stained. Be careful not to scratch the glass.
- d) Keep in a case to protect from dust and dirt. To prevent dew condensation, preheat or precool when moving to a room with great temperature differences.
- e) When a protective tape is applied before shipping, just before use remove the tape applied for electrostatic protection. Do not reuse the tape.

### 4) Installing (attaching)

- a) Remain within the following limits when applying a static load to the package. Do not apply any load more than 0.7mm inside the outer perimeter of the glass portion, and do not apply any load or impact to limited portions. (This may cause cracks in the package.)



- b) If a load is applied to the entire surface by a hard component, bending stress may be generated and the package may fracture, etc., depending on the flatness of the ceramic portions. Therefore, for installation, use either an elastic load, such as a spring plate, or an adhesive.

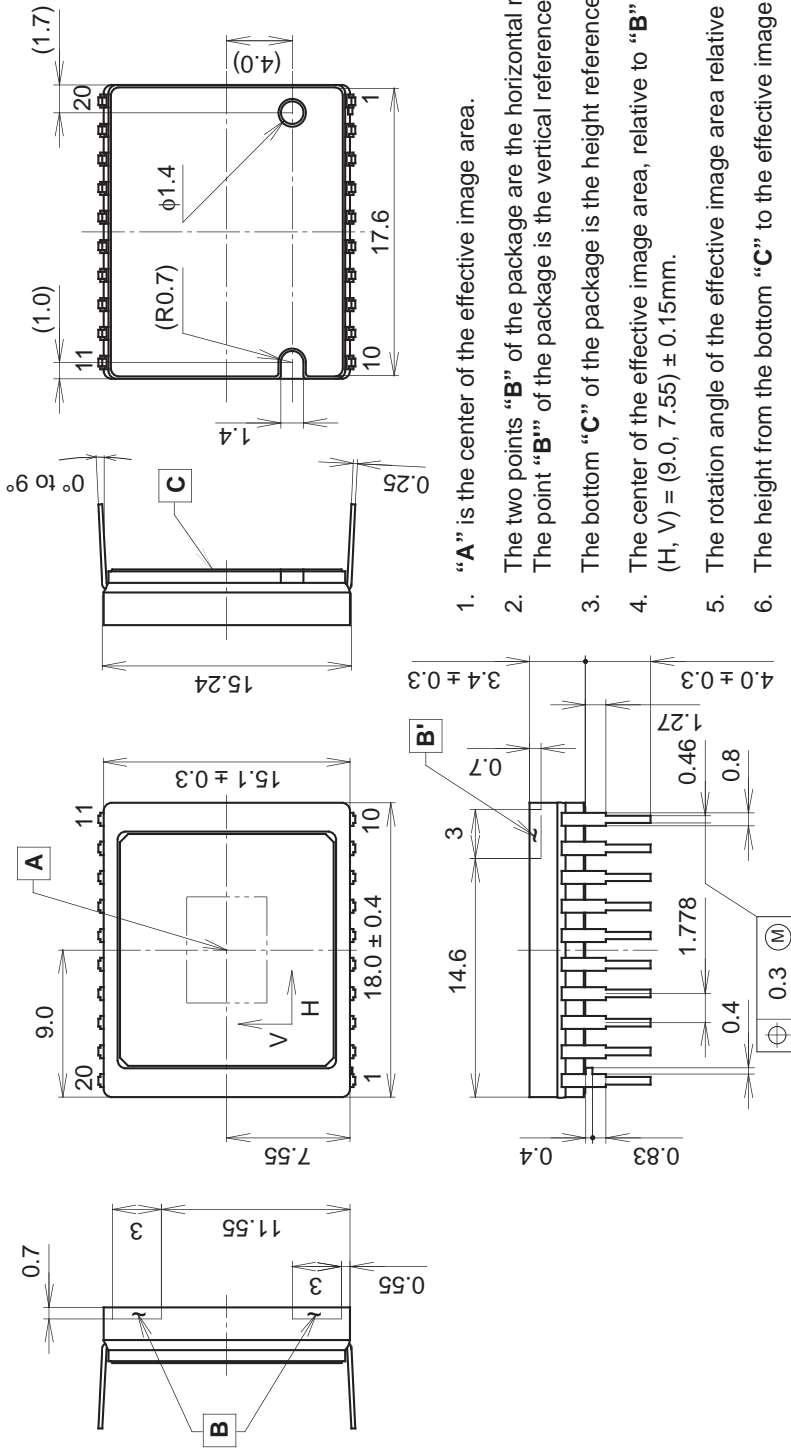
- c) The adhesive may cause the marking on the rear surface to disappear, especially in case the regulated voltage value is indicated on the rear surface. Therefore, the adhesive should not be applied to this area, and indicated values should be transferred to other locations as a precaution.
- d) The upper and lower ceramic are joined by low melting point glass. Therefore, care should be taken not to perform the following actions as this may cause cracks.
- Applying repeated bending stress to the outer leads.
  - Heating the outer leads for an extended period with a soldering iron.
  - Rapidly cooling or heating the package.
  - Applying any load or impact to a limited portion of the low melting point glass using tweezers or other sharp tools.
  - Prying at the upper or lower ceramic using the low melting point glass as a fulcrum.
- Note that the same cautions also apply when removing soldered products from boards.
- e) Acrylate anaerobic adhesives are generally used to attach CCD image sensors. In addition, cyanoacrylate instantaneous adhesives are sometimes used jointly with acrylate anaerobic adhesives. (reference)

#### 5) Others

- a) Do not expose to strong light (sun rays) for long periods. For continuous using under cruel condition exceeding the normal using condition, consult our company.
- b) Exposure to high temperature or humidity will affect the characteristics. Accordingly avoid storage or usage in such conditions.
- c) This CCD image sensor has sensitivity in the near infrared area. Its focus may not match in the same condition under visible light /near infrared light because of aberration.

Package Outline Unit: mm

20pin DIP (600mil)



1. "A" is the center of the effective image area.
2. The two points "B" of the package are the horizontal reference. The point "B'" of the package is the vertical reference.
3. The bottom "C" of the package is the height reference.
4. The center of the effective image area, relative to "B" and "B'" is (H, V) = (9.0, 7.55) ± 0.15mm.
5. The rotation angle of the effective image area relative to H and V is ± 1°.
6. The height from the bottom "C" to the effective image area is 1.41 ± 0.15mm.
7. The tilt of the effective image area relative to the bottom "C" is less than 60µm.
8. The thickness of the cover glass is 0.75mm, and the refractive index is 1.5.
9. The notch and the hole on the bottom must not be used for reference of fixing.

PACKAGE STRUCTURE

PACKAGE MATERIAL	Cer-DIP
LEAD TREATMENT	TIN PLATING
LEAD MATERIAL	42 ALLOY
PACKAGE WEIGHT	2.6g